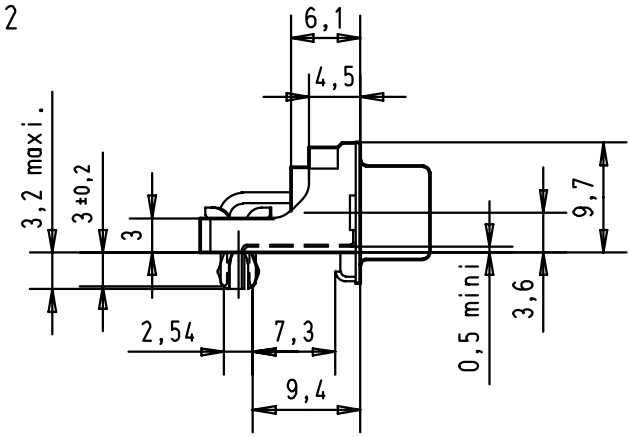
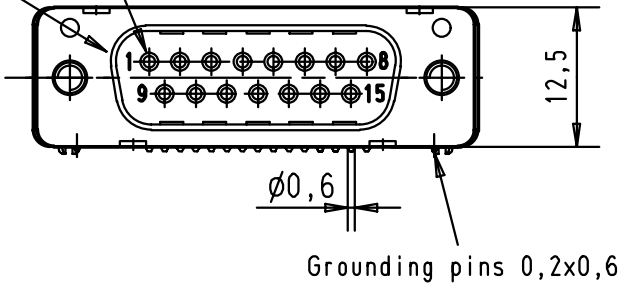


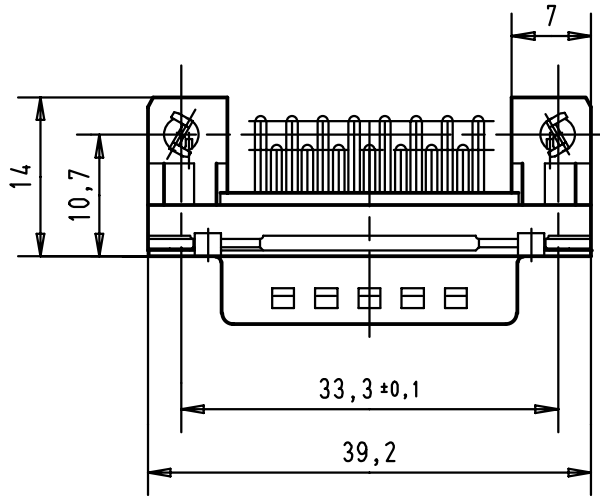
5 4 3 2 1

Mating face according to MIL-C-24308 / DIN 41 652 / CECC 75301-802

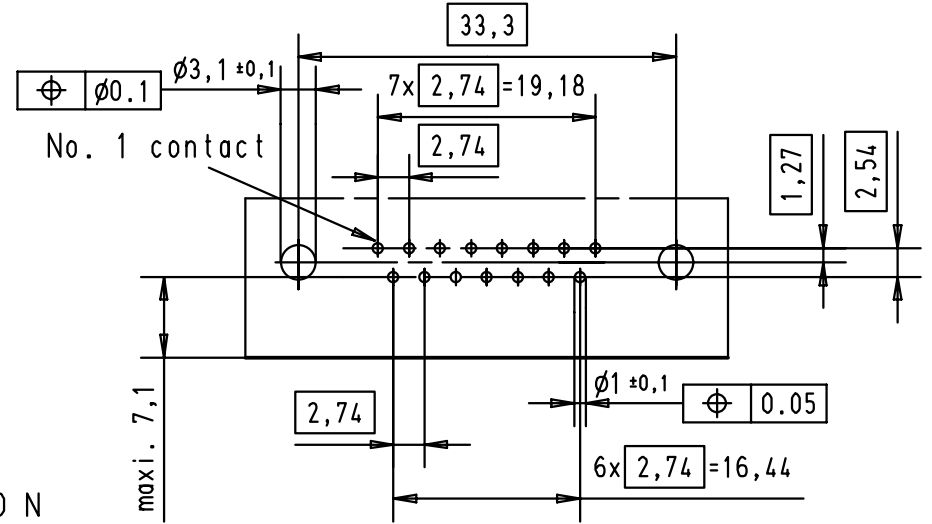
No. 1 contact





Printed board layout (1,6±0,2 thick)
View component side
(PCB plating = Tin)



Mounting force on Printed board : 25 - 80 N



D
C
B
A

09 66 262 6815	M3	2							 All Dim. in mm Orig. Size DIN A 4	D-Sub male low profile 15 poles with solder pins, nuts, board lock and grounding pins	Maßstab/ Scale 1,5:1
09 66 262 7815	M3	3				Detail.	23-NOV-01	JB			
09 66 262 5815	M3	0,76 µm Au				Insp.					
09 66 262 6816	4-40 UNC	2				Stand.					
09 66 262 7816	4-40 UNC	3				HARTING EURL F-95972 Paris				TB 09 66 262 X81x	Blatt/ Page 4
09 66 262 5816	4-40 UNC	0,76 µm Au	29733	23-NOV-01	JB	Sub.					
Part number	nut thread	Performance level	Mod.	Dat.	Name						