

1

2

3

4

5

6

7

A

B

C

D

E

F

A

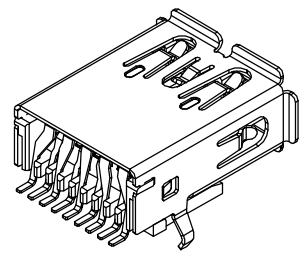
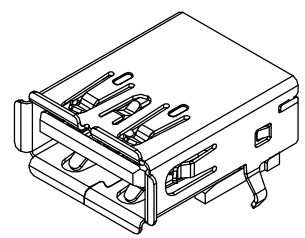
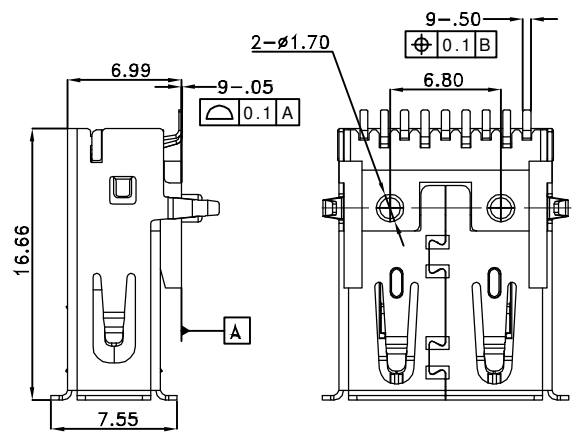
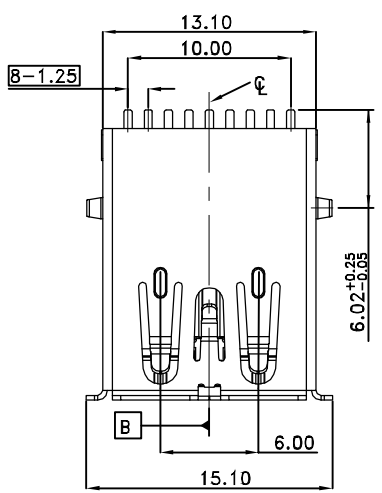
B

C

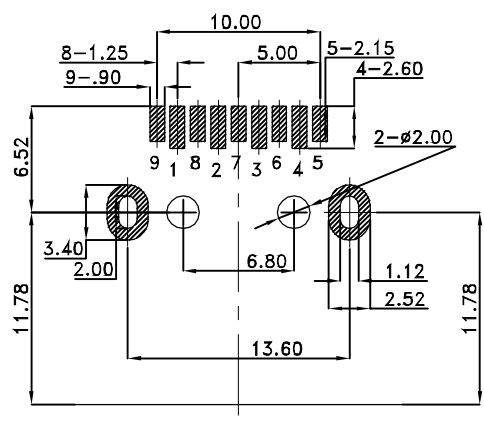
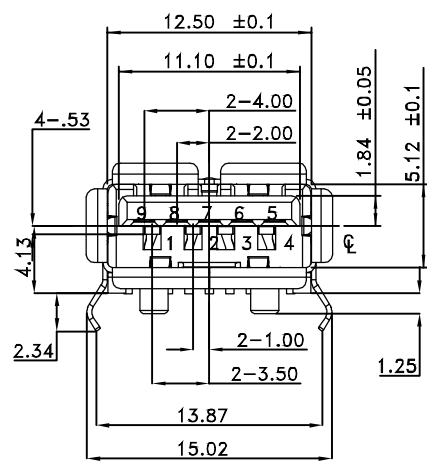
D

E

F



NOTES:
 Material:
 Insulator: Thermoplastic(UL94HB)
 (Pantone 300C) Color:Blue
 Contact: Copper Alloy
 Shell:Copper Alloy
 Contact Plating :
 Underplated:80u" Nickel
 Contact area:30u" Gold
 Solder tails area: 100u"~200u" matte tin
 Electrical :
 1.Dielectrical withstanding rating: 100VAC /minute
 2.Current rating: 1.8A(max) shall be applied to Vbus pin and its corresponding GND pin .025Amp (min) shall be applied to all the other contacts .
 3.Contact resistance :
 30mΩ(max)intial for VBUS and GND conatcts
 50mΩ(max)intial for all other contacts
 Insulation Resistance :100MΩ Min @250VDC
 Temperature Range:-20°C~85°C
 Mating cycles:5,000 insertions
 Packing : Tape&Reel



RECOMMENDED P.C.B LAYOUT
 TOLERANCES: ±0.05mm

RoHS compliant
 Unit: mm

Scale	Free					Date	Name	Customer-No.
TOLERANCE						Drawn	05.01.2018	Winnie
X.X	±0.38					Approved	05.01.2018	Winnie
X.XX	±0.25							
X.XXX	±0.13							
DIM	TOL							
Angle	±1.5°	Id.	Modification	Date	Name			

ASSMANN WSW-No. AUSB3-AFN-HSR2	
Drawing-No.	rev00
ASS 7851 CO	Sheet
Replace	

1

2

3

4

5

6

7