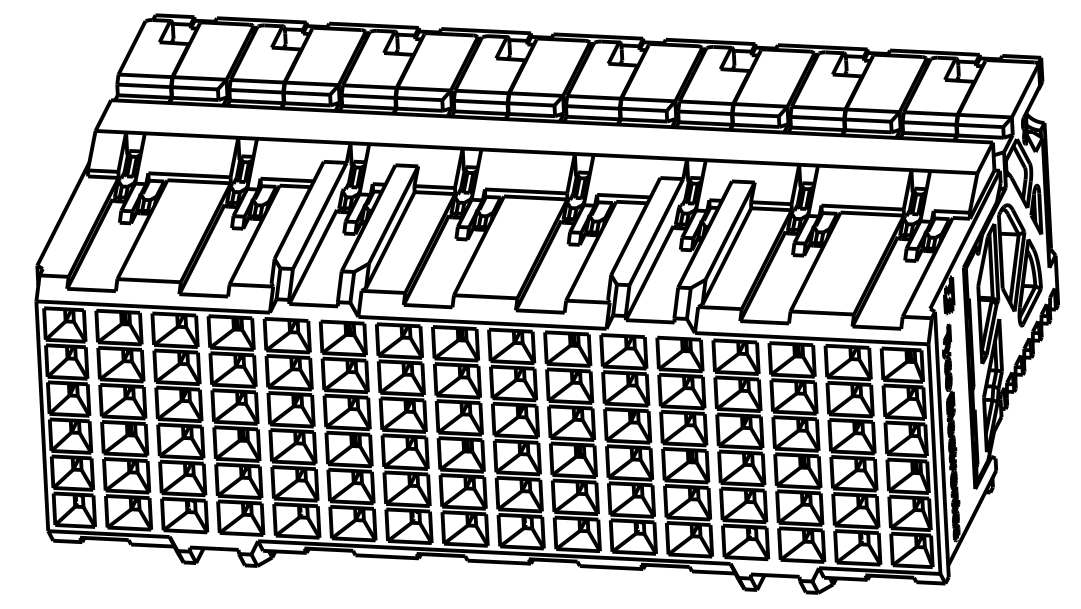
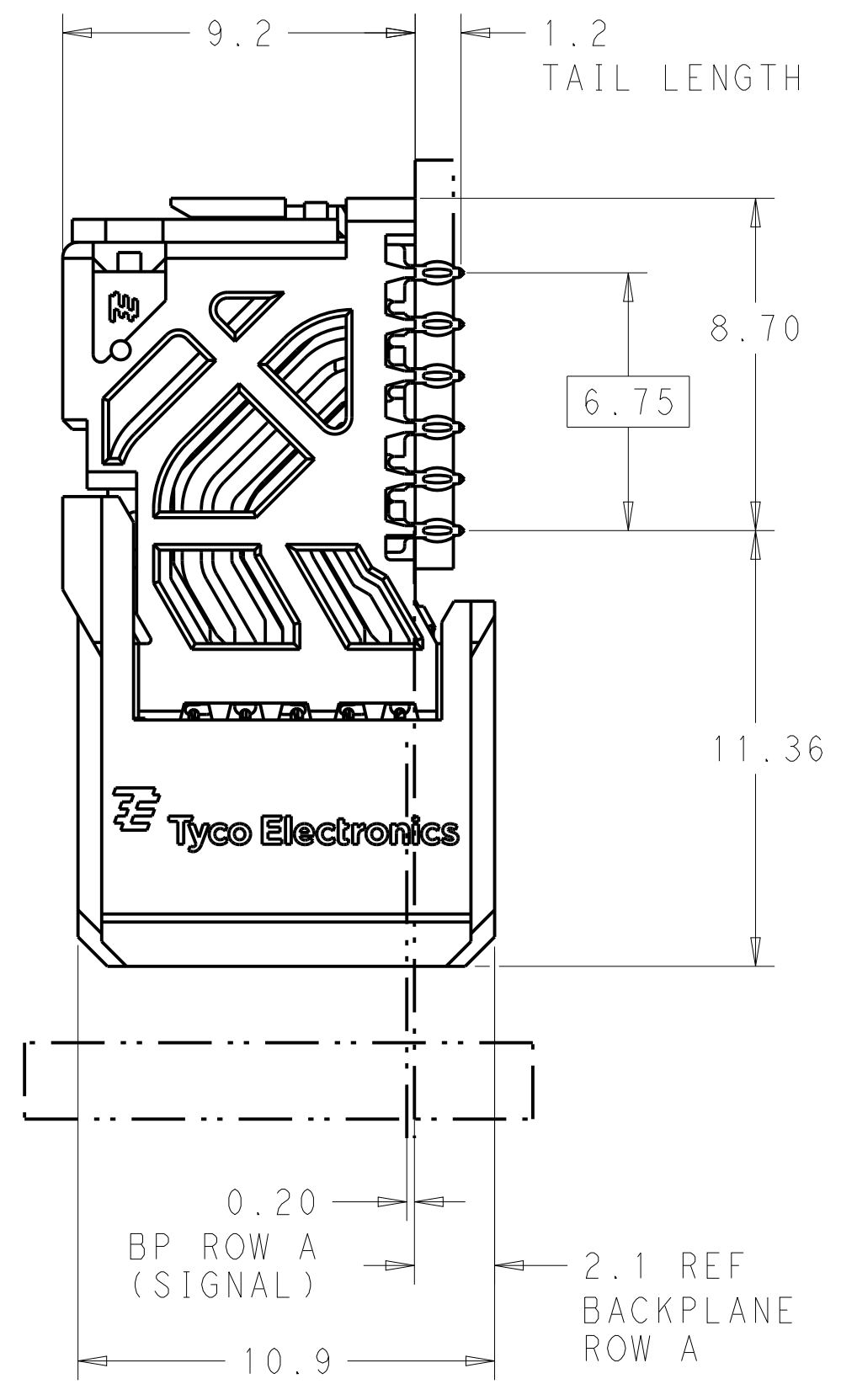
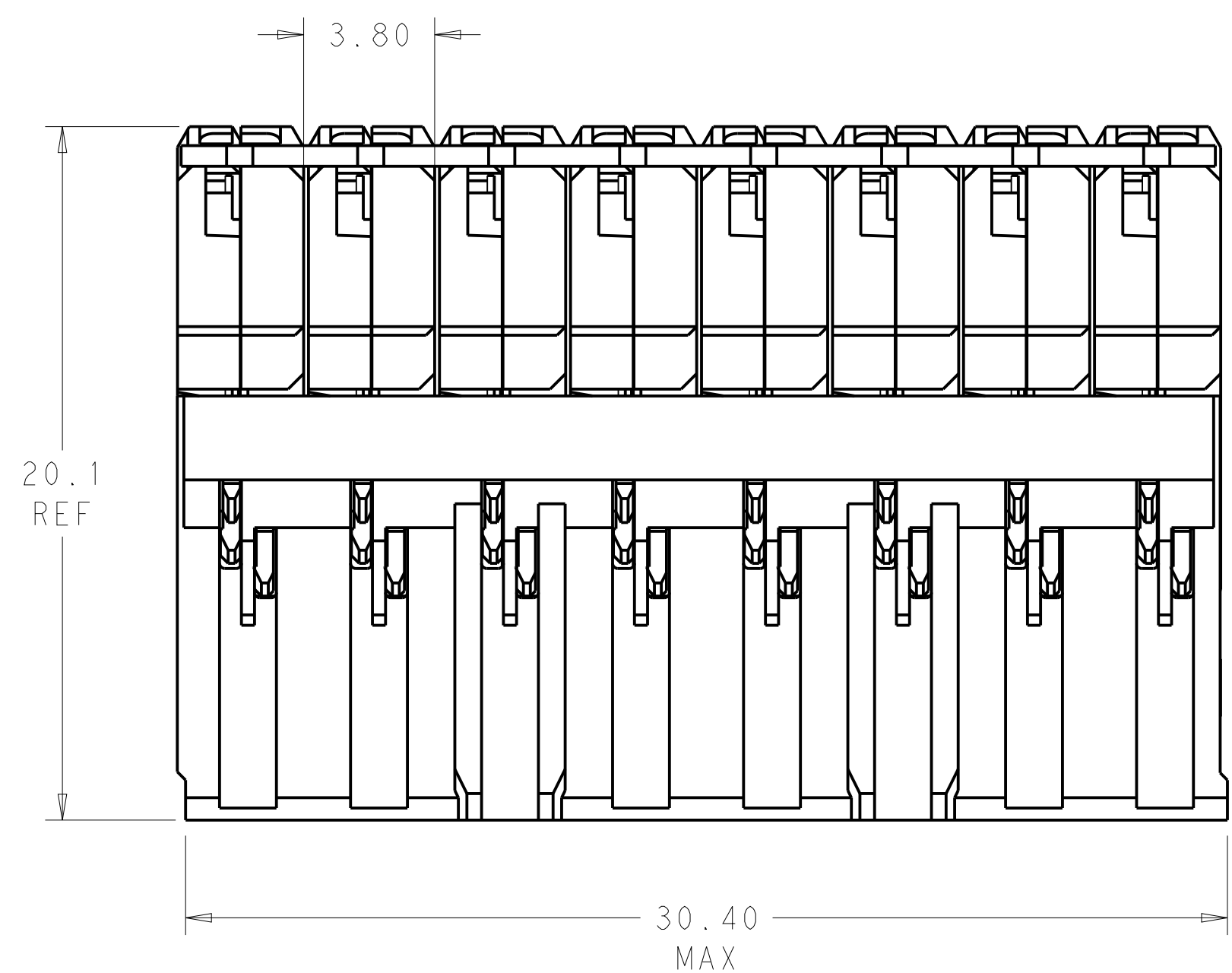


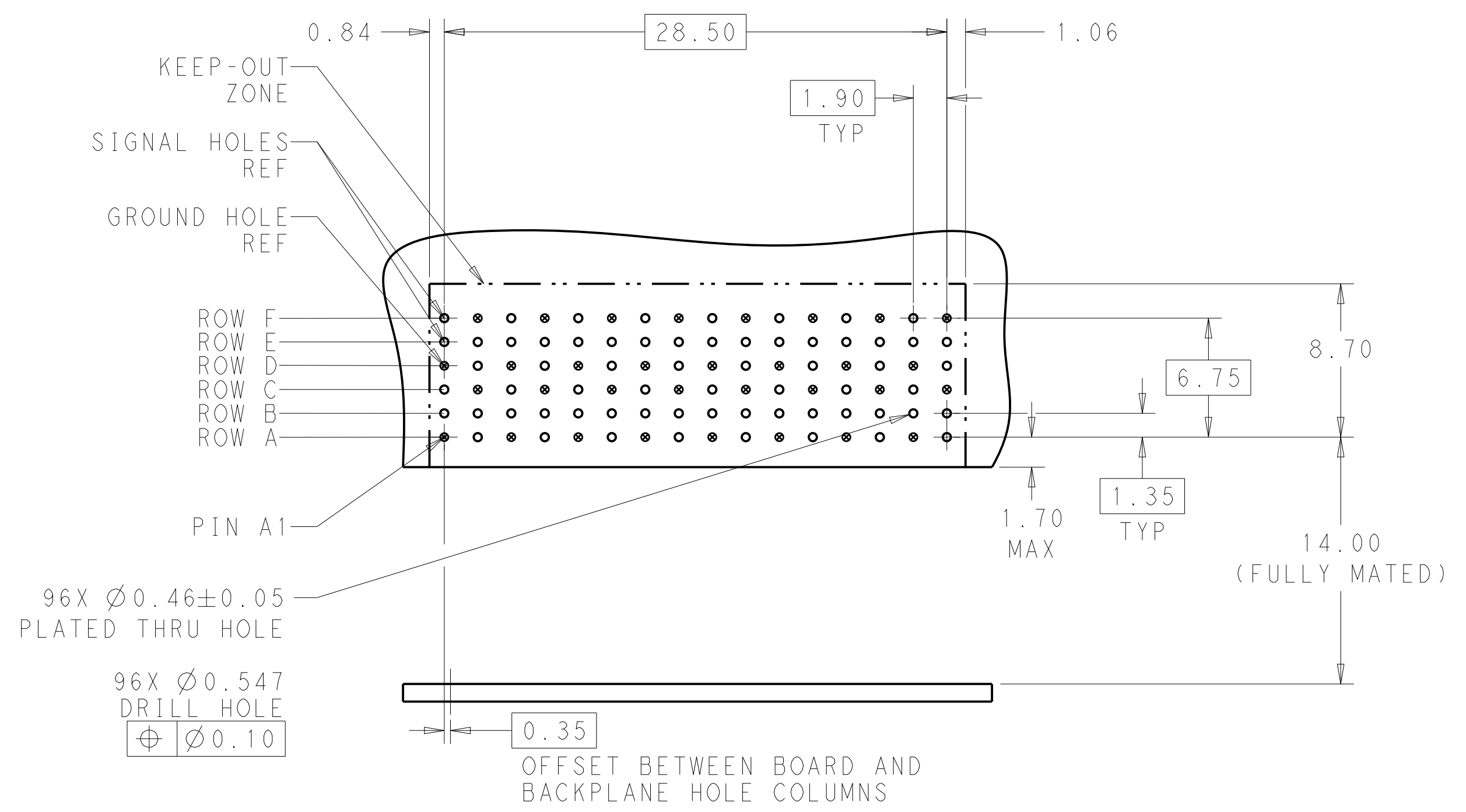
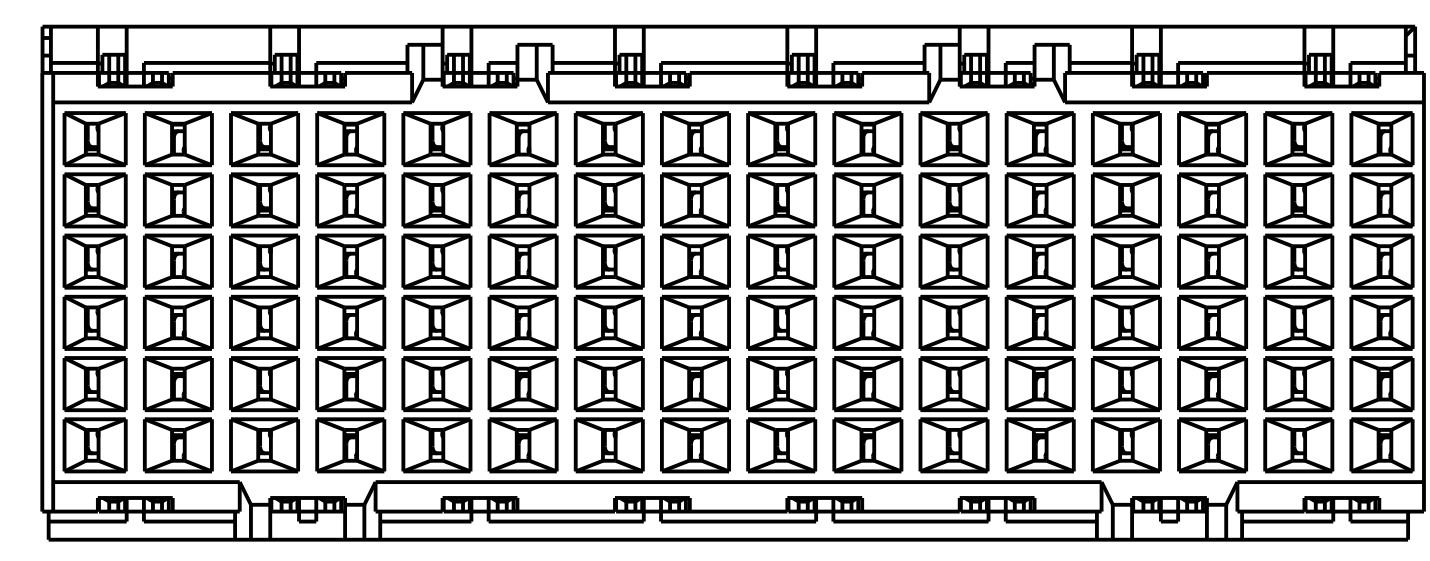
REVISIONS				
P.	LTN.	DESCRIPTION	DATE	DWN. APVD.
A		REVISED PER ECO-14-017984	02DEC2014	AP DD

⚠ MATERIAL:
 HOUSING: LCP, GLASS FILLED, UL94V-0.
 TERMINALS: HIGH PERFORMANCE COPPER ALLOY.

⚠ FINISH:
 30µ" SELECTIVE GOLD IN CONTACT AREA. SELECTIVE TIN
 ON PCB TAILS, NICKEL OVERALL.



SCALE 4:1



RECOMMENDED PCB LAYOUT
 MIN BOARD THICKNESS 1.6

REFER TO WWW.TE.COM
 FOR PRODUCT AVAILABILITY

NONE	⚠	2057408-1
KEY POSITION	FINISH	PART NUMBER

THIS DRAWING IS A CONTROLLED DOCUMENT.		DWN. KIRAN HOLAL 26NOV2012	TE Connectivity
DIMENSIONS: mm		CHK. D. DIXON 26NOV2012	
TOLERANCES UNLESS OTHERWISE SPECIFIED:		APVD. D. DIXON 26NOV2012	NAME: IMPACT, 2 PAIR, DAUGHTERCARD 16 COLUMN, UNGUIDED, SIGNAL MODULE, 0.46 EYELET
0 PLC ± 1 PLC ±0.2 2 PLC ±0.13 3 PLC ± 4 PLC ± ANGLES ±		PRODUCT SPEC APPLICATION SPEC WEIGHT CUSTOMER DRAWING	
MATERIAL: SEE TABLE		SIZE: A1	CAGE CODE: 00779 DRAWING NO: 2057408 SCALE: 6:1 SHEET 1 OF 1 REV A