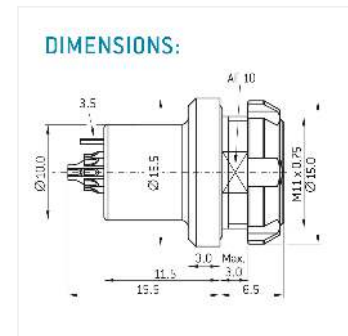
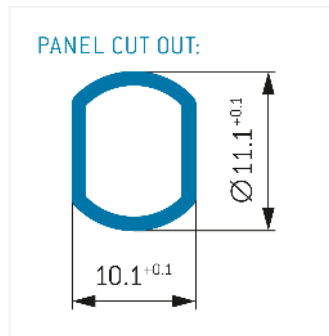
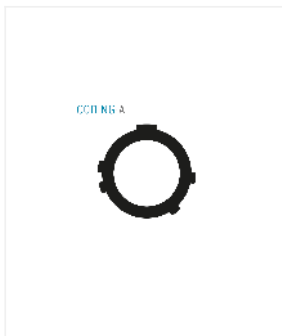


## General information

Part number	G80YAR-PO4WFG0-000L
Termination	solder
Size	0
Locking principle	break , push
Coding	a_key_amc
Cable Diameter	cable_amc_0



## Contact insert description

Number of contacts	4
Contact type	sockets
Contact diameter	07mm
Insulator material	peek
Wire cross section	22_awg
Termination	solder
Termination diameter	085mm
Data transmission	usb_2

reverse\_gender\_on\_request

## Technical information

Nominal current single contact	07_a	iec_60512_5_2
Nominal current insert	7 A	vde_0298_4
Test voltage	09_kv_ac	eia_364_20f

safety\_text

## Mechanical and environmental data

Degree of protection*	ipsk8_ip6k9k
Operating temperature	51_125_c
Mating cycles	5000

mated

### Material and surface treatments

**Housing**

ruthenium

**Contact**

cu\_alloy\_gold

data\_text

safety\_text\_2

data\_text

ul\_text

illustrative\_text