

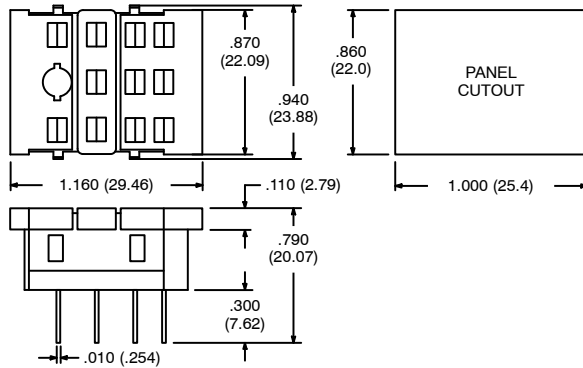
RLY9151

Features

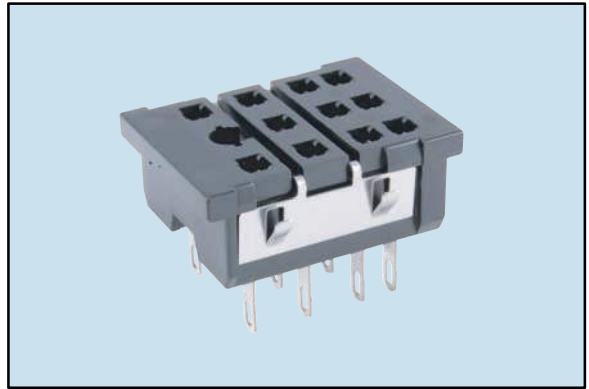
- Panel Mount
- Solder Terminals

Electrical Rating:

300 Volts, 7 Amps



11-Pin Blade Socket



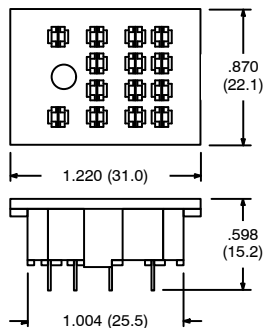
RLY9152

Features

- PC Board Mount
- Solder Terminals

Electrical Rating:

300 Volts, 5 Amps



11-Pin Blade Socket

