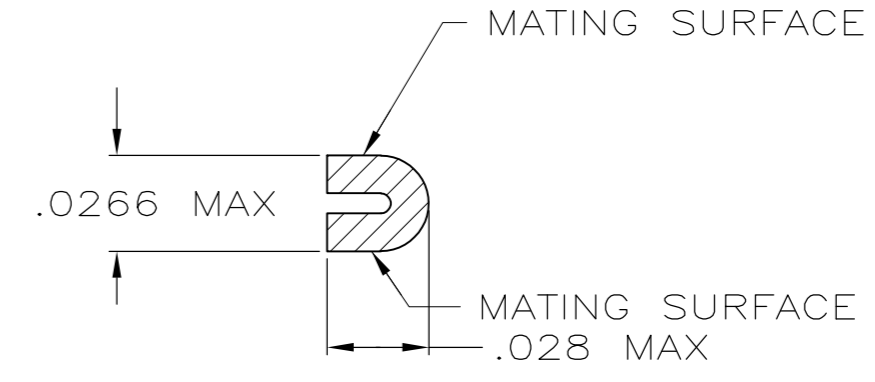
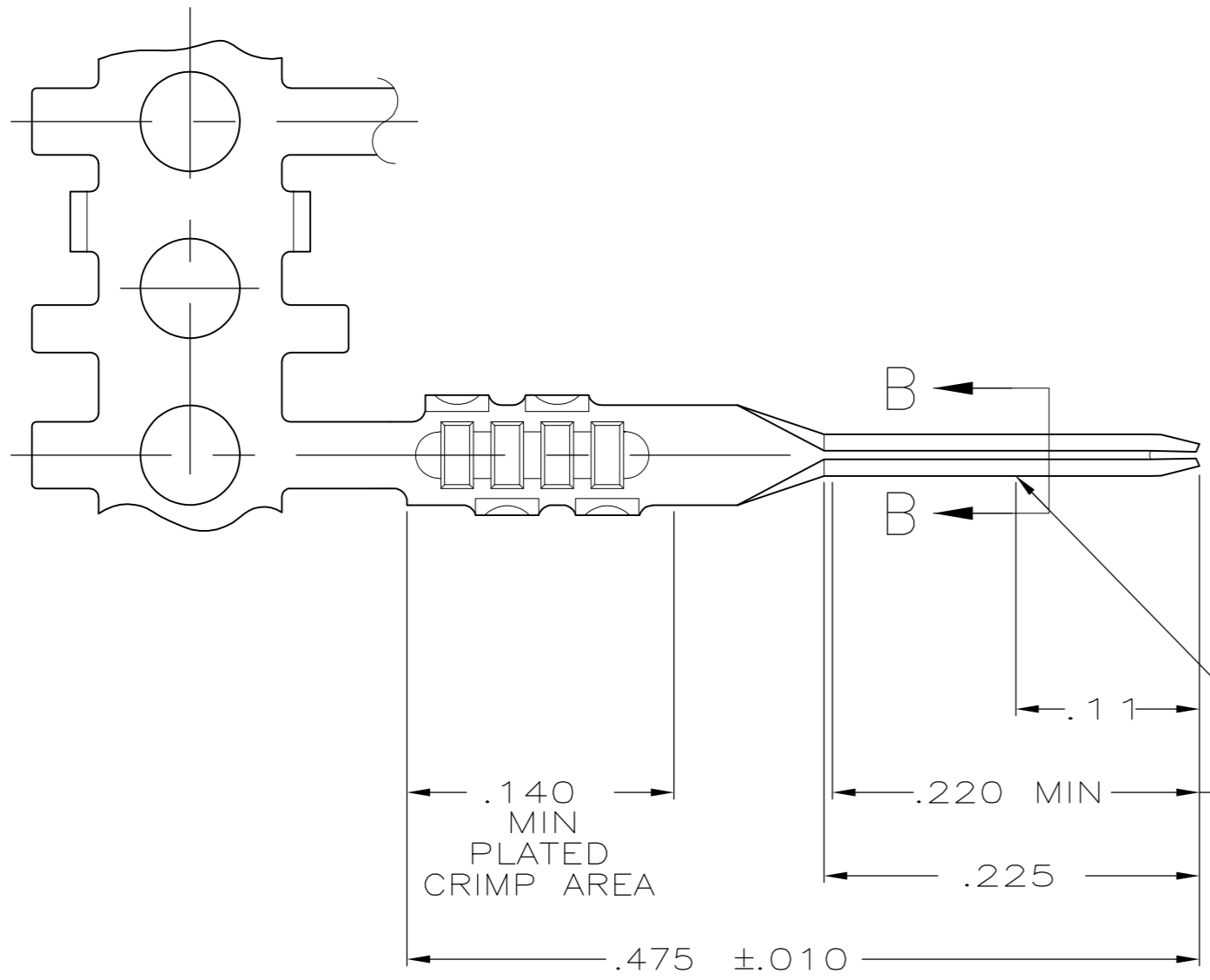
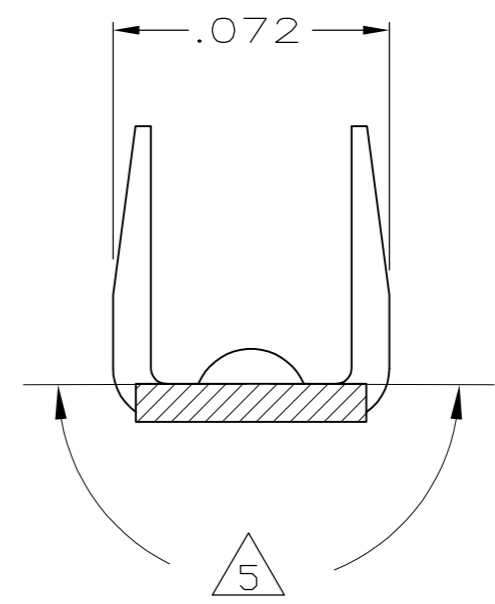
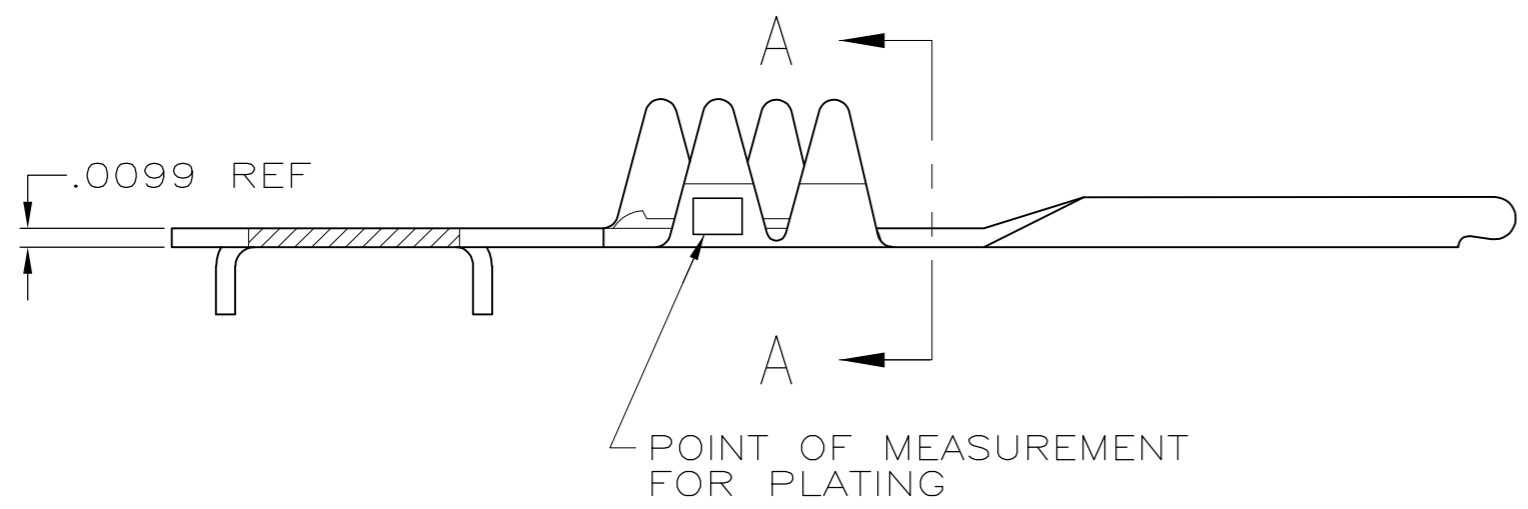


THIS DRAWING IS UNPUBLISHED. RELEASED FOR PUBLICATION
 © COPYRIGHT - By - ALL RIGHTS RESERVED.

| LOC | | DIST | | REVISIONS | | | |
|-----|-----|-------------|--|---------------------------|---------|------|----|
| P | LTR | DESCRIPTION | | DATE | DWN | APVD | |
| GP | 00 | P2 | | REVISED PER ECO-12-011709 | 25JUN12 | RW | SY |



SECTION B-B



SECTION A-A

- 1 NICKEL UNDERPLATE .000050 MIN THK ON ENTIRE CONTACT WITH GOLD .000015 THK ON LOCALIZED PLATE AREA AND BRIGHT TIN-LEAD .000100 MIN THK IN CRIMP AREA
- 2 BRIGHT TIN-LEAD .000100 MIN THK OVER NICKEL UNDERPLATE .000050 MIN THK ON ENTIRE CONTACT
- 3 GOLD FLASH IN PLATED CRIMP AREA, .00015 MIN GOLD ON LOCALIZED PLATE AREA, BOTH OVER .000050 MIN NICKEL ON ENTIRE CONTACT, -OR- GOLD FLASH OVER PALLADIUM-NICKEL, .000015 MIN TOTAL THK ON LOCALIZED PLATE AREA AND GOLD FLASH ON PLATED CRIMP AREA, BOTH OVER .000050 MIN NICKEL ON ENTIRE CONTACT.
- 4 GOLD FLASH IN PLATED CRIMP AREA, .00100 MIN TIN IN LOCALIZED PLATE AREA, BOTH OVER .000050 MIN NICKEL ON ENTIRE CONTACT.
- 5 GOLD PLATING MAY OR MAY NOT BE PRESENT ON THE BOTTOM OF THE CRIMP BARREL IN THIS AREA.

| | | |
|-----------------------|---|---------|
| 5 | 3 | 88976-5 |
| 5 | 4 | 88976-4 |
| SUPERSEDED BY 88976-5 | | 1 |
| | | 2 |
| FINISH | | PART NO |

| | | | | | | | |
|--|--|------------------|---------------|----------------------------------|---------------------------|--|--|
| THIS DRAWING IS A CONTROLLED DOCUMENT. | | DWN | P.BERRY | 3-21-86 | TE TE Connectivity | | |
| DIMENSIONS: INCHES | | CHK | D.WORTHINGTON | 3-24-86 | | | |
| TOLERANCES UNLESS OTHERWISE SPECIFIED: | | APVD | R. SMITH | 3-25-86 | NAME | | |
| 0 PLC ± - | | PRODUCT SPEC | | CONTACT, FFC .100CL, .025 SQ PIN | | | |
| 1 PLC ± - | | APPLICATION SPEC | | 108-9024 | | | |
| 2 PLC ± .02 | | MATERIAL | | 114-16015 | | | |
| 3 PLC ± .005 | | FINISH | | SEE TABLE | | | |
| 4 PLC ± - | | WEIGHT | | - | | | |
| 5 ANGLES ± - | | CUSTOMER DRAWING | | SCALE NTS SHEET 1 of 1 REV P2 | | | |