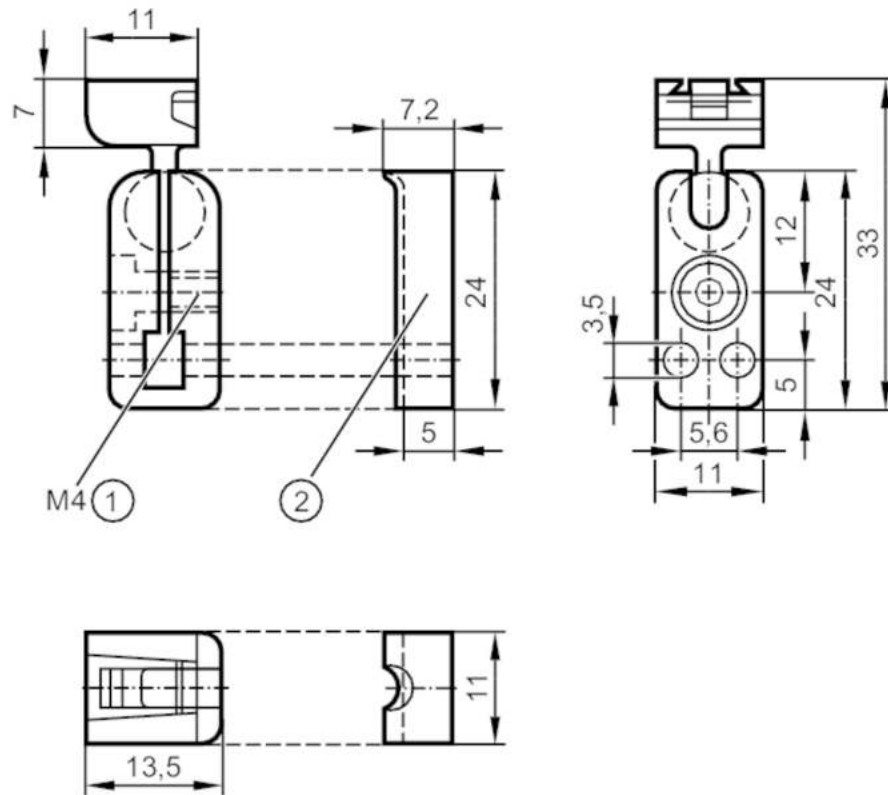


E20974



Swivel-mount clip

SYSTEM COMPONENT OJ BALL



- 1 max. tightening torque of the screw M4 3 Nm
- 2 Spacer

Mechanical data

Weight	[g]	41.5
Materials		diecast zinc

Remarks

Pack quantity	1 pcs.
---------------	--------