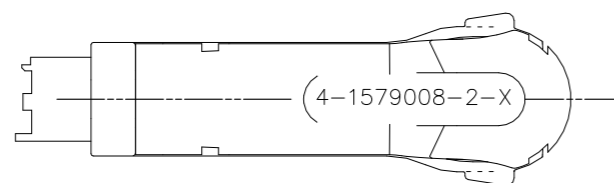
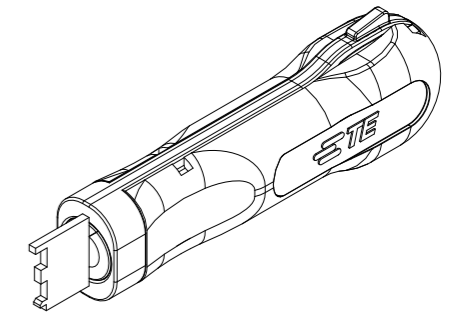
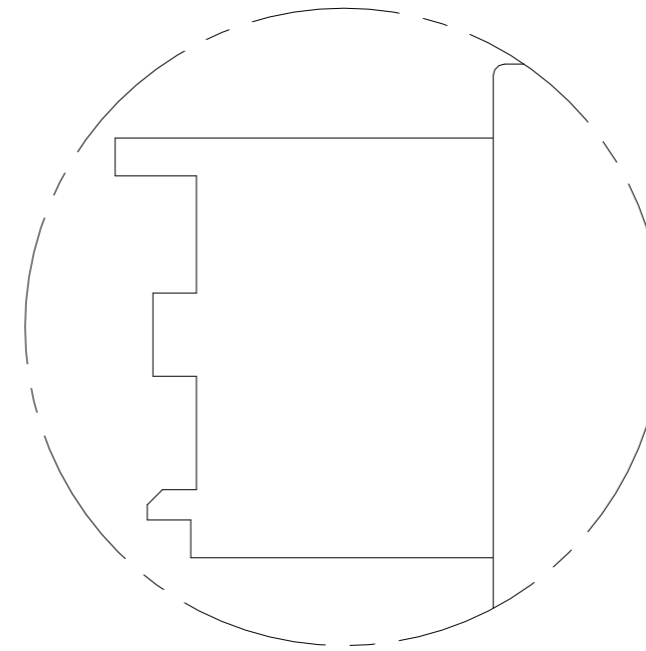
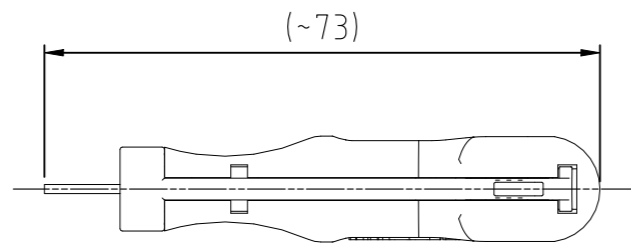
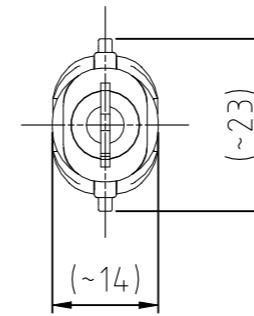
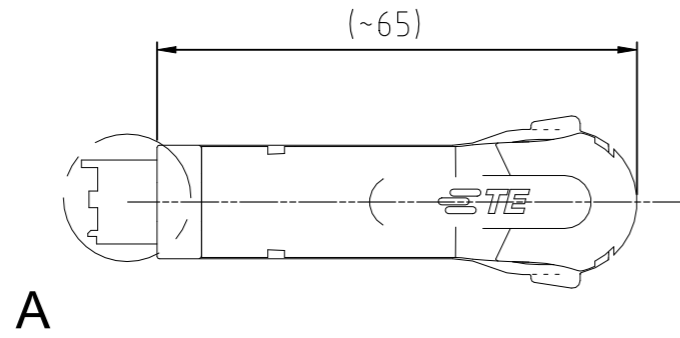



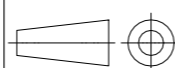
P	LTR	DESCRIPTION	DATE	DWN	APVD
	B	ECR-23-170731	16MAR2023	DK	MB



A
5:1

FOR CONTACTS / HOUSINGS:

MQS / ELO (connector with cover and module)

THIS DRAWING IS A CONTROLLED DOCUMENT.		DWN m.pearson CHK	06.11.2006	 TE Connectivity		
DIMENSIONS: mm	TOLERANCES UNLESS OTHERWISE SPECIFIED:	APVD	NAME			
	0 PLC ± -	PRODUCT SPEC	EXTRACTION TOOL			
	1 PLC ± -	APPLICATION SPEC	Entriegelungswerkzeug			
MATERIAL	FINISH	WEIGHT	SIZE	CAGE CODE	DRAWING NO	RESTRICTED TO
-	-	0.010 kg	A3	00779	C-4-1579008-2	-
CUSTOMER DRAWING				SCALE	SHEET	REV
				1:1	1 OF 1	B