

CTSRU5028F Series

From 1.2 μ H to 100 μ H



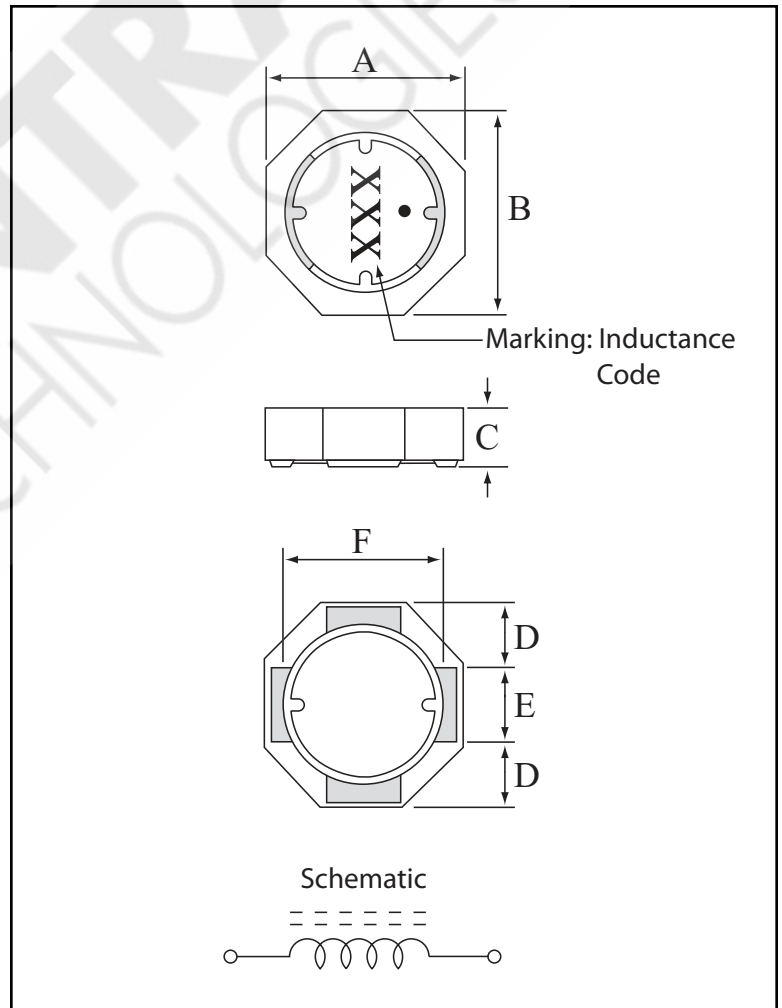
SPECIFICATIONS

Parts are available in $\pm 30\%$ inductance tolerance only.

Part Number	Inductance at 100KHz (μ H)	Q. Ref	Q Test Freq. (.Hz)	DCR Typ. (m Ω)	DCR Max. (m Ω)	SRF Typ. (MHz)	I _{rms} Typ. (mA)	I _{sat} Typ. (mA)
CTSRU5028F-1R2N	1.2	10.0	7.96M	16.8	22.0	200	3500	3400
CTSRU5028F-2R2N	2.2	10.0	7.96M	21.0	27.0	130	3200	2500
CTSRU5028F-3R3N	3.3	10.0	7.96M	24.0	32.0	90	2800	2100
CTSRU5028F-4R7N	4.7	9.0	7.96M	32.0	45.0	50	2200	1850
CTSRU5028F-6R8N	6.8	10.0	7.96M	42.0	56.0	55	2000	1550
CTSRU5028F-100N	10	18.0	2.52M	63.0	85.0	25	1800	1400
CTSRU5028F-150N	15	18.0	2.52M	108.0	140.0	23	1100	1000
CTSRU5028F-220N	22	15.0	2.52M	162.0	210.0	18	950	850
CTSRU5028F-330N	33	15.0	2.52M	203.0	260.0	16	800	680
CTSRU5028F-470N	47	13.0	2.52M	285.0	360.0	13	700	620
CTSRU5028F-680N	68	13.0	2.52M	450.0	550.0	10	560	460
CTSRU5028F-101N	100	15.0	796K	625.0	800.0	8	470	420

PHYSICAL DIMENSIONS

Size	A	B	C	D Typ.	E Typ.	F Typ.	G Typ.
mm	5.20 \pm 0.20	5.20 \pm 0.20	2.80 \pm 0.20	1.70	1.80	3.90	2.00
inches	0.20 \pm 0.0079	0.20 \pm 0.0079	0.11 \pm 0.0079	0.067	0.071	0.15	0.079



CHARACTERISTICS

Description: SMD shielded power inductor.

Applications: Input/output of DC/DC converters, power supplies for portable communication equipment, camcorders, LCD TVs, car radios, etc.

Operating Temperature: -40°C to +105°C

Temperature Rise: 40°C Typ.

I_{sat}: Based on $\Delta L / L_0A = 35\%$ Typ.

I_{rms}: Based on Temp. rise 40°C Typ.

Resistance to Solder Heat: 260°C, 10 seconds.

Inductance Tolerance: $\pm 30\%$

Testing: Inductance is tested on an HP4284A at 100KHz, 0.1V.

Packaging: Tape & Reel.

Marking: Parts are marked with inductance code.

Miscellaneous: **RoHS Compliant.**

Additional Information: Additional electrical & physical information available upon request.

Samples available. See website for ordering information.

PAD LAYOUT

