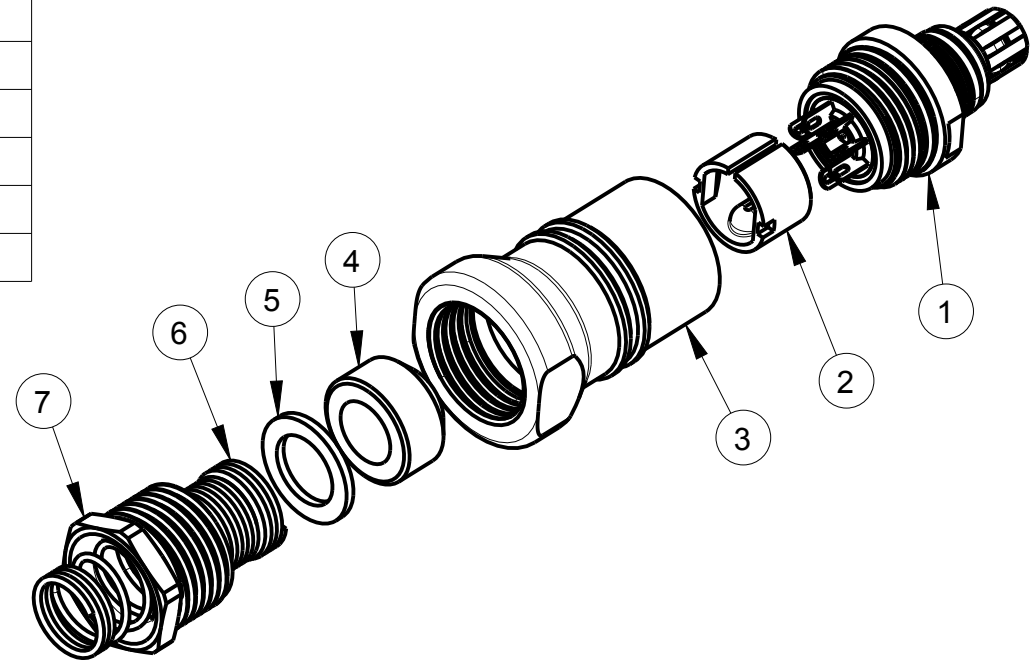


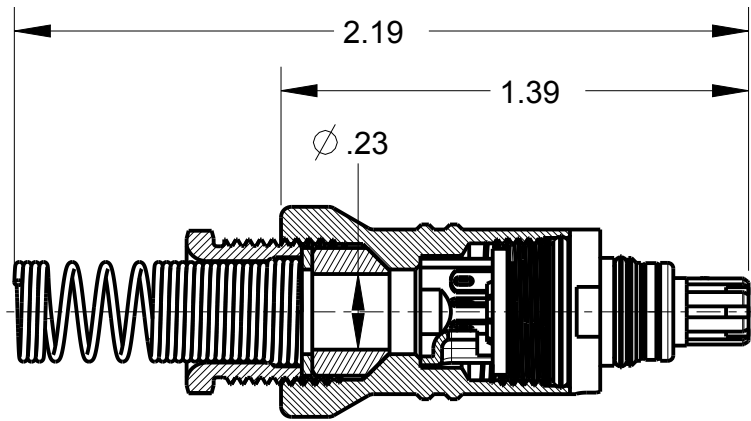
ITEM #	PART #	QTY	DESCRIPTION
1	AP-117BR-1	1	PLUG SUBASSEMBLY
2	AP-117BR-2	1	STRAIN RELIEF
3	AP-117BR-32	1	SHELL, PLUG - 1/4"
4	AJ-117BR-9	1	BUSHING - 1/4"
5	AJ-110BR-10	1	WASHER - 1/4"
6	AJ-117BR-15	1	SPRING - 1/4"
7	AJ-117BR-11	1	STUD, SHELL - 1/4"

NOTES:

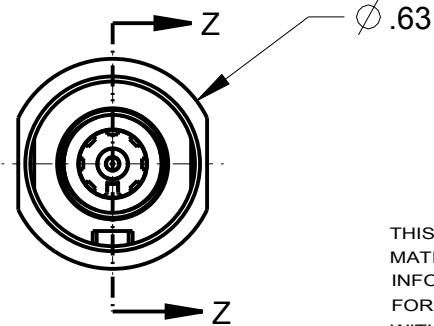
1) ORDERING PART NUMBER: AP-117BRXL



A AP-117BRXL-CP



SECTION Z-Z



THIS DOCUMENT CONTAINS PROPRIETARY INFORMATION OF NEXUS, INCORPORATED AND SUCH INFORMATION MAY NOT BE DISCLOSED TO OTHERS FOR ANY PURPOSE OR USED FOR ANY PURPOSE WITHOUT THE WRITTEN CONSENT OF NEXUS.

					DWN.BY	LDE	DATE	07-Jul-05	MATERIAL		
					CHECKED BY		DATE		FINISH		
C	ADD: Ø .23 CHG: AP-117BRXL-CD TO AP-117BRXL-CP	211	9/3 2014	HR	APPR.BY		DATE		WEIGHT	SCALE = 2.00 :1	
B	REVISE BOM	155	1/30 2013	HR	UNLESS OTHERWISE SPECIFIED: DIMENSIONS ARE IN INCHES &/OR [mm] TOLERANCES: DECIMAL: .XX[X.X] .XXX[X.XX] ± .01[0.3] ± .003[0.08] FRACTION: XX/164 ANGLES: X ± .5					<p style="text-align: center;"><b>NEXUS</b> STAMFORD, CONN</p>	
A	NEW RELEASE		7/7 2005	LDE							
LET.	REVISION	CN #	DATE	CHK.	DO NOT SCALE DWG.		SHEET 1 OF 1		<p style="font-size: 2em; font-weight: bold;">A</p> AP-117BRXL-CP		