

MATERIALS AND FINISHES

BODY, CRIMP TUBE, CAP,  
SLEEVE, COUPLING NUT: BRASS  
PLATED NICKEL

CENTER CONTACT BRASS  
PLATED GOLD

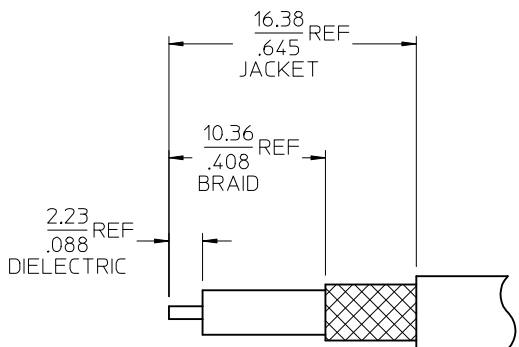
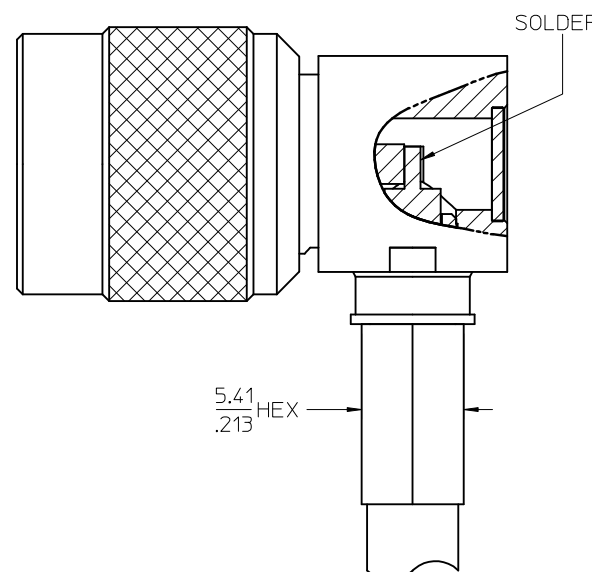
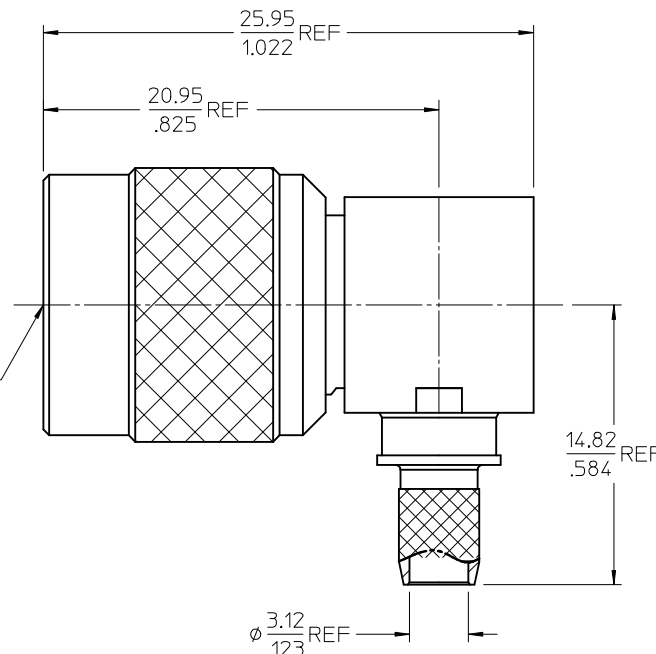
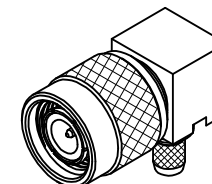
INSULATOR TEFLON

GASKET SILICONE RUBBER

TNC PLUG  
INTERFACE

CAP

SOLDER



CABLE STRIP DIMENSIONS

NOTE: 73216-0050 IS  
SAME AS 73216-1510

73216-0051	ONE PER BAG
73216-0050	TRAY
PART NO.	PACKAGING

PS-89675-1400	ELECTRICAL/MECHANICAL
SPECIFICATION	DESCRIPTION

CHG: 73216-0050 PKG TRAY WAS STD PER RF15-E278 EC NO: URF2016-0091 DRWNG: CME102 2015/08/06 CHKD: APPR: YCHENG 2015/08/07 DESCRIPTION	QUALITY SYMBOLS	GENERAL TOLERANCES (UNLESS SPECIFIED)	DIMENSION STYLE	SCALE	DESIGN UNITS	THIRD ANGLE PROJECTION
	▽=0	mm INCH	MM/IN		METRIC	
	▽=0	4 PLACES ± --- ± ---	DRAWN BY DATE	TITLE		
	▽=0	3 PLACES ± --- ± ---	CHECKED BY DATE			
		2 PLACES ± --- ± ---	APPROVED BY DATE			
		1 PLACE ± --- ± ---	JDW 2008/10/15			
		0 PLACE ± --- ± ---				
		ANGULAR ± 2 °	MATERIAL NO.	DOCUMENT NO.		
		DRAFT WHERE APPLICABLE MUST REMAIN WITHIN DIMENSIONS	SEE TABLE	SD-73216-005		
			SIZE C	THIS DRAWING CONTAINS INFORMATION THAT IS PROPRIETARY TO MOLEX INCORPORATED AND SHOULD NOT BE USED WITHOUT WRITTEN PERMISSION		