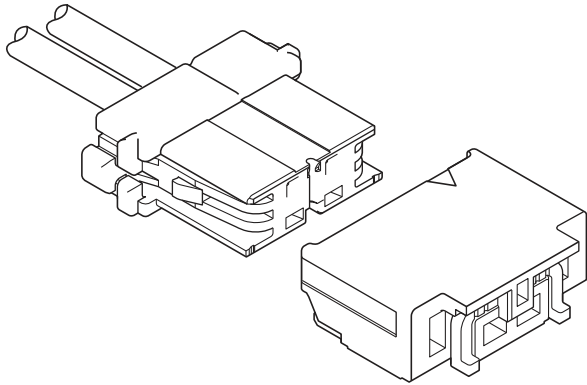


LEA CONNECTOR

1.8 mm pitch/For LED Lamp/Crimp style and Mating style



Considering that the connector does not affect the luminescence angle of LED chip, this low profile type connector (height: 3 mm) is designed for connection to LED lamp and realized space saving. A secure locking mechanism is arranged to this connector in order to consider the handling of wire in actual use, although this is a low profile.

- Secure lock mechanism
- Mechanism for preventing inverse insertion
- Contact lance

Standards

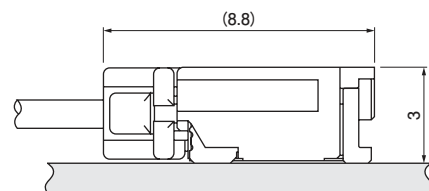
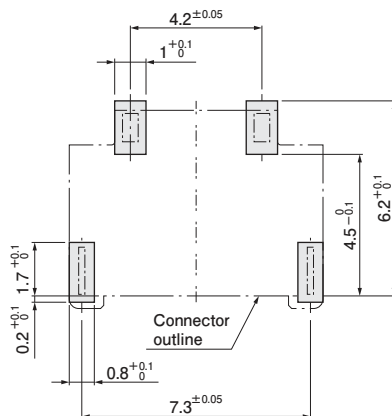
Ⓜ: Recognized E 60389

Ⓢ: Certified LR 20812

Specifications

- Current rating: 3 A AC/DC (AWG #22)
- Voltage rating: 300 V AC/DC
- Temperature range: -55°C to +105°C
(including temperature rise in applying electrical current)
- Contact resistance:
 - Initial value/ 10 mΩ max.
 - After environmental tests/ 20 mΩ max.
- Insulation resistance: 1,000 MΩ min.
- Withstanding voltage:
 - There shall be no breakdown or flashover while applying 1,700 VAC for one minute.
- Applicable wire range:
 - Conductor size/ AWG #30 to AWG #22
 - Insulation O.D./ φ 0.7 mm to φ 1.3 mm
- * Halogen-free products are also available.
- * Please refer to the "Handling Precautions for Terminals and Connectors" on our website (listed in the "Technical Documents" column on the Product Information page) before use.
- * RoHS2 compliance
- * Dimensional unit: mm
- * Contact JST for details.

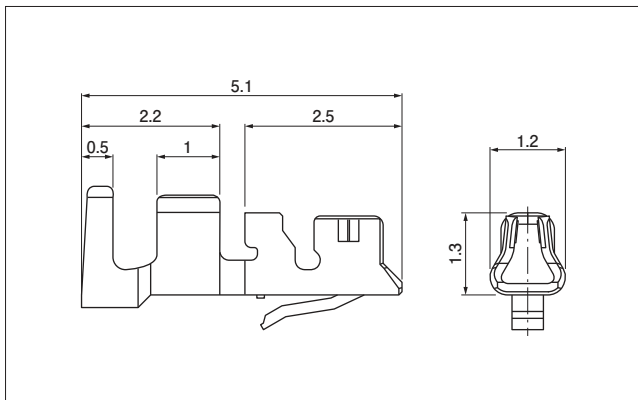
PC board layout and Assembly layout



- Note:
1. The PC board layout is the figure viewed from the connector mounting side.
 2. Tolerance for the PCB pattern pitch shall be ± 0.05 and shall not accumulate.
 3. The above dimensions are reference values. Please contact JST for details.

LEA CONNECTOR

Contact



Model No.	Applicable wire range		Q'ty/reel	
	Conductor size	AWG (mm ²)		Insulation O.D. (mm)
SSFH-002T-P0.5	#30 to #26	(0.05 to 0.13)	0.7 to 1.25	15,000
SSFH-001T-P0.5	#26 to #22	(0.13 to 0.33)	0.95 to 1.3	15,000

Material and Surface finish, etc.

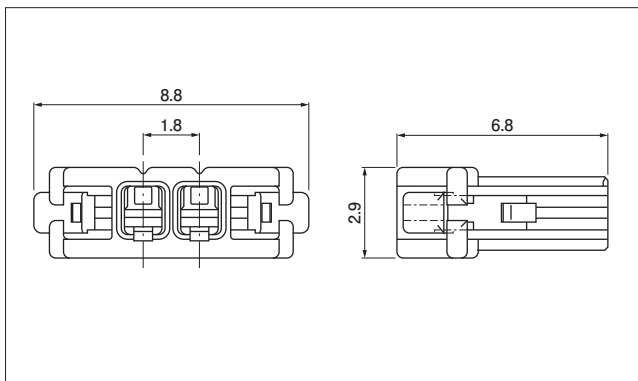
Copper alloy, tin-plated

Crimping machine

Contact	Crimping machine	Applicator	Crimp applicator with dies
SSFH-002T-P0.5	AP-K2N	MKS-L	APLMK SSFH002-05
SSFH-001T-P0.5			APLMK SSFH001-05

Note: Contact JST for fully automatic crimping applicator.

Housing

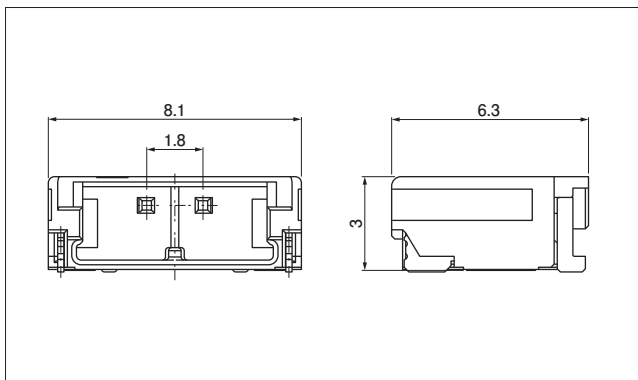


No. of circuits	Model No.	Q'ty/bag
2	LEAR-02V-S	2,000

Material and Surface finish, etc.

PBT, UL94V-0, natural

Header



No. of circuits	Model No.	Q'ty/reel
2	SM02B-LEASS-TF	2,000

Material and Surface finish, etc.

Post: Copper alloy, copper-undercoated, tin-plated

Housing: PA 9T, UL94V-0, white

Solder tab: Copper alloy, copper-undercoated, tin-plated

Note: 1. This product displays (LF)(SN) on a label.
2. The product listed above is supplied on embossed-tape.

Model number allocation

Contact

S SFH - 001 T - P 0.5

Supply form: Strip form	S	SFH	-	001	T	-	P	0.5
Series name	S	SFH	-	001	T	-	P	0.5
Applicable wire range:	S	SFH	-	001	T	-	P	0.5
002...AWG #30 to AWG #26	S	SFH	-	001	T	-	P	0.5
001...AWG #26 to AWG #22	S	SFH	-	001	T	-	P	0.5
Surface finish: Tin-plated	S	SFH	-	001	T	-	P	0.5
Material: Copper alloy	S	SFH	-	001	T	-	P	0.5
Applicable post size	S	SFH	-	001	T	-	P	0.5

Housing

LEA R - 02 V - S

Series name	LEA	R	-	02	V	-	S
Type: Receptacle	LEA	R	-	02	V	-	S
No. of circuits	LEA	R	-	02	V	-	S
Flammability: UL94V-0	LEA	R	-	02	V	-	S
Color: Natural	LEA	R	-	02	V	-	S

Header

SM 02 B - LEA S S - TF

Header type : SMT side entry type	SM	02	B	-	LEA	S	S	-	TF
No. of circuits	SM	02	B	-	LEA	S	S	-	TF
Assembly product	SM	02	B	-	LEA	S	S	-	TF
Series name	SM	02	B	-	LEA	S	S	-	TF
Color: White	SM	02	B	-	LEA	S	S	-	TF
Auxiliary symbol	SM	02	B	-	LEA	S	S	-	TF
Packaging style: Embossed-taping	SM	02	B	-	LEA	S	S	-	TF