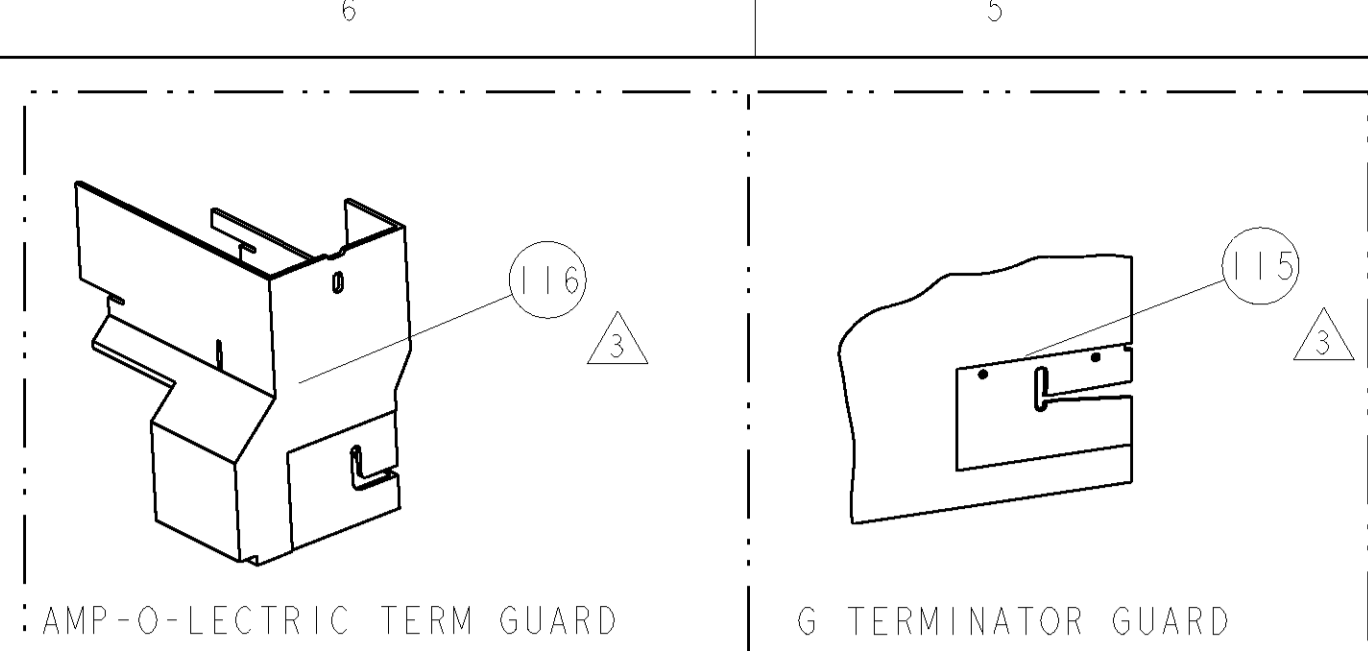


PART NUMBER	REV	FIRST USED	POWER UNIT	FEED TYPE	DESCRIPTION
1855331-1	A	122500-1	LEADMAKER	POST FEED	CUTS CARRIER
1855331-2	A	565435-5	BENCH MODEL K	PRE FEED	CUTS CARRIER
1855331-3	A	354500-1	BENCH MODEL G	PRE FEED	CUTS CARRIER
1855331-6	A	122500-1	LEADMAKER	POST FEED	CONTINUOUS CARRIER
7-1855331-7	A	-	-	-	SPARE PARTS

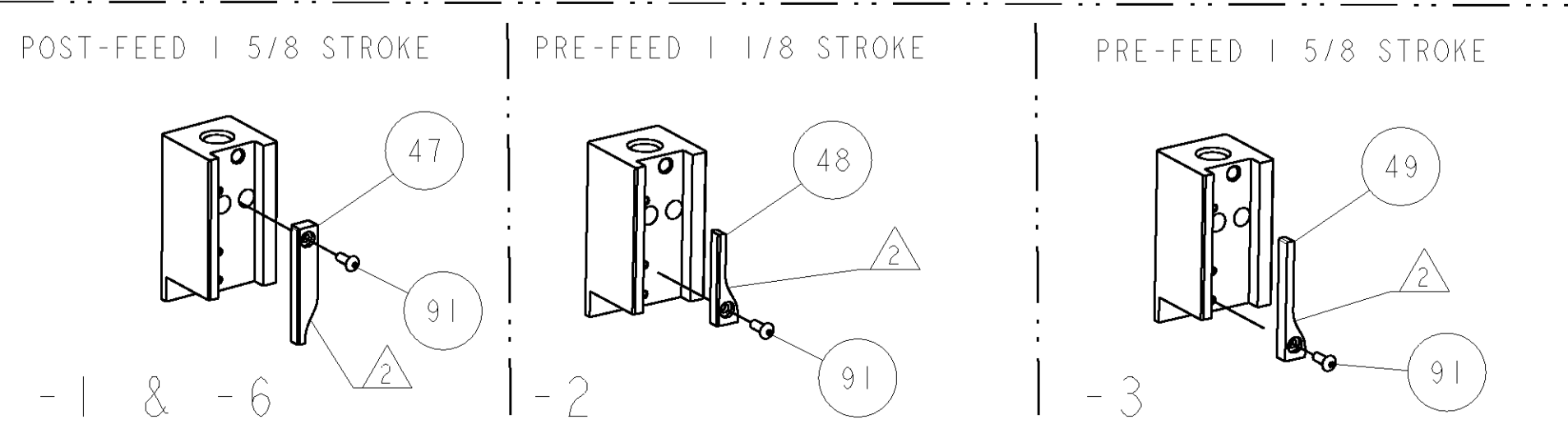
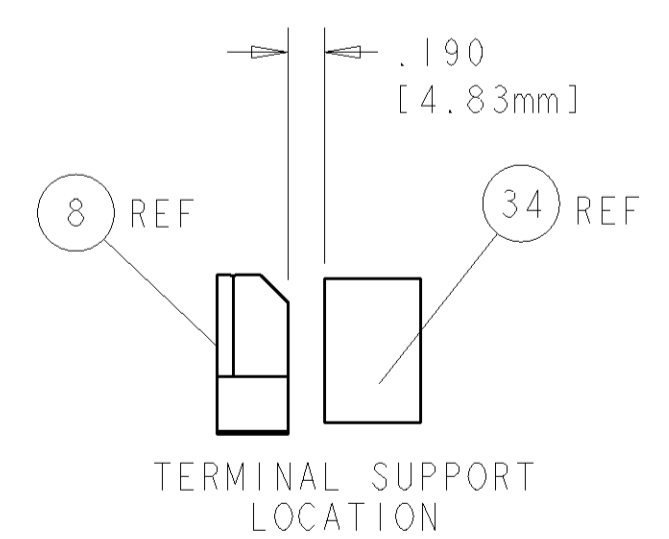
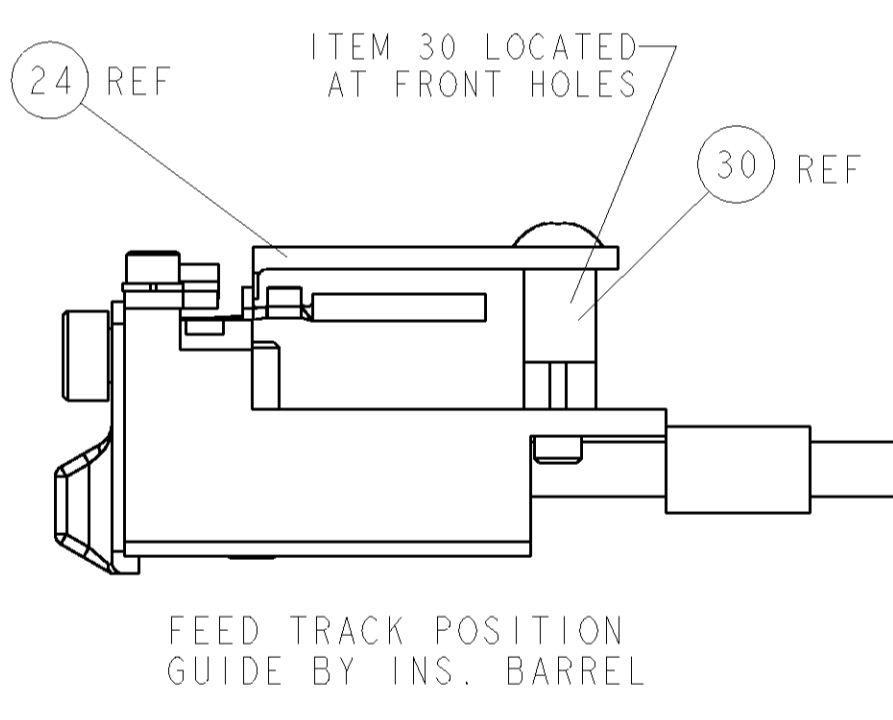
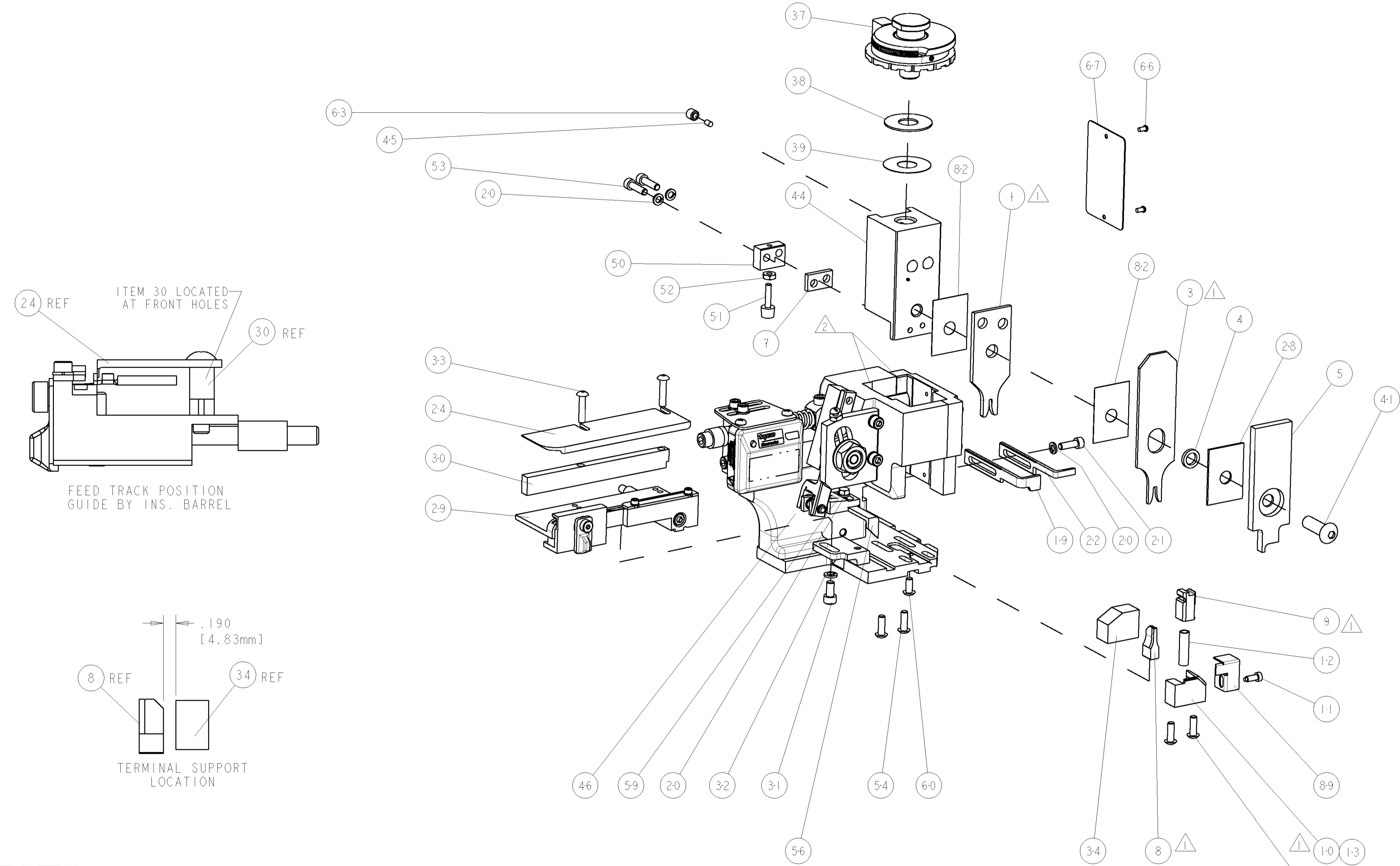


TERMINAL NAME: AUTOMOTIVE SOCKET CONTACT					
SOCKET	PIN	TE TERMINAL - TE CRIMP SPECS		REF SETTING	
1437284-9	-				
-	-	CRIMP HEIGHT		WIRE SIZE	
-	-	1.00±0.05mm [.039±.002]		20AWG	
-	-	-		-	
-	-	-		-	
-	-	-		-	
-	-	CRIMP	SIZE	TYPE	RANGE
-	-	WIRE	1.78mm [.070]	F	20 AWG
-	-	INSUL	2.54mm [1.00]	F	∅1.93mm MAX
WIRE STRIP LENGTH	TERM APPL SPEC	FEED	APPLICATOR INSTRUCTIONS		SET UP GAGE
3.60-3.99mm	NONE	7.92mm	408-8040		458637-1

LOC	DIST	P	LTR	DESCRIPTION	DATE	DWN	APVD
A	66	A		RELEASED	20SEP2007	LG	GB

- △ RECOMMENDED SPARE PARTS
- △ GREASE LIGHTLY
- △ GUARD MUST BE IN PLACE WHEN OPERATING APPLICATOR IN A BENCH MACHINE

*** WARNING**
ON INSTALLATION, SET WIRE DISC TO LARGEST WIRE SIZE SETTING. USE OF SETTINGS BELOW MIN. REQUIRED CRIMP HEIGHT SETTING WILL CAUSE DAMAGE TO CRIMP TOOLING.



3	-	-	-	REF	-	..	455749-1	GUARD WINDOW	116
3	-	-	-	REF	-	..	679532-1	INSERT, GUARD	115
-	1	1	1	1	-	-	1-21002-7	SCR, BTN SKT HD CAP 6-32 X .375	91
-	1	1	1	1	-	-	318563-1	GUARD, FRONT CHIP	89
-	1	1	1	1	-	-	455888-1	SPACER, CRIMPER	82
-	1	1	1	1	-	-	4088040	SF APPL INST 408-8040	72
-	1	1	1	1	-	-	217238-1	GENERAL INSTRUCTION PKG	71
-	1	1	1	1	-	-	461264-5	PLATE, IDENTIFICATION	67
-	2	2	2	2	-	-	21017-2	SCREW, DRIVE	66
-	1	1	1	1	-	-	21009-2	SCR, SET, SELF LOCKING 1/4-20 X .250	63
-	1	1	1	1	-	-	22733-8	SCR, BHSC, SELF-LOCKING, 8-32 X .375	60
-	1	1	1	1	-	-	2-22603-0	SCR, HEX HD CAP 8-32 X .312	59
-	1	1	1	1	-	-	458537-2	PAWL, FEED	56
-	4	4	4	4	-	-	2-21002-2	SCR, BTN SKT HD CAP 8-32 X .500	54
-	2	2	2	2	-	-	2-21000-8	SCR, SKT HD CAP 8-32 X .625	53
-	1	1	1	1	-	-	21018-5	NUT, HEX, REG 6-32	52
-	1	1	1	1	-	-	811242-2	BUMPER, HOLD DOWN	51
-	1	1	1	1	-	-	690753-1	SPACER, TONKER	50
-	-	-	-	-	-	..	690602-6	CAM, PRE FEED, 1 5/8	49
-	-	-	-	-	-	..	690602-5	CAM, PRE FEED, 1 1/8	48
-	1	-	-	-	-	-	690501-4	CAM, POST FEED, 1 5/8	47
-	1	1	1	1	-	-	459456-1	APPL. BASIC SUB ASSY (SIDE WISE MOCA)	46
-	1	1	1	1	-	-	690191-1	PLUG, NYLON	45
-	1	1	1	1	-	-	455673-1	RAM, SIDE FEED	44
-	1	1	1	1	-	-	7-21002-9	SCR, BTN SKT HD CAP 5/16-24 X 1.00	41
-	1	1	1	1	-	-	690125-1	SHIM SUB-ASSY	39
-	1	1	1	1	-	-	469367-7	SHIM	38
-	1	1	1	1	-	-	879103-3	FINE ADJUST HEAD ASSEMBLY	37
-	1	1	1	1	-	-	690786-6	TERMINAL SUPPORT	34
-	2	2	2	2	-	-	2-21002-4	SCR, BTN SKT HD CAP 8-32 X .750	33
-	1	1	1	1	-	-	21024-5	WASHER, SPRG LOCK, REG NO 10	32
-	1	1	1	1	-	-	3-21000-4	SCR, SKT HD CAP 10-32 X .375	31
-	1	1	1	1	-	-	1-1320908-5	SPACER, STRIP GUIDE	30
-	1	1	1	1	-	-	1633091-2	ASSEMBLY, STRIP GUIDE	29
-	1	1	1	1	-	-	1-455888-0	SPACER, CRIMPER	28
-	1	1	1	1	-	-	1320928-1	PLATE, STRIP GUIDE	24
-	1	-	-	-	-	-	690472-2	STRIPPER	22
-	1	1	1	1	-	-	2-21000-7	SCR, SKT HD CAP 8-32 X .500	21
-	4	4	4	4	-	-	21024-4	WASHER, SPRG LOCK, REG NO 8	20
-	-	-	-	-	-	-	691353-1	STRIPPER	19
△	1	1	1	1	-	-	679625-1	SHEAR HOLDER, FRONT (NO CUT)	13
△	1	1	1	1	-	-	3-22280-3	SPRING, COMPRESSION	12
△	1	1	1	1	-	-	690461-1	STOP, SHEAR	11
△	-	-	-	-	-	-	690459-1	SHEAR HOLDER, FRONT	10
△	1	1	1	1	-	-	1-454276-9	FLOATING SHEAR, FRONT	9
△	1	1	1	1	-	-	2-662185-7	ANVIL, COMBINATION .062	8
△	1	1	1	1	-	-	240641-5	SPACER	7
-	-	-	-	-	-	..	-	-	6
-	1	1	1	1	-	-	1-455889-4	DEPRESSOR, SHEAR	5
-	1	1	1	1	-	-	2-238011-2	BLOCK, CRIMPER SPACER	4
△	1	1	1	1	-	-	4-456134-8	CRIMPER, INSULATION F PREMIUM	3
△	1	1	1	1	-	-	455888-1	SPACER, CRIMPER	2
△	1	1	1	1	-	-	1-456404-8	CRIMPER, WIRE PREMIUM	1

DIMENSIONS:		TOLERANCES UNLESS OTHERWISE SPECIFIED:		MATERIAL:		FINISH:	
INCHES		0 PLC	±				
		1 PLC	±0.1				
		2 PLC	±0.01				
		3 PLC	±0.001				
		4 PLC	±0.0001				
		ANGLES	±0.0001				