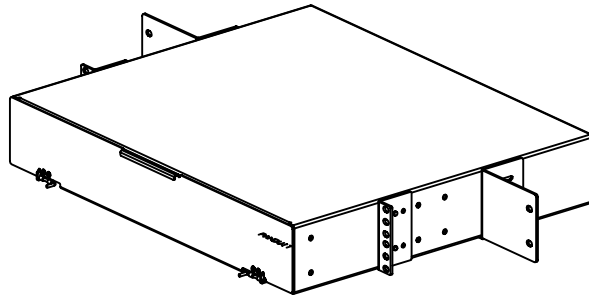
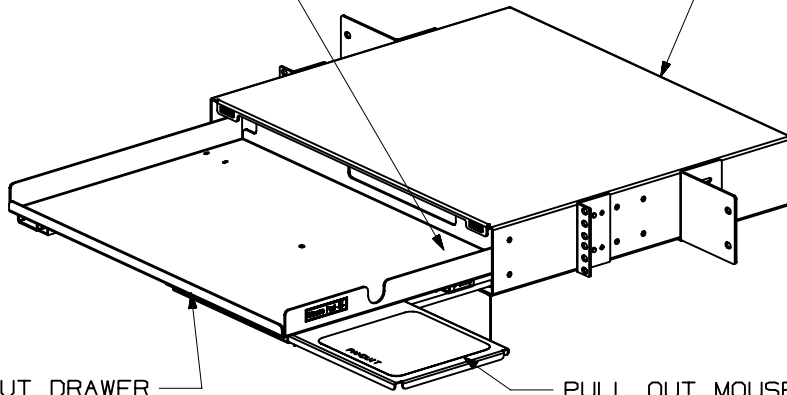


THIS COPY IS PROVIDED ON A RESTRICTED BASIS AND IS NOT TO BE USED IN ANY WAY DETRIMENTAL TO THE INTERESTS OF PANDUIT CORP.



ENCLOSURE HOUSING

AREA FOR MOUSE WHEN KEYBOARD IS RETRACTED



PULL OUT DRAWER

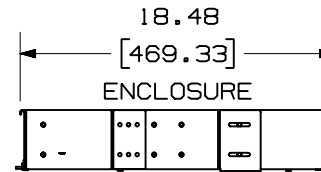
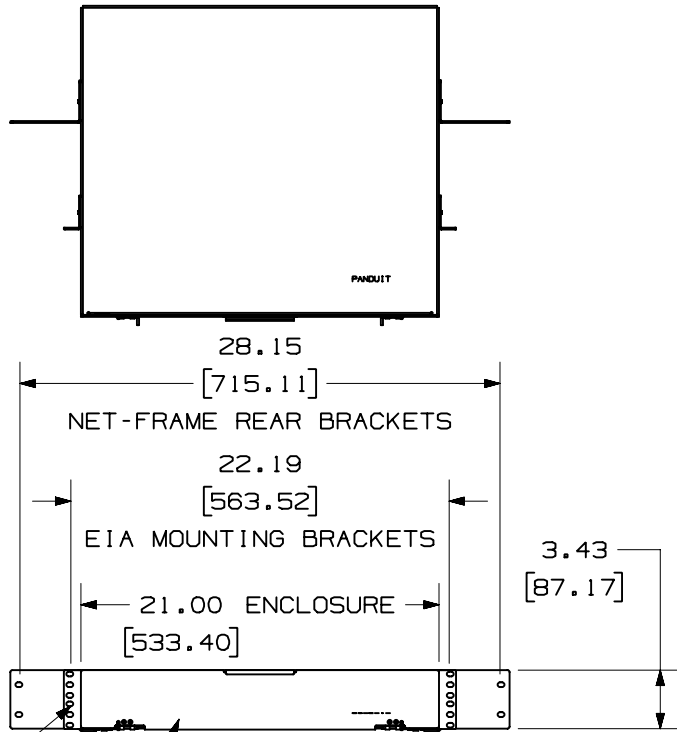
PULL OUT MOUSE TRAY PAD

NOTES:

1. SEE CATALOG FOR COMPLETE LIST OF PARTS APPLICABLE FOR USE WITH THIS PART.
2. DIMENSIONS IN PARENTHESES ARE IN METRIC.
3. KEYBOARD/MONITOR SHELF ENCLOSURE:
 - A, ENCLOSURE MOUNTS TO A STANDARD EIA 23" RACK AND USES 2 RACK UNITS (3.50") OF SPACE.
 - B, ENCLOSURE CAN BE FLUSH MOUNTED FOR INCABINET MOUNTING OR MOUNTED 5" EXTENDED FROM FRONT FACE OF UNIT (AS SHOWN).
 - C, KEYBOARD TRAY IS SUPPLIED WITH A PULL OUT MOUSE TRAY PAD MOUNTED ON THE RIGHT SIDE.
 - D, KEYBOARD TRAY WILL SUPPORT A STANDARD SIZE 20.75" LONG X 9.00" WIDE KEYBOARD.
 - E, ENCLOSURE AND ALL MAIN COMPONENTS ARE MADE OF HEAVY GAUGE ALUMINUM.
 - F, PULL OUT KEYBOARD DRAWER HAS 3/4 EXTENSION HEAVY DUTY BALL BEARING SLIDES.
 - G, ENCLOSURE FRONT DOOR SWINGS DOWN 180° AND IS REMOVABLE.
 - H, ENCLOSURE AND ALL COMPONENTS ARE PAINTED TEXTURED BLACK.
 - I, ENCLOSURE IS SUPPLIED WITH MOUNTING BRACKETS, HARDWARE KIT AND FULL SIZE KEYBOARD WRIST PAD (NOT SHOWN).
 - J, TOP SURFACE OF ENCLOSURE WILL SUPPORT 200 POUNDS.

PANDUIT PART NUMBER: SRM23MK2				WEIGHT: 15.20 LB PER UNIT 6895 G PER UNIT				CAD FILENAME/LAYERS: M10007AA_DC_03A.PRT			
								<h1 style="margin: 0;">PANDUIT</h1> CORP. TINLEY PARK, ILLINOIS			
								KEYBOARD/MONITOR SHELF ENCLOSURE SRM23MK2 CUSTOMER DRAWING			
								UNLESS OTHERWISE SPECIFIED, DIMENSIONAL TOLERANCES ARE: (.X) ± .03 (.XXX) ± .005 (.XX) ± .01 ANGLES ± 1°		UNLESS OTHERWISE SPECIFIED, ALL DIMENSIONS ARE GIVEN IN INCHES, THIRD ANGLE PROJECTION.	
				DRAWN BY: JsP				MAT'L:		SCALE: 1:8	
R 3-28-01 JsP RELEASED FOR PRODUCTION				10007-29				DATE: 3-28-01		SEE NOTES	
REV DATE BY CHK DESCRIPTION				ECN - R CUST SUP OTH				CHK'D			

THIS COPY IS PROVIDED ON A RESTRICTED BASIS AND IS NOT TO BE USED IN ANY WAY DETRIMENTAL TO THE INTERESTS OF PANDUIT CORP.



DOOR - REMOVABLE
STANDARD EIA SPACING MOUNTING BRACKETS
(4) SUPPLIED WITH ENCLOSURE

CAD FILENAME/LAYERS M10007AA_DC_03A.PRT

REV	DATE	BY	CHK	DESCRIPTION	ECN	R	CUST	SUP	OTH
R	3-28-01	JSP		RELEASED FOR PRODUCTION	10007-29				

PANDUIT CORP. TINLEY PARK, ILLINOIS
KEYBOARD/MONITOR SHELF ENCLOSURE
SRM23MK2
CUSTOMER DRAWING

UNLESS OTHERWISE SPECIFIED,
DIMENSIONAL TOLERANCES ARE:
(.X) ± .03 (.XXX) ± .005
(.XX) ± .01 ANGLES ± 1°

UNLESS OTHERWISE SPECIFIED,
ALL DIMENSIONS ARE GIVEN
IN INCHES, THIRD ANGLE PROJECTION.

DRAWN BY JSP MAT'L: SEE NOTES
DATE 3-28-01
CHK'D

SCALE NONE
DRAWING NO. 10007-29 SHT 2 OF 2
DWG SIZE A