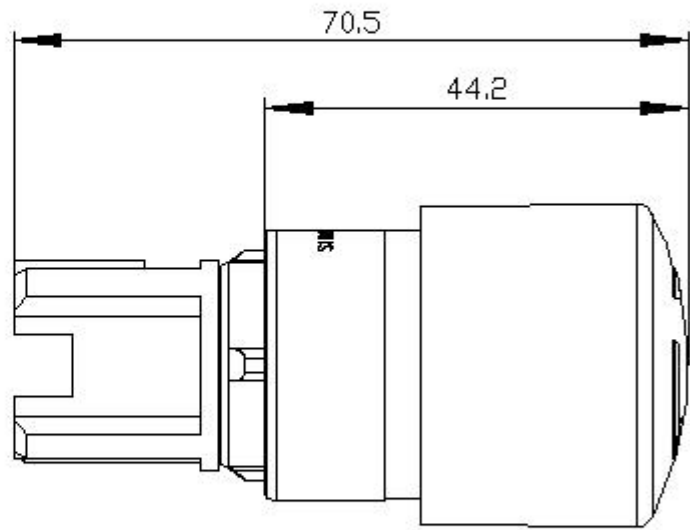
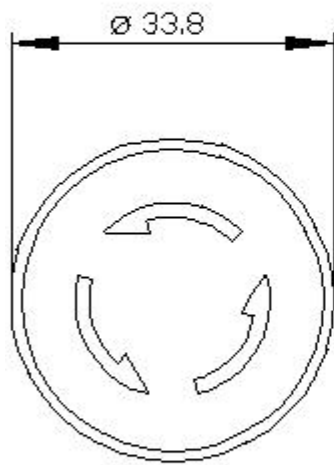




EMERGENCY STOP mushroom pushbutton, 22 mm, round, plastic, red, 30 mm, positive latching, acc. to EN ISO 13850, rotate-to-unlatch, Z=50-unit packaging

<b>product brand name</b>	SIRIUS ACT
<b>product designation</b>	EMERGENCY STOP mushroom pushbuttons
<b>design of the product</b>	Actuating/signaling element
<b>product type designation</b>	3SU1
<b>product line</b>	Plastic, black, 22 mm
<b>Enclosure</b>	
<b>number of command points</b>	1
<b>Actuator</b>	
<b>design of the actuating element</b>	positive latching
<b>principle of operation of the actuating element</b>	latching
<b>product extension optional</b>	
• light source	No
• contact module	Yes
<b>color</b>	
• of the actuating element	red
<b>material of the actuating element</b>	plastic
<b>shape of the actuating element</b>	round
<b>outer diameter of the actuating element</b>	33.8 mm
<b>type of unlocking device</b>	rotate-to-unlatch mechanism
<b>number of switching positions</b>	2
<b>Front ring</b>	
<b>product component front ring</b>	No
<b>General technical data</b>	
<b>product function</b>	
• positive opening	Yes
• EMERGENCY OFF function	Yes
• EMERGENCY STOP function	Yes
<b>protection class IP</b>	IP66, IP67, IP69(IP69K)
<b>degree of protection NEMA rating</b>	1, 2, 3, 3R, 4, 4X, 12, 13
<b>shock resistance</b>	
• acc. to IEC 60068-2-27	Sinusoidal half-wave 50g / 11 ms
• for railway applications acc. to DIN EN 61373	Category 1, Class B
<b>vibration resistance</b>	
• acc. to IEC 60068-2-6	10 ... 500 Hz: 5g
• for railway applications acc. to DIN EN 61373	Category 1, Class B
<b>operating frequency maximum</b>	600 1/h
mechanical service life (switching cycles) typical	300 000

reference code acc. to IEC 81346-2	S
<b>Safety related data</b>	
B10 value with high demand rate acc. to SN 31920	100 000
<b>proportion of dangerous failures</b>	
• with low demand rate acc. to SN 31920	20 %
• with high demand rate acc. to SN 31920	20 %
failure rate [FIT] with low demand rate acc. to SN 31920	100 FIT
<b>T1 value for proof test interval or service life acc. to IEC 61508</b>	20 y
<b>Ambient conditions</b>	
• ambient temperature during operation	-25 ... +70 °C
• ambient temperature during storage	-40 ... +80 °C
environmental category during operation acc. to IEC 60721	3M6, 3S2, 3B2, 3C3, 3K6 (with relative air humidity of 10 ... 95 %)
<b>Installation/ mounting/ dimensions</b>	
<b>shape of the installation opening</b>	round
<b>mounting diameter</b>	22.3 mm
<b>positive tolerance of installation diameter</b>	0.4 mm
<b>mounting height</b>	44.2 mm
<b>installation width</b>	33.8 mm
<b>installation depth</b>	26.3 mm
<b>Certificates/ approvals</b>	
<b>Further information</b>	
<p>Information- and Downloadcenter (Catalogs, Brochures,...)  <a href="https://www.siemens.com/ic10">https://www.siemens.com/ic10</a></p> <p>Industry Mall (Online ordering system)  <a href="https://mall.industry.siemens.com/mall/en/en/Catalog/product?mlfb=3SU1000-1GB20-0AA0-Z X90">https://mall.industry.siemens.com/mall/en/en/Catalog/product?mlfb=3SU1000-1GB20-0AA0-Z X90</a></p> <p>Cax online generator  <a href="http://support.automation.siemens.com/WW/CAXorder/default.aspx?lang=en&amp;mlfb=3SU1000-1GB20-0AA0-Z X90">http://support.automation.siemens.com/WW/CAXorder/default.aspx?lang=en&amp;mlfb=3SU1000-1GB20-0AA0-Z X90</a></p> <p>Service&amp;Support (Manuals, Certificates, Characteristics, FAQs,...)  <a href="https://support.industry.siemens.com/cs/ww/en/ps/3SU1000-1GB20-0AA0-Z X90">https://support.industry.siemens.com/cs/ww/en/ps/3SU1000-1GB20-0AA0-Z X90</a></p> <p>Image database (product images, 2D dimension drawings, 3D models, device circuit diagrams, EPLAN macros, ...)  <a href="http://www.automation.siemens.com/bilddb/cax_de.aspx?mlfb=3SU1000-1GB20-0AA0-Z X90&amp;lang=en">http://www.automation.siemens.com/bilddb/cax_de.aspx?mlfb=3SU1000-1GB20-0AA0-Z X90&amp;lang=en</a></p>	



last modified:

12/21/2020 