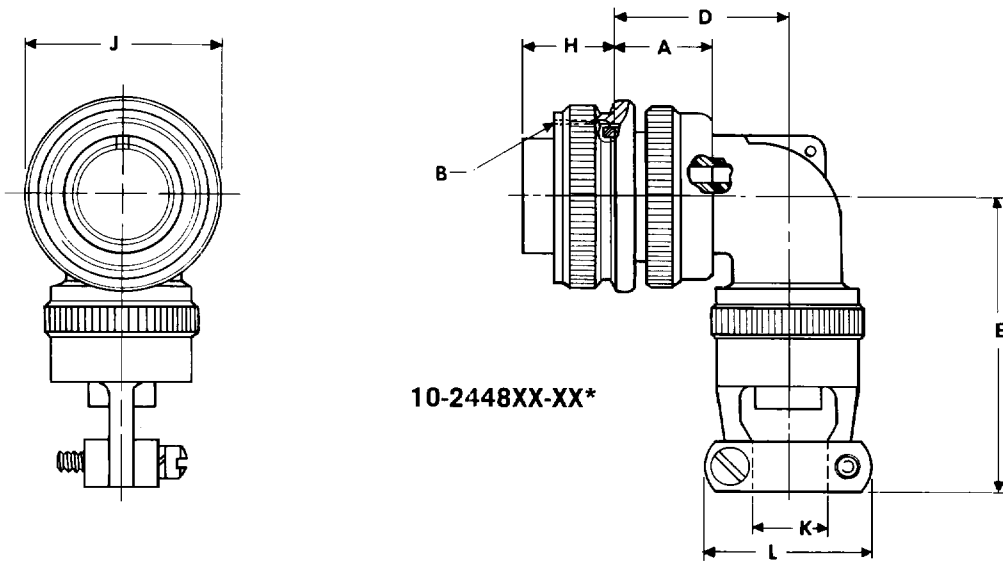


# 10-2448

## 90° plug (closed)



10-2448XX-XX\*

\*To complete order number, see page 10.  
For insert and grommet availability, see page 12.

Order Number*	Shell Size	A ±.045	B Thread Class 2B	D Max.	E Max.	H ±.005	J Dia. Max.	K Dia.	L Max.
10-244810	10S	.609	.6250-24UNEF	.927	1.706	.531	.869	.250	.775
10-244811	10SL	.609	.6250-24UNEF	.951	1.769	.531	.945	.312	.837
10-244812	12S	.609	.7500-20UNEF	.956	1.769	.531	.995	.312	.837
10-244813	12	.812	.7500-20UNEF	1.143	1.769	.719	.995	.312	.837
10-244814	14S	.609	.8750-20UNEF	1.020	1.831	.531	1.123	.438	.963
10-244815	14	.812	.8750-20UNEF	1.207	1.831	.719	1.123	.438	.963
10-244816	16S	.609	1.0000-20UNEF	1.146	1.894	.531	1.250	.562	1.087
10-244817	16	.812	1.0000-20UNEF	1.333	1.894	.719	1.250	.562	1.087
10-244818	18	.812	1.1250-18UNEF	1.395	2.099	.719	1.333	.625	1.150
10-244820	20	.812	1.2500-18UNEF	1.598	2.224	.719	1.461	.750	1.400
10-244822	22	.812	1.3750-18UNEF	1.598	2.286	.719	1.588	.750	1.400

All dimensions for reference only