

6 W dual output SMPS demonstration board based on the VIPER17

Data brief

Features

- Input voltage range: 85 Vac to 264 Vac
- Input frequency: 47 Hz to 63 Hz
- Temperature range from: 0° to 85 °C 105°C possible
- Output voltage and current # 1: 5 V @ 0.5 A
- Output voltage and current # 2: 12 V @ 0.25 A
- Load and cross regulation #1: +/-1%
- Load and cross regulation #2: +/-10%
- Output power: 5.5 W
- Line regulation: +/- 0.2%
- Efficiency: 80% typical at 12 V output
- Safety: overvoltage, overcurrent, brown out
- EMI: EN55022 class "B"

Description

This demonstration board is based on the new VIPer17H device, that is a converter that offers in one package a PWM controller built in BCD6 technology and a 800 V avalanche rugged vertical power section.

The VIPer17H switches at 115 kHz and can deliver 6 W from wide range operation from 85 Vac to 305 Vac. It can also deliver 10 W when operating from European range of 175 Vac to 264 Vac.

This demonstration board has additional features asked by many customers:

Standby wattage as low as 50 mW at no load. Frequency jittering is implemented to make EMI measurement meet today's standards. Adjustable overload. Output short-circuit protection for hard short such as transformer saturation or shorted diode. Adjustable brown out and brown in feature. Output over voltage protection.

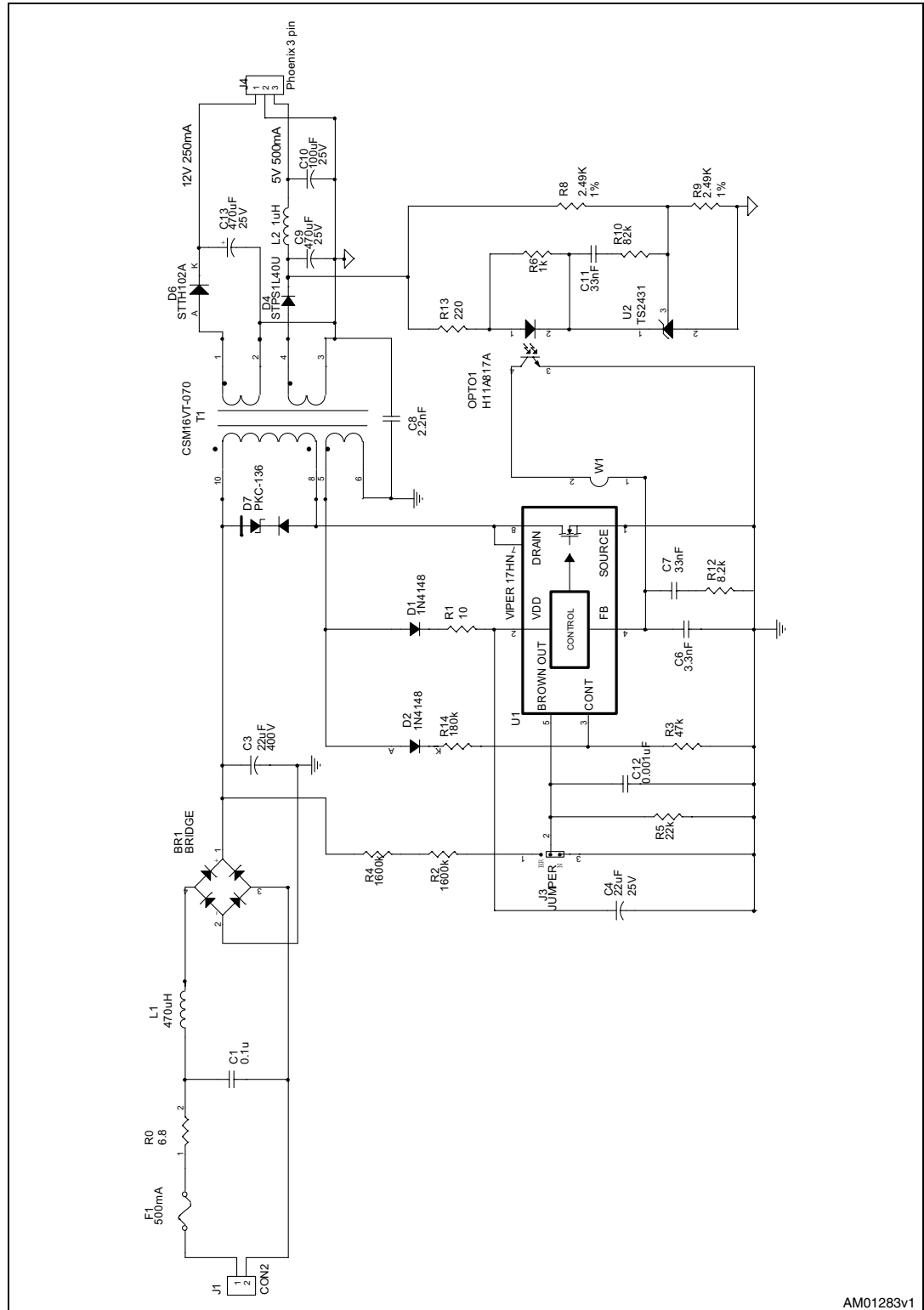
The same PCB board has been designed in such a way that can be populated for either the double



or even single output. The only difference between them is the extra output parts, the transformer, and the voltage divider for the feedback loop.

1 Circuit schematic

Figure 1. Schematic diagram



AM01283v1

2 Revision history

Table 1. Document revision history

Date	Revision	Changes
11-Jun-2009	1	Initial release.

Please Read Carefully:

Information in this document is provided solely in connection with ST products. STMicroelectronics NV and its subsidiaries ("ST") reserve the right to make changes, corrections, modifications or improvements, to this document, and the products and services described herein at any time, without notice.

All ST products are sold pursuant to ST's terms and conditions of sale.

Purchasers are solely responsible for the choice, selection and use of the ST products and services described herein, and ST assumes no liability whatsoever relating to the choice, selection or use of the ST products and services described herein.

No license, express or implied, by estoppel or otherwise, to any intellectual property rights is granted under this document. If any part of this document refers to any third party products or services it shall not be deemed a license grant by ST for the use of such third party products or services, or any intellectual property contained therein or considered as a warranty covering the use in any manner whatsoever of such third party products or services or any intellectual property contained therein.

UNLESS OTHERWISE SET FORTH IN ST'S TERMS AND CONDITIONS OF SALE ST DISCLAIMS ANY EXPRESS OR IMPLIED WARRANTY WITH RESPECT TO THE USE AND/OR SALE OF ST PRODUCTS INCLUDING WITHOUT LIMITATION IMPLIED WARRANTIES OF MERCHANTABILITY, FITNESS FOR A PARTICULAR PURPOSE (AND THEIR EQUIVALENTS UNDER THE LAWS OF ANY JURISDICTION), OR INFRINGEMENT OF ANY PATENT, COPYRIGHT OR OTHER INTELLECTUAL PROPERTY RIGHT.

UNLESS EXPRESSLY APPROVED IN WRITING BY AN AUTHORIZED ST REPRESENTATIVE, ST PRODUCTS ARE NOT RECOMMENDED, AUTHORIZED OR WARRANTED FOR USE IN MILITARY, AIR CRAFT, SPACE, LIFE SAVING, OR LIFE SUSTAINING APPLICATIONS, NOR IN PRODUCTS OR SYSTEMS WHERE FAILURE OR MALFUNCTION MAY RESULT IN PERSONAL INJURY, DEATH, OR SEVERE PROPERTY OR ENVIRONMENTAL DAMAGE. ST PRODUCTS WHICH ARE NOT SPECIFIED AS "AUTOMOTIVE GRADE" MAY ONLY BE USED IN AUTOMOTIVE APPLICATIONS AT USER'S OWN RISK.

Resale of ST products with provisions different from the statements and/or technical features set forth in this document shall immediately void any warranty granted by ST for the ST product or service described herein and shall not create or extend in any manner whatsoever, any liability of ST.

ST and the ST logo are trademarks or registered trademarks of ST in various countries.

Information in this document supersedes and replaces all information previously supplied.

The ST logo is a registered trademark of STMicroelectronics. All other names are the property of their respective owners.

© 2009 STMicroelectronics - All rights reserved

STMicroelectronics group of companies

Australia - Belgium - Brazil - Canada - China - Czech Republic - Finland - France - Germany - Hong Kong - India - Israel - Italy - Japan - Malaysia - Malta - Morocco - Philippines - Singapore - Spain - Sweden - Switzerland - United Kingdom - United States of America

www.st.com