

# Type MOCB2-PCL Modified Reset Circuit Breaker Automotive Type II Fuse Clip Type



www.optifuse.com (619) 593-5050

## Specifications:

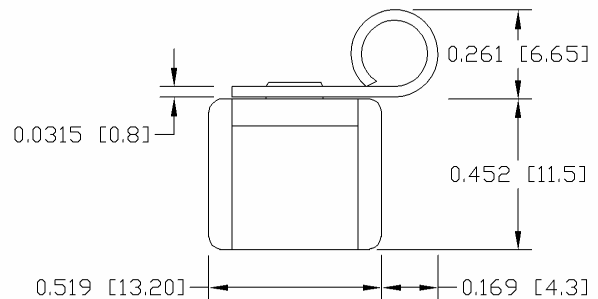
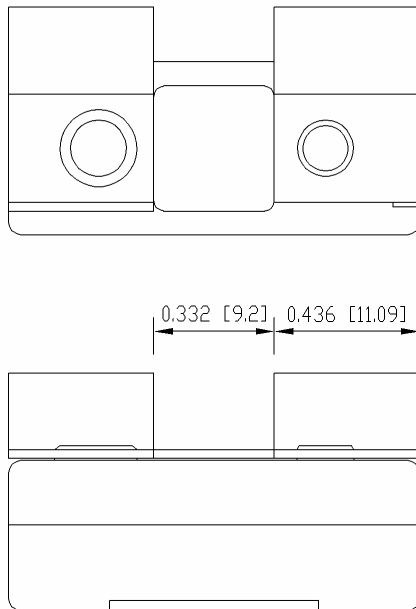
- Modified Reset Type Circuit Breaker. Modified reset circuit breakers are devices that are opened by over-current and remain open as long as the power is on to the affected circuit or until the load is removed.
- Conform to American National Standard SAE J553
- Body: Plastic
- Voltage: 12 VDC
- Amperage: 10A, 15A, 20A, 25A, 30A, 35A, 40A
- Fits both 1/4" and 7/8" Fuse Clips

## Current Rating:

Rating	Open Time
100% ± 1.5%	> 30 min
135% ± 1.5%	< 30 min
200% ± 1.5%	< 1 min

- Packing: 100pc/inner box  
1000pc/14kg/16kg/0.63'  
available in Box or Blister Card

## Mechanical Dimensions: Inches [mm]



## Warning:



- Operation beyond the specified maximum ratings or improper use may result in damage and possible electrical arcing and/or flame.
- Devices are intended for occasional over current protection. Application for repeated over current condition and/or prolonged trip are not anticipated.
- Avoid contact of device with chemical solvent. Prolonged contact may damage the device performance.