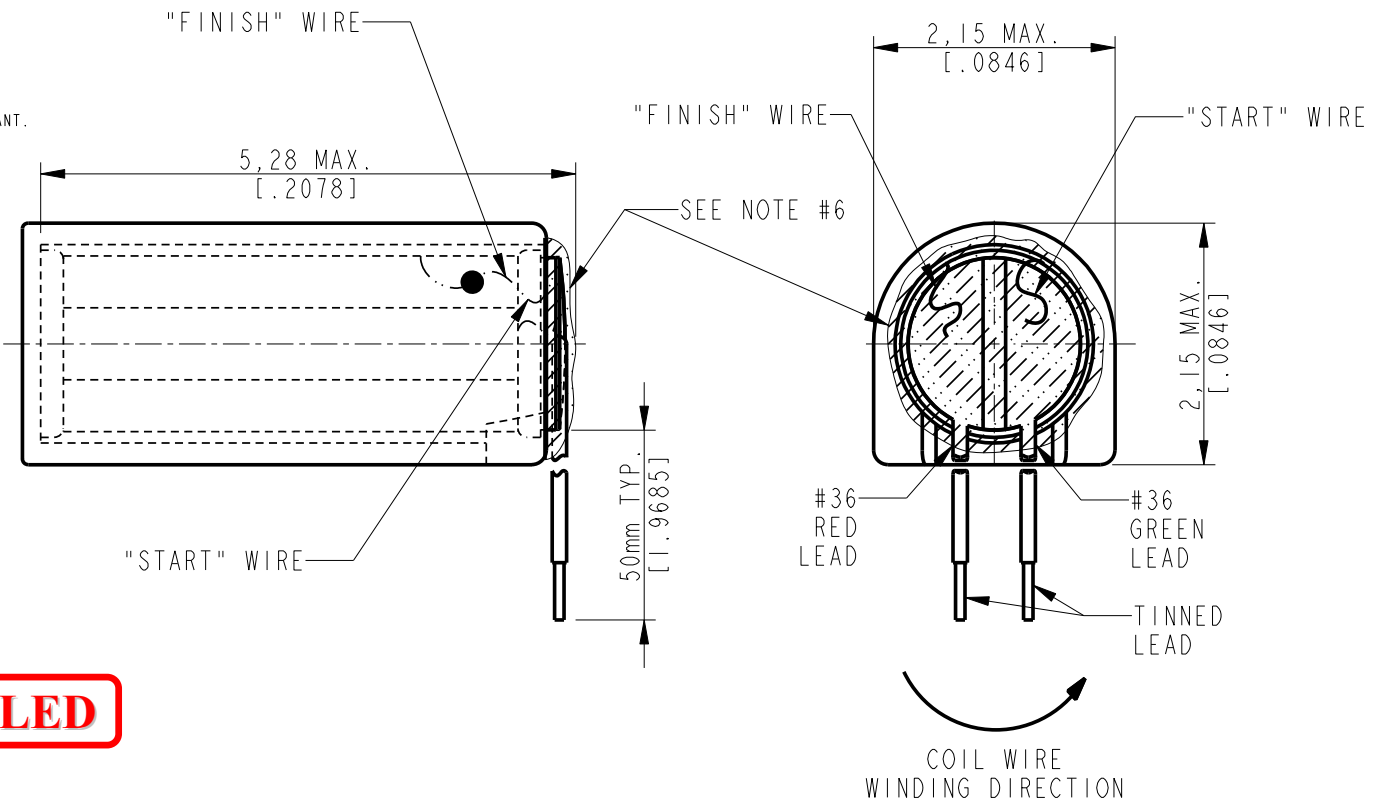
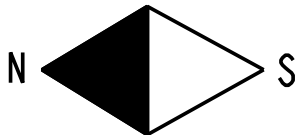


- NOTES:
1. COIL WOUND USING COPPER MAGNET WIRE WITH CLASS 155 SINGLE BUILD POLYURETHANE INSULATION.
 2. FINISH WIRE ON COIL IS SECURED WITH BLUE DOT OF PAINT.
 3. BOBBIN IS FULLY ANNEALED HYMU80 WITH PARYLENE COATING.
 4. WITH A POSITIVE DC VOLTAGE APPLIED TO THE "FINISH" WIRE, THE MAGNETIC FIELD WILL ATTRACT A COMPASS NEEDLE AS SHOWN.
 5. START AND FINISH WIRE TO LIE TIGHT AGAINST COIL.
 6. SEAL AREA BETWEEN COIL AND SLEEVE, AND COMPLETELY COVER START AND FINISH WIRES WITH EPOXY.
 7. START WIRE IS CONNECTED TO THE GREEN LEAD AND THE FINISH WIRE IS CONNECTED TO THE RED LEAD.
 8. SENSITIVITY MEASUREMENT IN dB re 1.0 VOLT WITH A MAGNETIC FIELD STRENGTH OF 1 A/M APPLIED TO THE COIL, LONG AXIS OF THE TELECOIL IS PARALLEL TO THE TEST MAGNETIC FIELD.
 9. SOLDER SHALL NOT CONTAIN LEAD. MUST BE ROHS COMPLIANT.

ELECTRICAL CHARACTERISTICS

# OF TURNS	WIRE SIZE	INDUCTANCE @ 1KHZ (mH)±15%	DCR@25°C (ohms)±10%	SENSITIVE @ 1KHZ (dB) ±2dB	w/10k Ω LOAD
5600	54H HIGH RESISTANCE	170	1800	-61.0	-62.5



RED CONTROLLED

				SCALE: 15:1		MATERIAL: - - -		
				FUNDAMENTAL TOLERANCE: ± 0.03 [0.001]	HEAT TREATMENT:			
				ANGLE TOLERANCE: ± 1°	FINISH:			
				MISMATCH TOLERANCE: ± 0.03 [0.001]	TITLE:			
C	C10110669	1-7-10	SDZ	DATE	NAME	FINISHED 02 STYLE BOBBIN W/RADIAL TERMINAL PAD		
B	C10104995	10/20/06	BCS	DESIGNED	01/10/06			BCS
A	C10103768	01/11/06	BCS	CHECKED	10/20/06			BCS
REV.	CHANGE #	DATE	NAME	RELEASED	10/20/06			TDS
PROPRIETARY NOTE: THIS DOCUMENT CONTAINS INFORMATION WHICH IS THE PROPRIETARY PROPERTY OF KNOWLES ELECTRONICS, LLC. OR ITS AFFILIATED ENTITIES. IT IS ISSUED IN STRICT CONFIDENCE AND SHALL NOT BE REPRODUCED, COPIED, USED, OR DISCLOSED TO ANY THIRD PARTY PARTIALLY OR WHOLLY IN ANY MANNER WITHOUT PRIOR WRITTEN PERMISSION OF, AND MUST BE RETURNED UPON REQUEST BY, KNOWLES ELECTRONICS, LLC.						RELEASED LEVEL: Active	REVISION: C	
						DRAWING NUMBER: 5100-253445	SHEETS: 1 of 1	