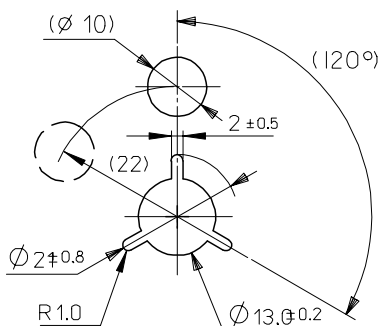
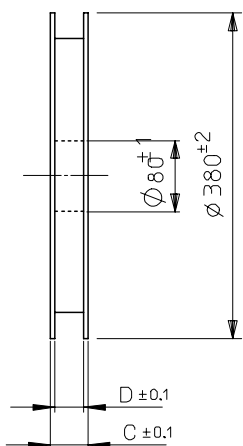
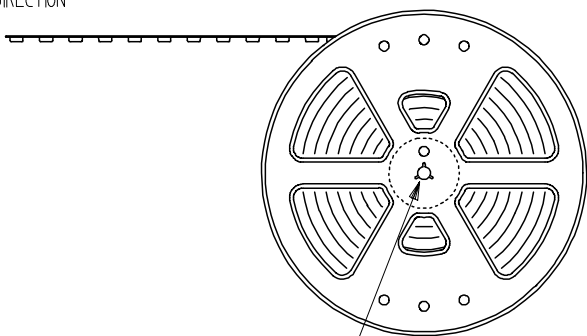


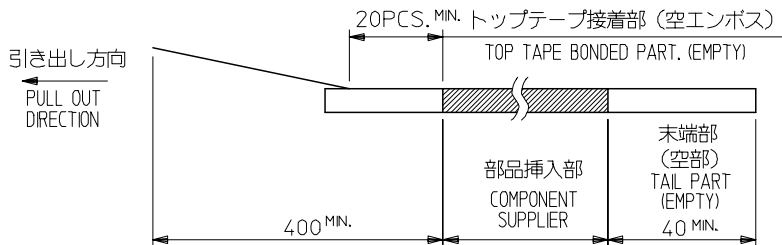
引き出し方向
PULL OUT DIRECTION



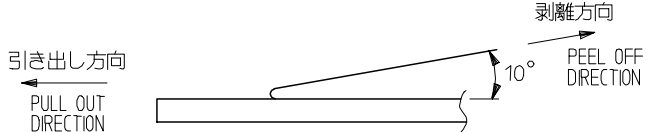
DETAIL "Z"

NOTES

- 製品詳細寸法については図面 SD-51296-007 を参照下さい。
RE DETAILED DIMENSION, SEE SD-51296-007
- 梱包数量：3000個/リール
NUMBER OF CONNECTORS：3000PCS/REEL
- リードテープ長さ LEAD TAPE LENGTH



- トップテープの剥離強度：0.1N ~ 1.3N(10gf ~ 130gf)
(剥離方向は下図参照)
尚、本規格値は出荷時に適用。(但し、輸送時に剥離が発生しないこと。)
PEELING OFF FORCE OF TOP TAPE：0.1N ~ 1.3N(10gf ~ 130gf)
(PEELING DIRECTION AS SHOWN IN FOLLOWING FIG.)
THIS REQUIREMENT SHOULD BE APPLIED AT SHIPMENT.
PEEL OFF SHOULD NOT BE ALLOWED, DURING TRANSPORTATION.



- 材料(MATERIAL)
キャリアテープ(CARRIER TAPE)：ポリプロピレン(POLYPROPYLENE)
トップテープ(TOPTAPE)：PET, PE, PEF
リール(REEL)：ポリスチレン(PS) <リサイクル材を含む>
POLYSTYRENE(PS) <RECYCLE MATERIAL CONTAINED>
- 本製品は、51296-**92 の鉛フリー製品である。
THIS PRODUCT IS LEAD FREE OF 51296-**92.

REVISED EC NO: J2005-1696 DRWN:KONURAKA 2004/12/08 CHKD: 2004/12/08 APPR:HIRAITA 2004/12/14	GENERAL TOLERANCES (UNLESS SPECIFIED)		DIMENSION STYLE MM ONLY		SCALE ---	51296-**93 DESIGN UNITS METRIC	MODEL NO. THIRD ANGLE PROJECTION
	10 UNDER	± ---	DRAWN BY K.MURAKAMI	DATE 2004/02/06	TITLE 0.5 FPC CONN EASY ON HGT=1.3MM EMBSTP PKG -LEAD FREE-		
	10 OVER 30 UNDER	± ---	CHECKED BY S.AIHARA	DATE 2004/02/06	MOLEX INCORPORATED		
	30 OVER	± ---	APPROVED BY M.SASAO	DATE 2004/02/06	DOCUMENT NO. SD-51296-008		
	ANGULAR	± --- °	MATERIAL NO. SEE CHART		SHEET NO. 1 OF 3		
	DRAFT WHERE APPLICABLE MUST REMAIN WITHIN DIMENSIONS		SIZE A3		THIS DRAWING CONTAINS INFORMATION THAT IS PROPRIETARY TO MOLEX INCORPORATED AND SHOULD NOT BE USED WITHOUT WRITTEN PERMISSION		

10 9 8 7 6 5 4 3 2 1

F

E

D

C

B

A

F

E

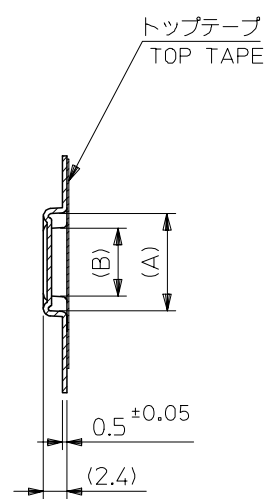
D

C

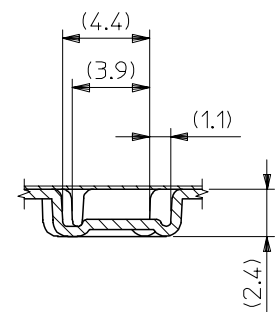
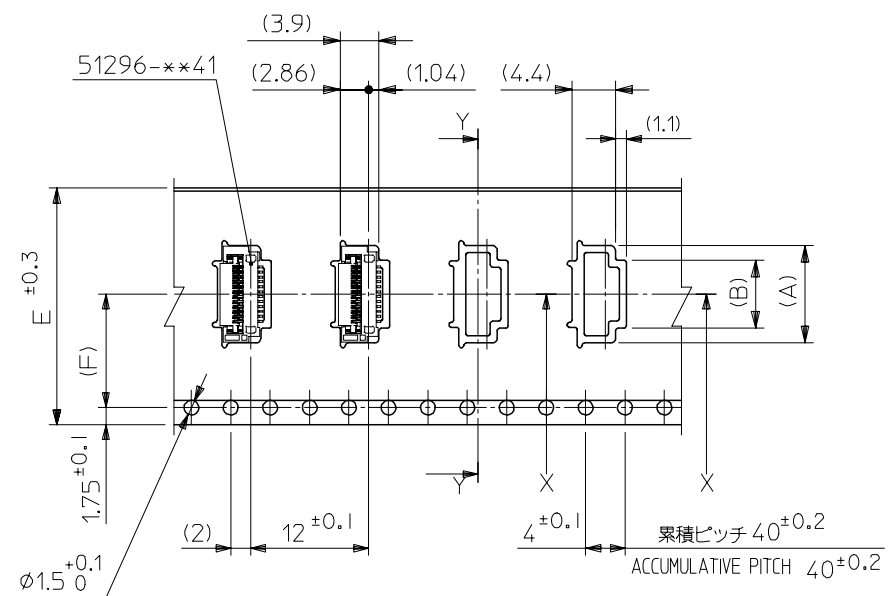
B

A

引き出し方向
PULL OUT DIRECTION



SECT. Y-Y



SECT. X-X

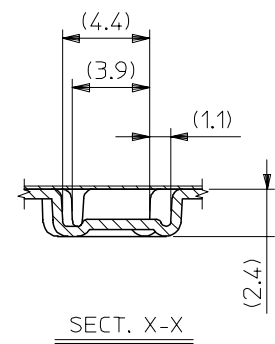
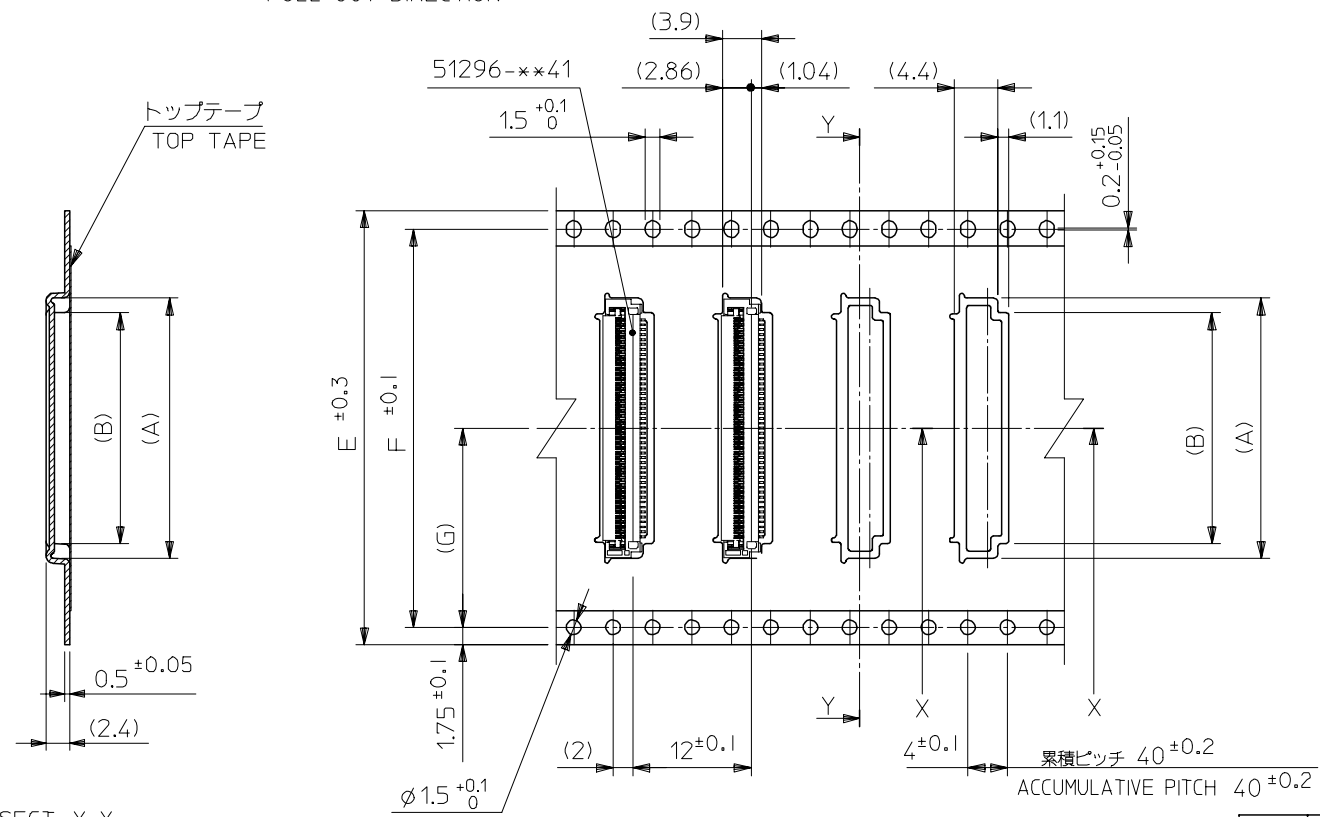
11.5	24	25.4	29.4	9.89	12.9	51296-1893	18
				7.89	10.9	51296-1493	14
				6.89	9.9	51296-1293	12
7.5	16	17.4	21.4	4.89	7.9	51296-0893	8
(F)	E	D	C	(B)	(A)	製品番号 MATERIAL No	極数 Ckt

REVISED EC NO: J2005-1696 DRAWN: KOMURAKA 2004/12/08 CHKD: 2004/12/08 APPR: HIRATA 2004/12/14	GENERAL TOLERANCES (UNLESS SPECIFIED)		DIMENSION STYLE MM ONLY		SCALE ---	DESIGN UNITS METRIC	THIRD ANGLE PROJECTION
	10 UNDER	± ---	DRAWN BY DATE K.MURAKAMI 2004/02/06		TITLE 0.5 FPC CONN EASY ON HGT=1.3MM EMBSTP PKG -LEAD FREE-		
	10 OVER 30 UNDER	± ---	CHECKED BY DATE S.AIHARA 2004/02/06		MOLEX INCORPORATED		
	30 OVER	± ---	APPROVED BY DATE M.SASAO 2004/02/06		DOCUMENT NO. SD-51296-008		
	ANGULAR ± --- °		MATERIAL NO. SEE CHART		SHEET NO. 2 OF 3		
DRAFT WHERE APPLICABLE MUST REMAIN WITHIN DIMENSIONS		THIS DRAWING CONTAINS INFORMATION THAT IS PROPRIETARY TO MOLEX INCORPORATED AND SHOULD NOT BE USED WITHOUT WRITTEN PERMISSION					

10 9 8 7 6 5 4 3 2 1

F
E
D
C
B
A

引き出し方向
PULL OUT DIRECTION

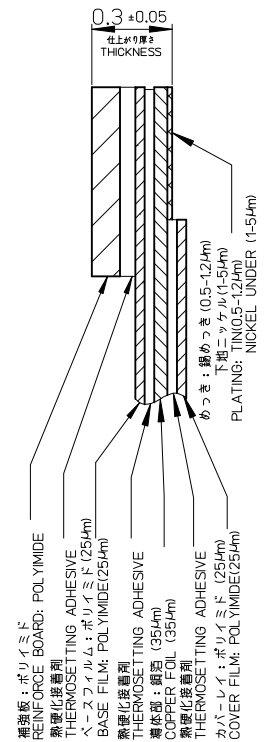
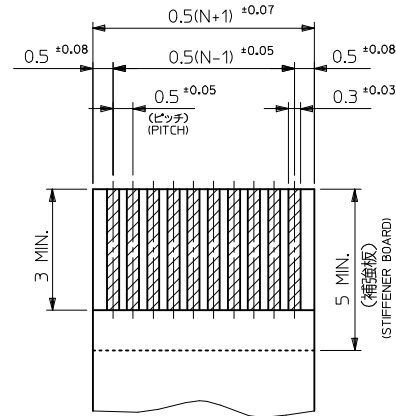
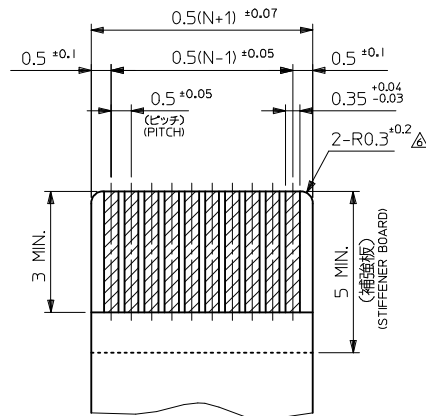
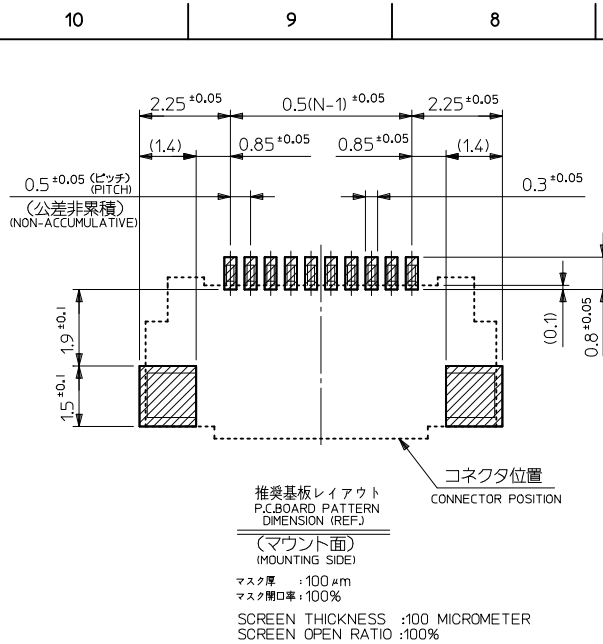


SECT. Y-Y

26.2	52.4	56	57.4	61.4	30.89	33.9	51296-6093	60
					25.89	28.9	51296-5093	50
20.2	40.4	44	45.4	49.4	23.39	26.4	51296-4593	45
					20.89	23.9	51296-4093	40
14.2	28.4	32	33.4	37.4	17.89	20.9	51296-3493	34
(G)	F	E	D	C	(B)	(A)	製品番号 MATERIAL No	極数 Ckt

REVISED EC NO: J2005-1696 DRAWN: KOMURAKA 2004/12/08 CHKD: 2004/12/08 APPR: HIRATA 2004/12/14	GENERAL TOLERANCES (UNLESS SPECIFIED)		DIMENSION STYLE MM ONLY		SCALE ---	DESIGN UNITS METRIC	THIRD ANGLE PROJECTION	
	10 UNDER	± ---	DRAWN BY K.MURAKAMI		DATE 2004/02/06	TITLE 0.5 FPC CONN EASY ON HGT=1.3MM EMBSTP PKG -LEAD FREE-		
	10 OVER 30 UNDER	± ---	CHECKED BY S.AIHARA		DATE 2004/02/06	MOLEX INCORPORATED DOCUMENT NO. SD-51296-008 SHEET NO. 3 OF 3		
	30 OVER	± ---	APPROVED BY M.SASAO		DATE 2004/02/06			
	ANGULAR	± --- °	DRAFT WHERE APPLICABLE MUST REMAIN WITHIN DIMENSIONS		SEE CHART			

9 8 7 6 5 4 3 2 EN-02JA(021)



注記 NOTES

1. 使用材料 MATERIAL

- ハウジング : 液晶ポリマー(LCP), ベージュ, ガラス充填, UL94V-0
HOUSING LIQUID CRYSTAL POLYMER, BEIGE, GLASS FILLED, UL94V-0
- アクチュエータ : ポリアミド(PPS), 黒, ガラス充填, UL94V-0
ACTUATOR POLYAMIDE, BLACK, GLASS FILLED, UL94V-0
- ターミナル : リン青銅 (t=0.18)
TERMINAL PHOSPOR BRONZE
- 金具 : リン青銅 (t=0.15)
FITTING NAIL PHOSPOR BRONZE

2. メッキ仕様 PLATING

- ターミナル TERMINAL
 - 鍍銀ビスマスマッキ (1.0μm以上)
 - TIN SILVER BISMUTH PLATING (1.0 MICROMETER MINIMUM)
 - 下地 : ニッケルめっき(1.0μm以上)
 - UNDER PLATING: NICKEL PLATING (1.0 MICROMETER MINIMUM)
- 金具 FITTING NAIL
 - 鍍メッキ (1.0μm以上)
 - TIN PLATING (1.0 MICROMETER MINIMUM)
 - 下地 : ニッケルめっき(1.0μm以上)
 - UNDER PLATING: NICKEL PLATING (1.0 MICROMETER MINIMUM)

3. エンボステップ梱包時は、アクチュエータが閉じた状態とする。
IN THE PACKAGE, ACTUATOR SHOULD BE CLOSED.

- 偶数極に適用。
APPLY FOR EVEN CIRCUIT.
- パターンはくり止め用金具
FITTING NAIL FOR PREVENTION OF PEELING OF PCB PATTERN.
- R0.3は、FPC導体部にかからないこと。
R0.3 MUST NOT BE OVERLAPPED TO PATTERN OF FPC.
- 極数によりハウジング形状が異なるので注意のこと。
THE HOUSING SHAPE IS DIFFERENT ACCORDING TO THE CIRCUIT.
- テール及び金具の平坦度は、0.1ミリメートル以下とする。
TAIL AND FITTING NAIL COPLANARITY TO BE 0.1 MILLIMETERS.
- ELV及びRoHS適合品
ELV AND RoHS COMPLIANT

FPCについて:

- 抜き方向は、導体側から補強板側を推奨致します。
- 補強フィルム材質は、ポリイミドを推奨致します。
- 接着剤は熱硬化接着剤を推奨します。
- 尚、接着剤の接点部への付着は導通不良の原因になりますので、
- 染み出しが無い様お願い致します。

ABOUT FPC:

- RECOMMENDED PUNCHER DIRECTION:
FROM CONDUCTOR SIDE TO STIFFENER SIDE
- RECOMMENDED MATERIAL : STIFFENER FILM POLYIMIDE
- BONDING AGENT : THERMOSETTING AGENT
- PLEASE PUT APPROPRIATE AMOUNT OF ADHESIVE ON ADHEREND
- BECAUSE THERE IS A POSSIBILITY THAT THE EXTRA ADHESIVE
- CAUSES THE DEFECT IN ELECTRICAL CONTINUITY.

FFC/FPCについて:

- 打抜き方向は導体側から補強板側を推奨致します。
- 導体部については軟銅箔35μmまたは50μmを推奨致します。

ABOUT FFC/FPC:

- RECOMMENDED PUNCHER DIRECTION:
FROM CONDUCTOR SIDE TO STIFFENER FILM SIDE.
- RECOMMENDED CONDUCTOR SPECIFICATION:
THICKNESS OF SOFT COPPER FOIL: 35MICROMETER OR 50 MICROMETER

SEE SHEET 1 OF 2 EC NO: J2014-0096 DRAWN: AISHI 2013/07/18 CHKD: TAKAHASHI 2013/07/18 APPR: YNOGAWA 2013/08/19	GENERAL TOLERANCES (UNLESS SPECIFIED)		DIMENSION STYLE MM ONLY	SCALE ---	DESIGN UNITS METRIC	THIRD ANGLE PROJECTION
	10 UNDER	± ---	DRAWN BY AISHI	DATE 2012/09/19	TITLE 0.5MM FPC CONN F/F E/O HOUSING ASSY	
	10 OVER 30 UNDER	± ---	CHECKED BY TAKAHASHI	DATE 2012/09/19		
	30 OVER	± ---	APPROVED BY KMORIKAWA	DATE 2013/03/15		
ANGULAR	± --- °	MATERIAL NO. SEE SHEET 1		DOCUMENT NO. SD-51296-017	SHEET NO. 2 OF 2	
DRAFT WHERE APPLICABLE MUST REMAIN WITHIN DIMENSIONS		SIZE A3	THIS DRAWING CONTAINS INFORMATION THAT IS PROPRIETARY TO MOLEX INCORPORATED AND SHOULD NOT BE USED WITHOUT WRITTEN PERMISSION			