

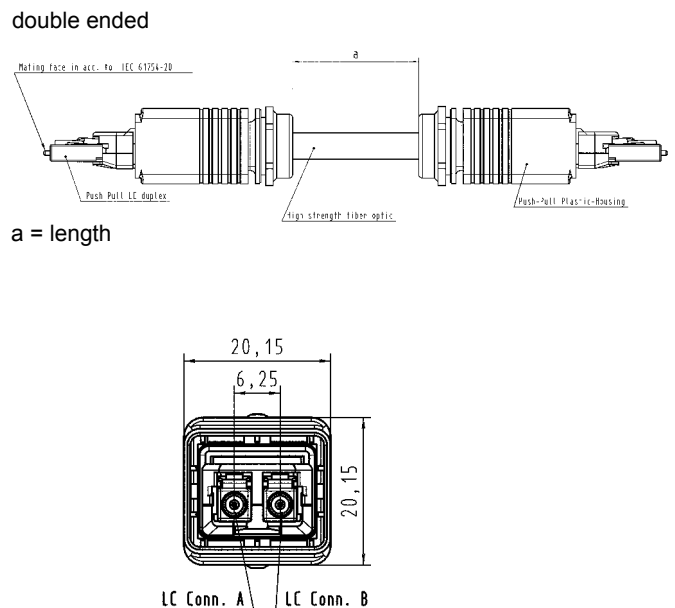


Identification	Part No.	Drawing	Dimensions in mm
----------------	----------	---------	------------------

Fibre optic cable, double ended, multi mode, 62.5 µm

Length: a = 1 m
 a = 5 m
 a = 10 m
 a = 20 m
 a = 40 m
 a = 50 m
 a = 100 m

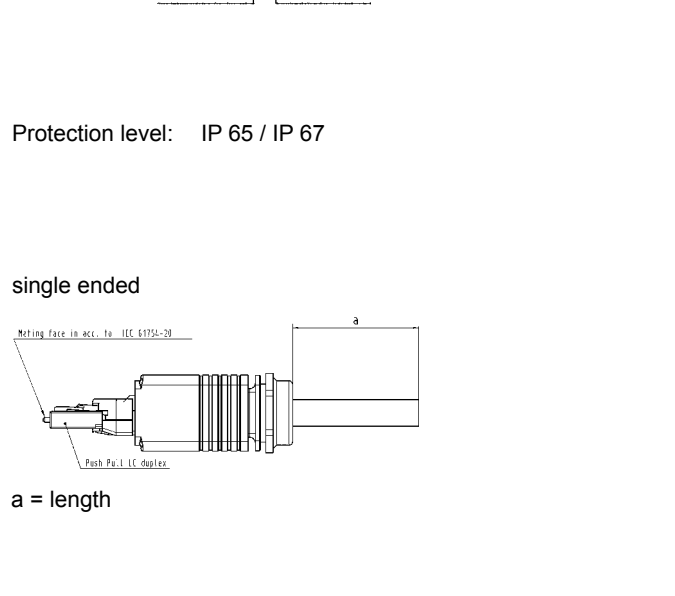
33 58 211 0010 001
 33 58 211 0050 001
 33 58 211 0100 001
 33 58 211 0200 001
 33 58 211 0400 001
 33 58 211 0500 001
 33 58 211 1000 001



Fibre optic cable, single ended, multi mode, 62.5 µm

Length: a = 1 m
 a = 5 m
 a = 10 m
 a = 20 m
 a = 40 m
 a = 50 m
 a = 100 m

33 58 111 0010 001
 33 58 111 0050 001
 33 58 111 0100 001
 33 58 111 0200 001
 33 58 111 0400 001
 33 58 111 0500 001
 33 58 111 1000 001



Fibre optic breakout cable, multi mode, 62.5 µm

Length: 10 m
 Length: 20 m
 Length: 100 m

33 58 751 0100 001
 33 58 751 0200 001
 33 58 751 1000 001

PUR jacket	
2-fibre multi mode	62.5 µm
Outer diameter:	7 mm
Min. bending radius:	
Installation:	10.5 cm
Operating:	7.0 cm