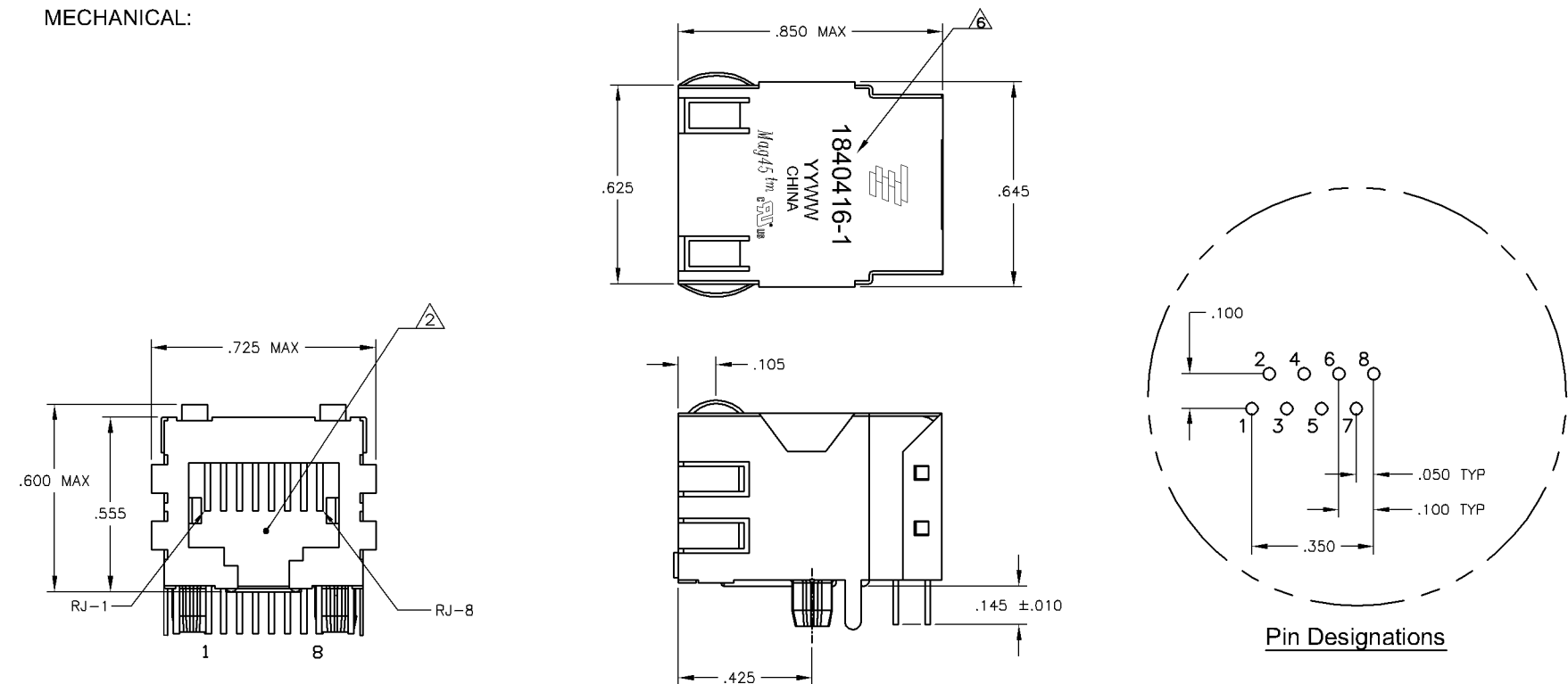


LOC		REV		REVISIONS			
AA	00	P	LR	DESCRIPTION	DATE	DWI	APD
B				ECC-08-031081	02DEC2008	VL	LR

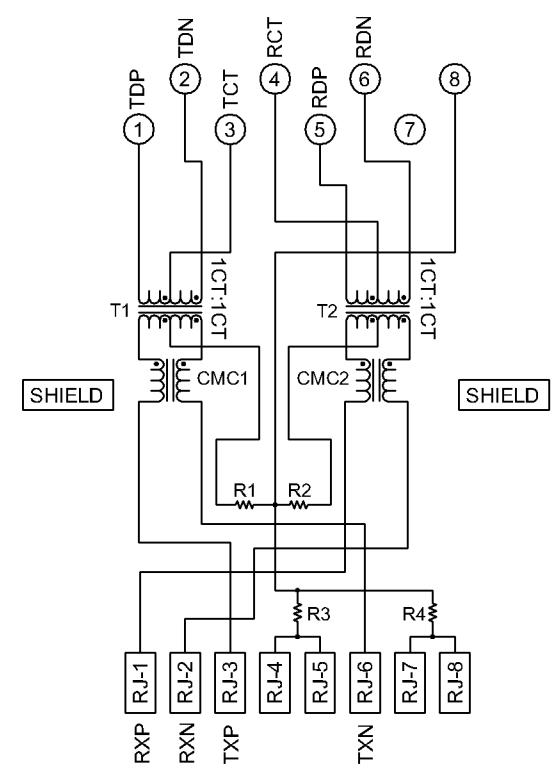
MECHANICAL:



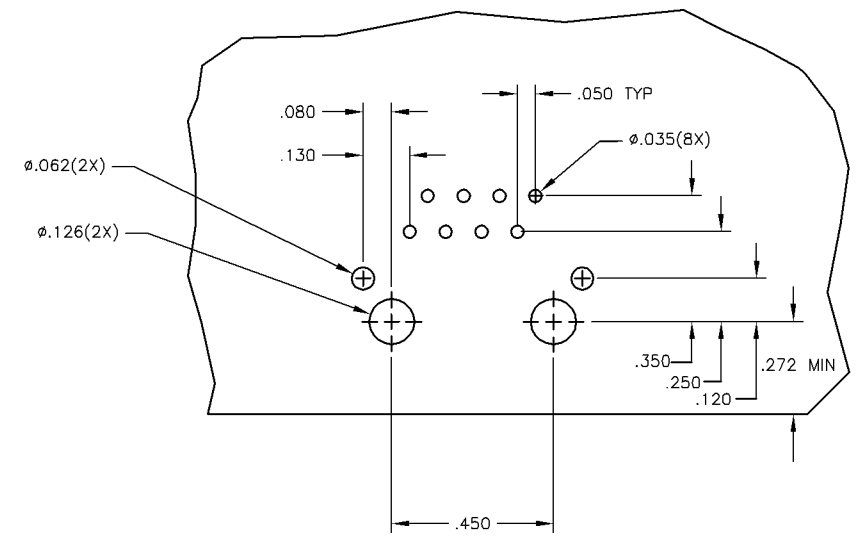
- △ MATERIALS:
 - HOUSING - THERMOPLASTIC PET POLYESTER FLAMMABILITY RATING UL 94V-0.
 - SHIELD - .010" THICK, C26800 BRASS PREPLATED WITH 30uinch MIN SEMI-BRIGHT NICKEL; SOLDER TABS POST-DIPPED WITH 100uinch MIN SAC SOLDER
 - MOD JACK CONTACTS - .0157" x .018" THICK, PHOSPHOR BRONZE, 50uinch MIN OVERALL NICKEL UNDERPLATE, WITH SELECT 50uinch MIN HARD GOLD FINISH PLATE. SOLDER TAILS WITH 100uinch MATTE TIN AND/OR SAC SOLDER DIP.
- △ RJ45 JACK CAVITY CONFORMS TO FCC RULES AND REGULATIONS PART 68, SUB PART F.
- △ MAGNETICS
 - APPLICATION: 10/100 BASE-T, EXTENDED TEMPERATURE
 - IMPEDANCE: 100 OHMS
 - TURNS RATIO (CHIP:CABLE): TX = 1:1, RX = 1:1
 - OPEN CIRCUIT INDUCTANCE (OCL): 350uH MIN @100kHz, 0.1VRMS, 8mADC BIAS FROM -40°C TO +85°C, TX AND RX
 - PERFORMANCE @ 25°C:
 - INSERTION LOSS (IL): 1.1dB MAX FROM 0.5MHz TO 100MHz
 - RETURN LOSS (RL): 18dB MIN FROM 0.5MHz TO 30MHz
 - 18-20LOG(f/30)dB MIN FROM 30.1MHz TO 60MHz
 - 12dB MIN FROM 60.1MHz TO 80MHz
 - CROSSTALK ATTENUATION: 35dB MIN FROM 0.5MHz TO 40MHz
 - 33-20LOG(f/50)dB MIN FROM 40.1MHz TO 100MHz
 - COMMON MODE REJECTION RATIO (CMRR): 30dB MIN FROM 0.5MHz TO 100MHz
 - ISOLATION VOLTAGE: COMPLIES WITH IEEE802.3 2002, PARA 23.5.1.1, ITEM b.

Pin Designations

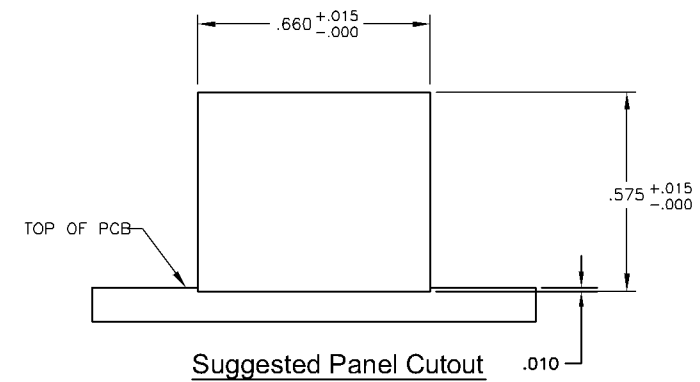
ELECTRICAL:
466ET 10/100 Base-T CIRCUIT △ △



R1-R4 = 75 OHMS, 1/16W RESISTORS



Suggested PCB Layout
(Component Side)



Suggested Panel Cutout

1840416-1
PART NUMBER

THIS DRAWING IS A CONTROLLED DOCUMENT.		DWI: CLOUD ZENG	08AUG2008	Tyco Electronics Corporation	
TECHNICAL LABELS OTHERS: SPECIFIED:		CHK: MICHAEL ZHANG	08AUG2008	ChangPing China	
DIMENSIONS: INCHES:		APD: TEDDY XIONG	08AUG2008	NAME: 1X1 MAG45(TM), 10/100 ETHERNET SCHEMATIC, 466ET MAGNETIC CIRCUIT SHIELDED, NO LEADS	
0 PLG ± -	1 PLG ± -	PROJECT ENG:	108-2100	SIZE: A1	DATE CODE: 00779
2 PLG ± .010	3 PLG ± .005	APPLICATION SPEC:		DRAWING NO: 1840416	RESTRICTED TO:
4 PLG ± -	5 PLG ± -	MATERIAL:		SCALE: NTS	SHEET 1 OF 1
FINISH:		WEIGHT:		REV: B	
CUSTOMER DRAWING					