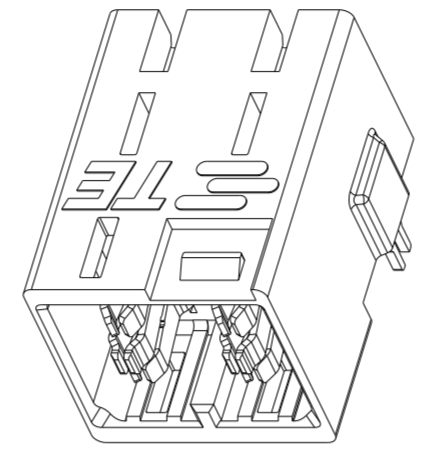
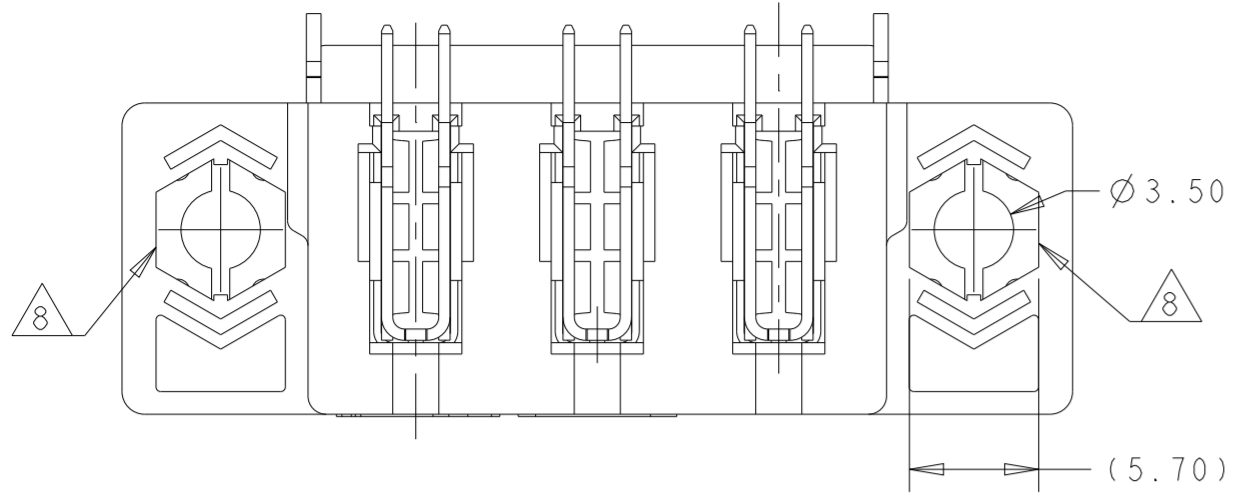
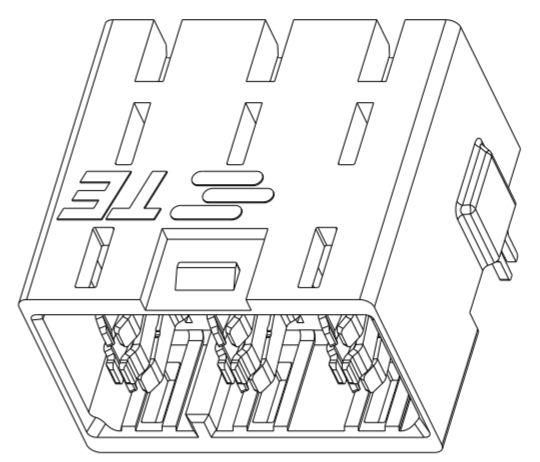


THIS DRAWING IS UNPUBLISHED. RELEASED FOR PUBLICATION 20
 © COPYRIGHT 20 BY - ALL RIGHTS RESERVED.

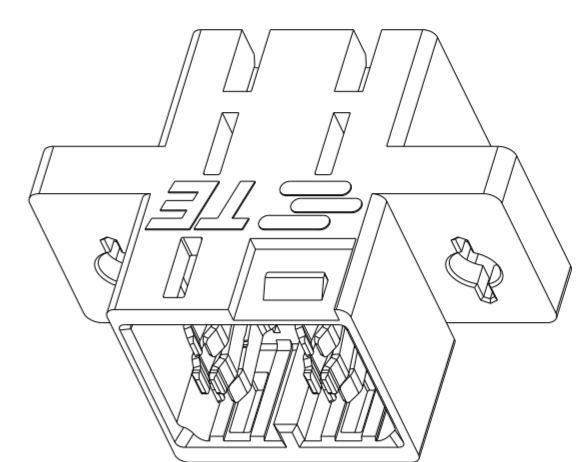
REVISIONS					
P	LTR	DESCRIPTION	DATE	DWN	APVD
A		INITIAL RELEASE	14SEP2021		



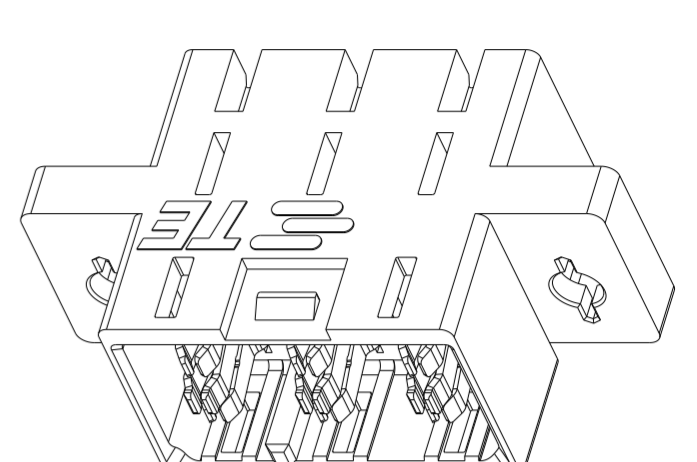
2332665-1
SCALE 2:1



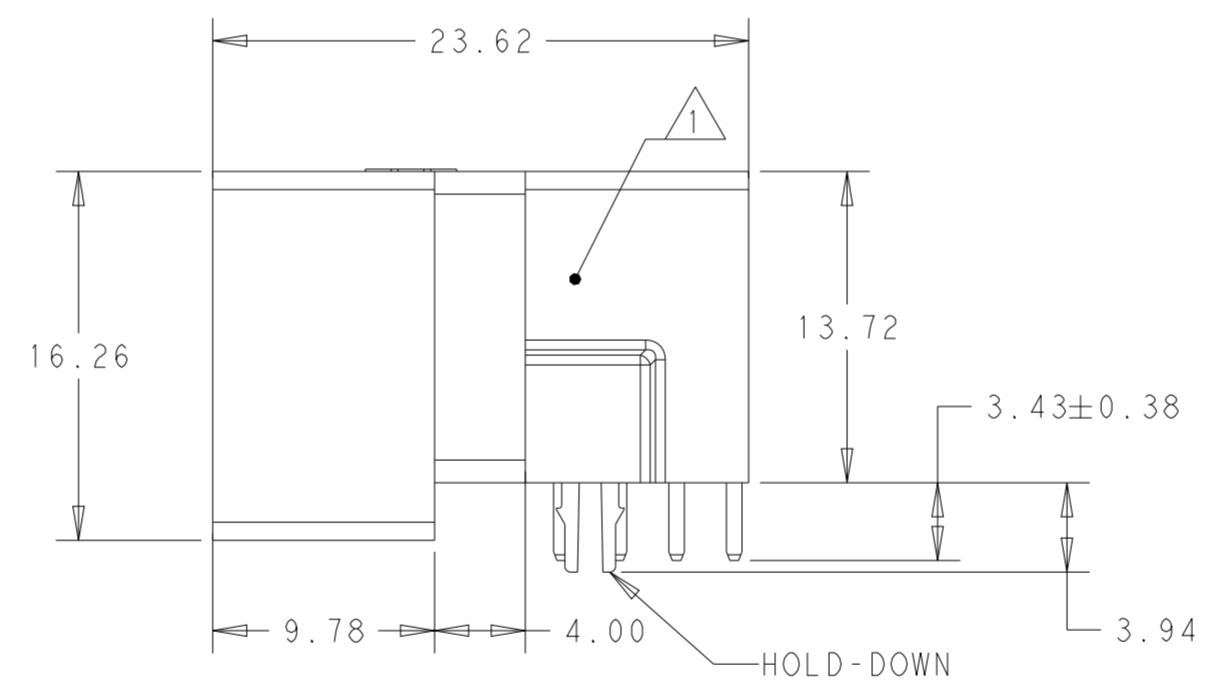
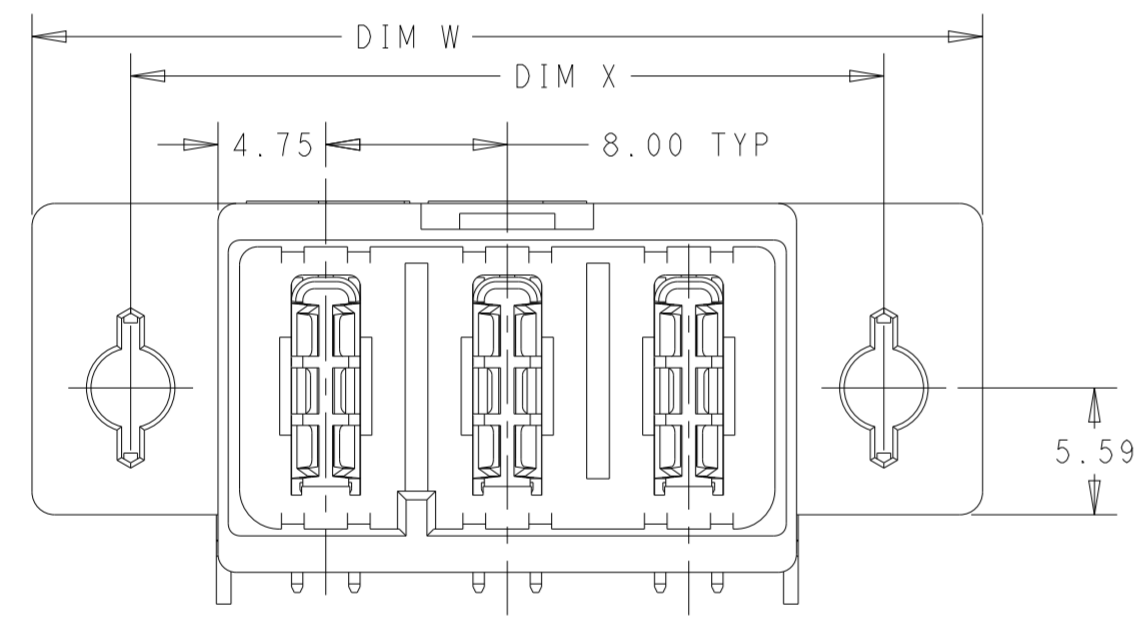
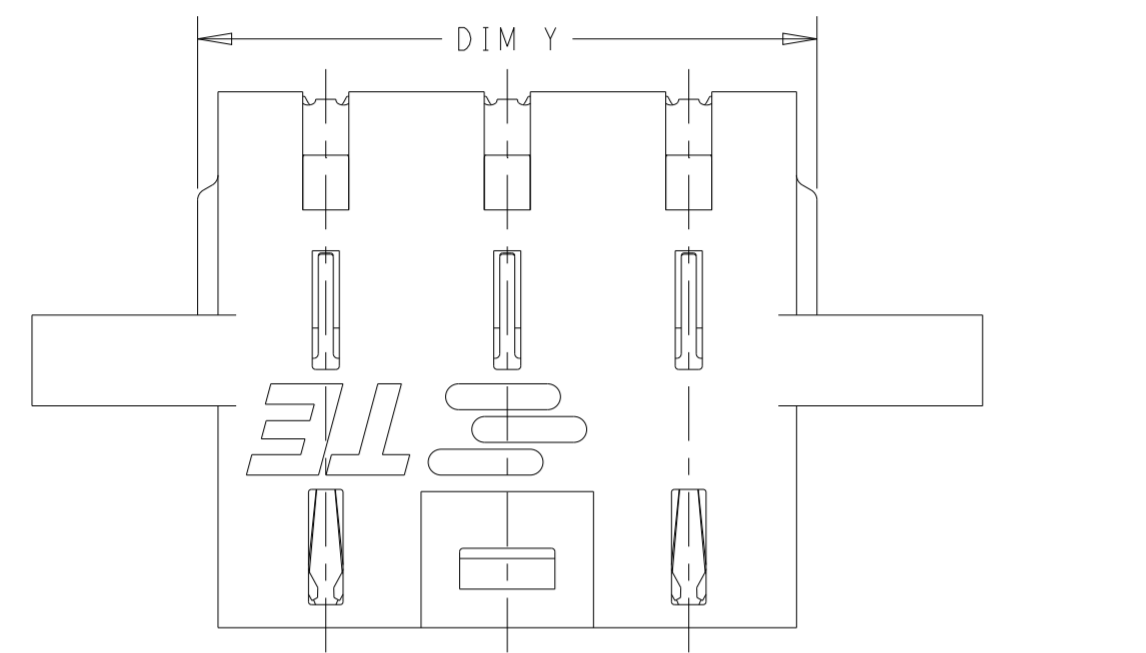
2332665-2
SCALE 2:1



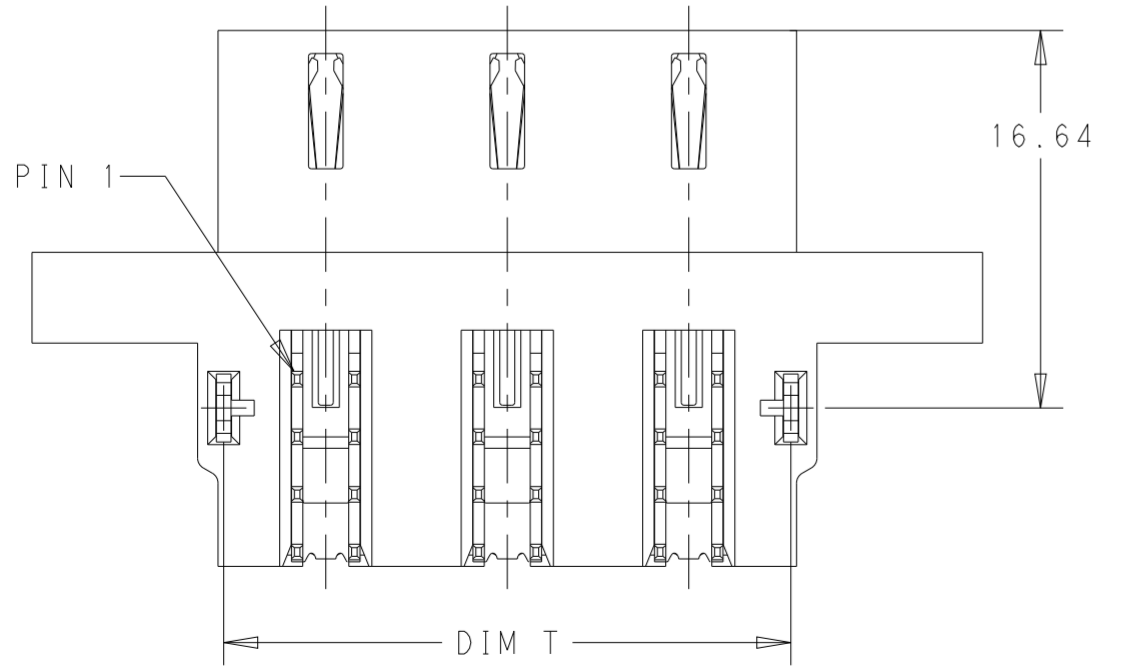
2332665-3
SCALE 2:1



2332665-4
SCALE 2:1



- 1 PART NUMBER AND DATECODE TO BE MARKED IN AREA SHOWN.
- 2 MATERIAL: HOUSING - GLASS FILLED HIGH TEMP THERMO PLASTIC, ORANGE, UL94 V-0
CONTACTS - HIGH CONDUCTIVITY COPPER ALLOY
HOLD-DOWNS - COPPER ALLOY
- 3 PLATING: CONTACTS - Ni UNDER ALL.
Au AT CONTACT AREA.
Sn AT PCB INTERFACE.
HOLD-DOWNS - TIN WITH NICKEL UNDERPLATING
- 4 MECHANICAL CONNECTOR KEEP OUT ZONE.
- 5 DATUM AND BASIC DIMENSIONS ESTABLISHED BY CUSTOMER.
- 6 PCB - HOLE DIAMETERS ARE FINISHED HOLE SIZE.
- 7 PCB - 1.15±0.03 DRILLED HOLES PLATED WITH .0076 MIN Sn OVER .0254 TO .0762 Cu PLATING TO ACHIEVE A 1.02 DIA HOLE.
- 8 FEATURES DESIGNED TO RETAIN M3 THIN HEX NUT (DIN 439)



26.50	41.90	33.20	25.00	42.10	27.30	SOLDER TAIL	YES	3 POSITION	2332665-4
18.50	33.90	25.20	17.00	34.10	19.30	SOLDER TAIL	YES	2 POSITION	2332665-3
-	-	-	25.00	27.50	27.30	SOLDER TAIL	NO	3 POSITION	2332665-2
-	-	-	17.00	19.50	19.30	SOLDER TAIL	NO	2 POSITION	2332665-1
DIM Z	DIM W	DIM X	DIM T	DIM R	DIM Y	CONTACT STYLE	PANEL MOUNT FEATURES	DESCRIPTION	PART NO.

THIS DRAWING IS A CONTROLLED DOCUMENT.

DWN: K. MILLER 04SEP2018
 CHK: N. RUFFINI 05SEP2018
 APVD: -

STE TE Connectivity

NAME: UMP, PLUG, CONNECTOR ASSEMBLY PCB MOUNT

PRODUCT SPEC: 108-163021
 APPLICATION SPEC: 114-163021

SIZE: A2 CAGE CODE: 00779 DRAWING NO: C-2332665 RESTRICTED TO: -

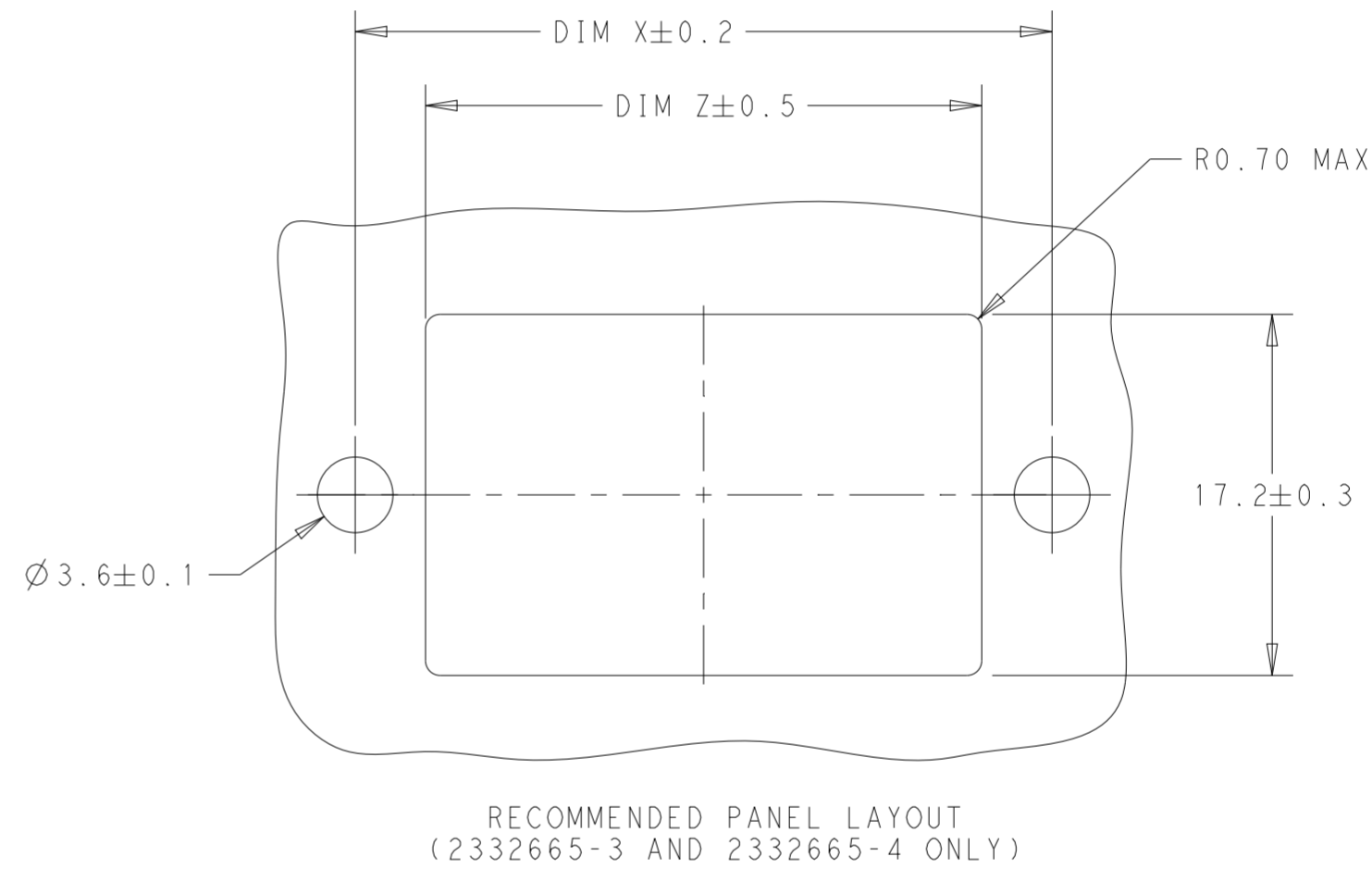
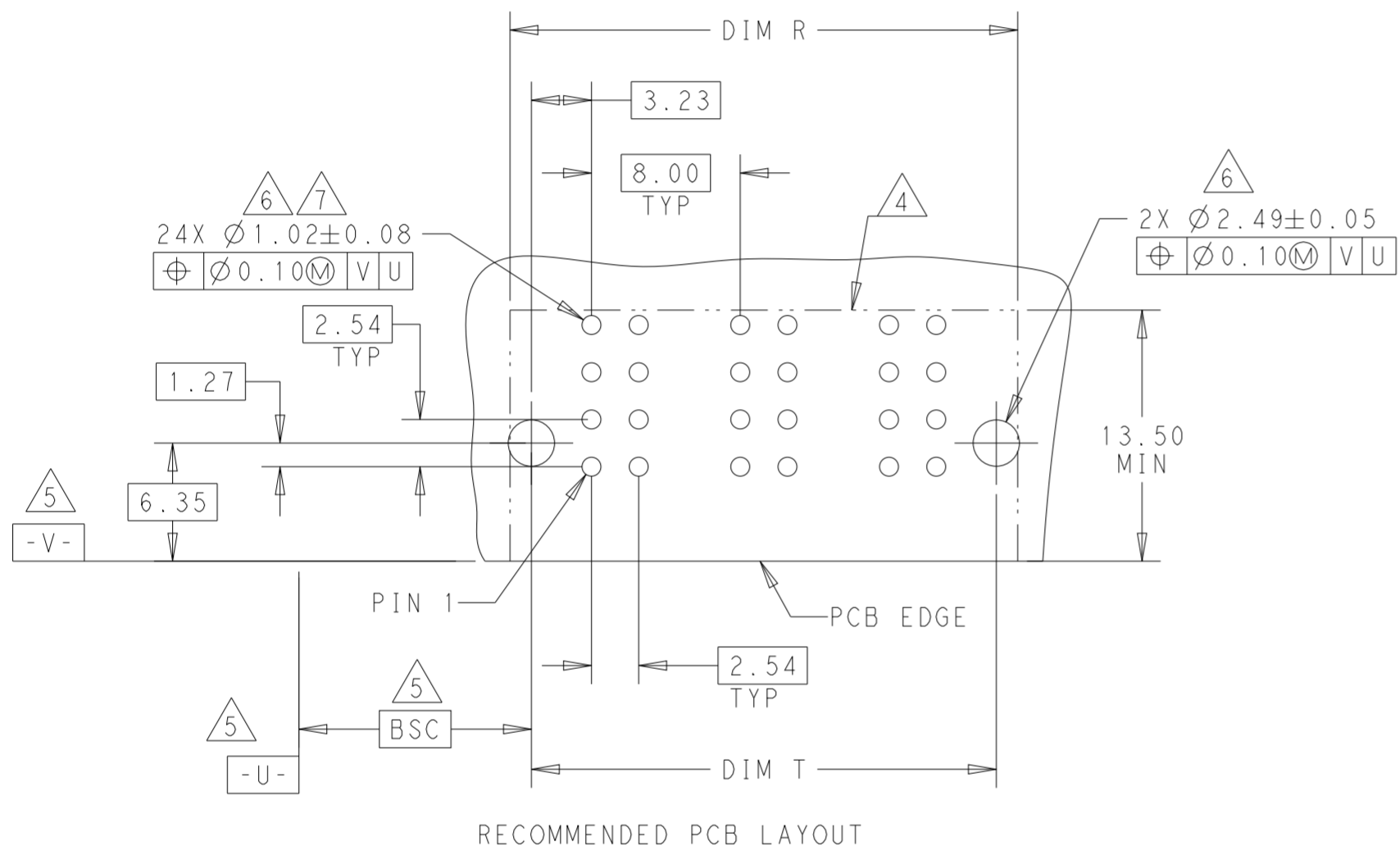
MATERIAL: 2 TOLERANCES UNLESS OTHERWISE SPECIFIED: 3

0 PLC ±-
 1 PLC ±0.25
 2 PLC ±0.13
 3 PLC ±-
 4 PLC ±-
 ANGLES ±2°
 FINISH

CUSTOMER DRAWING SCALE: 3:1 SHEET: 1 OF 2 REV: A

THIS DRAWING IS UNPUBLISHED. RELEASED FOR PUBLICATION 20
 © COPYRIGHT 20 BY - ALL RIGHTS RESERVED.

REVISIONS				
P	LTR	DESCRIPTION	DATE	APVD
-	-	SEE SHEET 1	-	-



THIS DRAWING IS A CONTROLLED DOCUMENT.		DWN K. MILLER 04SEP2018	TE Connectivity	
		CHK N. RUFFINI 05SEP2018		
DIMENSIONS:	TOLERANCES UNLESS OTHERWISE SPECIFIED:	APVD -	NAME	UMP, PLUG, CONNECTOR ASSEMBLY PCB MOUNT
mm	0 PLC ±- 1 PLC ±0.25 2 PLC ±0.13 3 PLC ±- 4 PLC ±- ANGLES ±2° FINISH	PRODUCT SPEC 108-163021	SIZE	114-163021
MATERIAL		APPLICATION SPEC 114-163021	CAGE CODE	A200779
		WEIGHT -	DRAWING NO	C-2332665
		CUSTOMER DRAWING	RESTRICTED TO	-
		SCALE 3:1	SHEET 2 OF 2	REV A