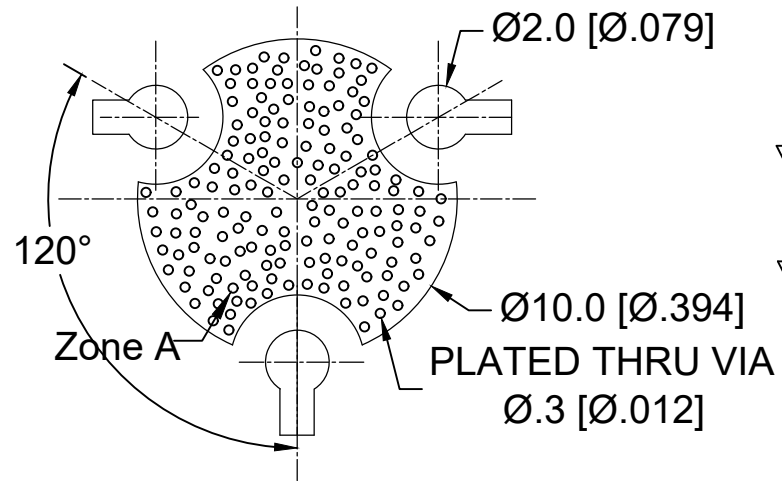
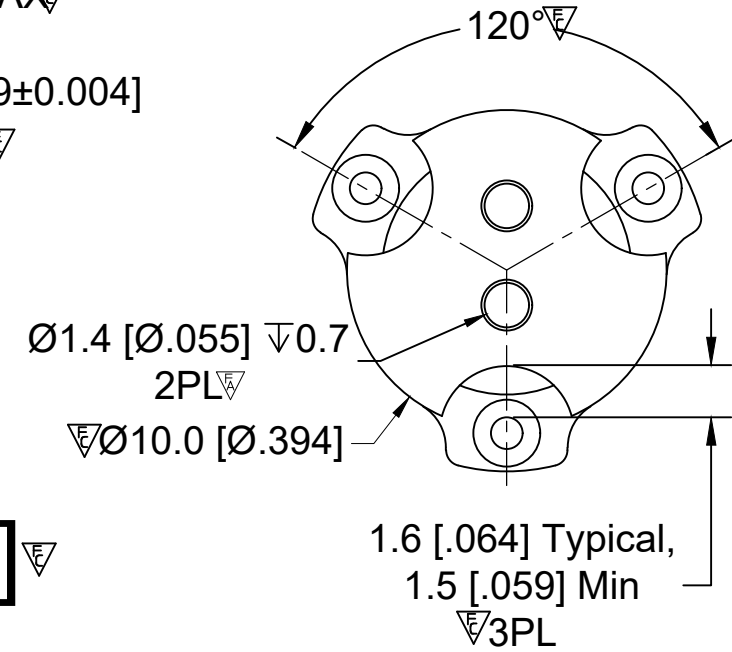
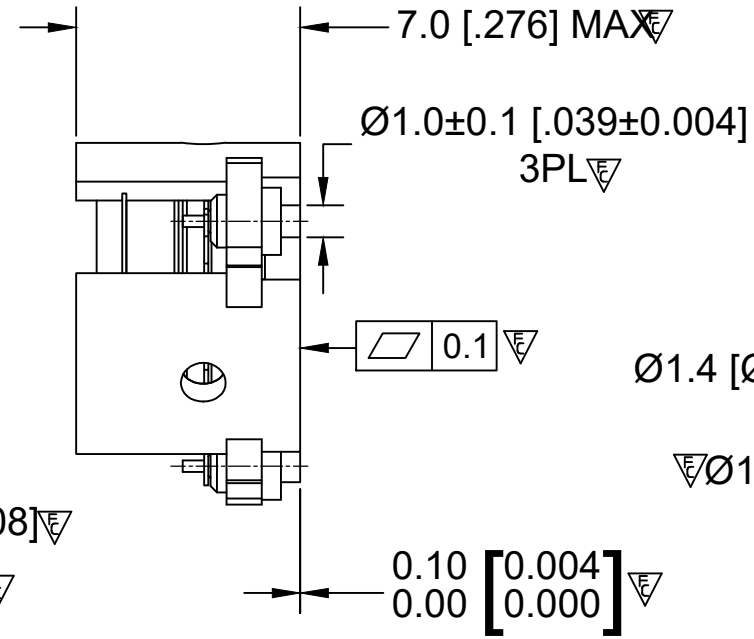
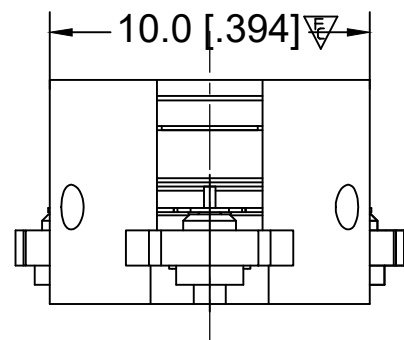
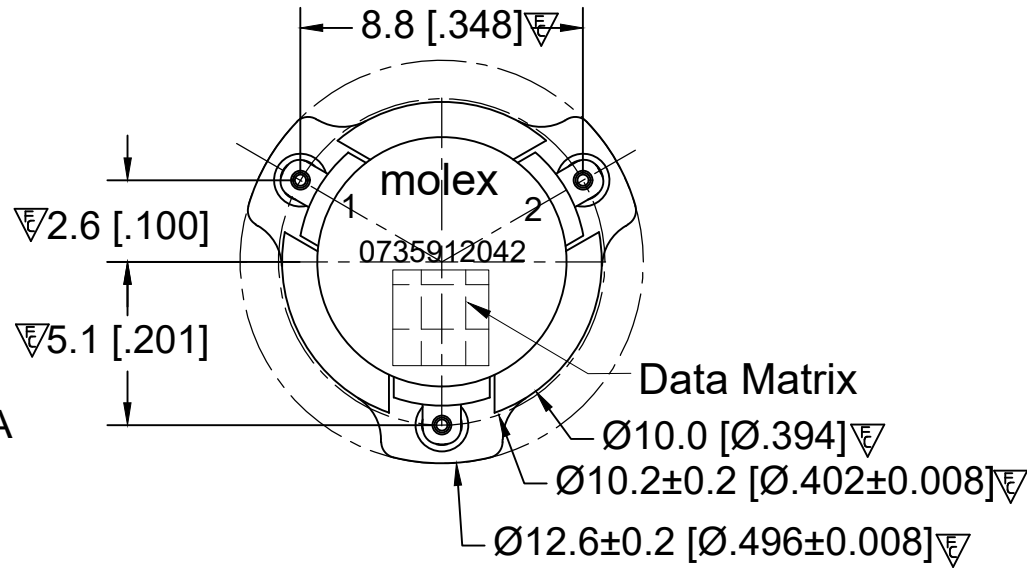


RECOMMENDED LAND PATTERN :

Zone A must be attached to heat sink. Thermal conductivity of intermediate layers between Zone A and heat sink must be better than 0.1 W / [°C x mm].



PCB Material :Rogers RO4350B,0.508mm thickness
trace width 1.07mm wide.



ELECTRICAL SPECIFICATION :

Frequency Range : 5150~5925 MHz
 Insertion Loss : 0.40 dB max,0.35 dB Typical
 Isolation : 19 dB min, 20 dB Typical
 Return Loss : 19 dB min, 20 dB Typical
 IMD3(2x1W CW tones,1MHz spacing): -60dBc max
 Average power: : 50W
 Peak Power: : 200W
 Operating Temperature : -40°C to +105°C
 Storage Temperature : -55°C to +125°C
 Direction : CW

BODY: CARBON STEEL, SILVER PLATED
 RIGID PINS: COPPER, SILVER PLATED

NOTES:

- 1.STANDARD INPUT/OUTPUT IMPEDANCE 50 Ohm
- 2.LEAD FREE, NO Nd MATERIAL, BeO FREE
- 3.THE DIMENSION OF DATE MATRIX IS 3X3MM INFORMATION INCLUDING WORK ORDER NUMBER-SERIAL NUMBER-MATERIAL NUMBER
- 4.THIS PART COMPLIES WITH ALL RoHS REQUIREMENTS

ENG PART#:802-515-592-VP040

FUNCTIONAL SYMBOLS	THIS DRAWING CONTAINS INFORMATION THAT IS PROPRIETARY TO MOLEX ELECTRONIC TECHNOLOGIES, LLC AND SHOULD NOT BE USED WITHOUT WRITTEN PERMISSION		CURRENT REV DESC:		molex
	DIMENSION UNITS	SCALE	RELEASE TO PROD		
▽FA=0	MM	1:1	EC NO: 696580		SMSJ CIRCULATOR/5150~5925MHZ/CW
▽E=0	GENERAL TOLERANCES (UNLESS SPECIFIED)		DRWN: SREN05	2022/02/21	
▽EP=0			CHK'D: JLI252	2022/02/23	RESTRICTED PRODUCT CUSTOMER DRAWING
DIVISIONAL SYMBOLS			APPR: HWANG186	2022/03/01	
			INITIAL REVISION:		DOCUMENT NUMBER
			DRWN: SREN05	2021/11/15	735912042
			APPR: HWANG186	2022/03/01	PSD 000 A
			DRAFT WHERE APPLICABLE MUST REMAIN WITHIN DIMENSIONS		MATERIAL NUMBER
			THIRD ANGLE PROJECTION	DRAWING	SERIES
			A3-SIZE	73591	0735912042
					CUSTOMER
					SHEET NUMBER
					1 OF 1