

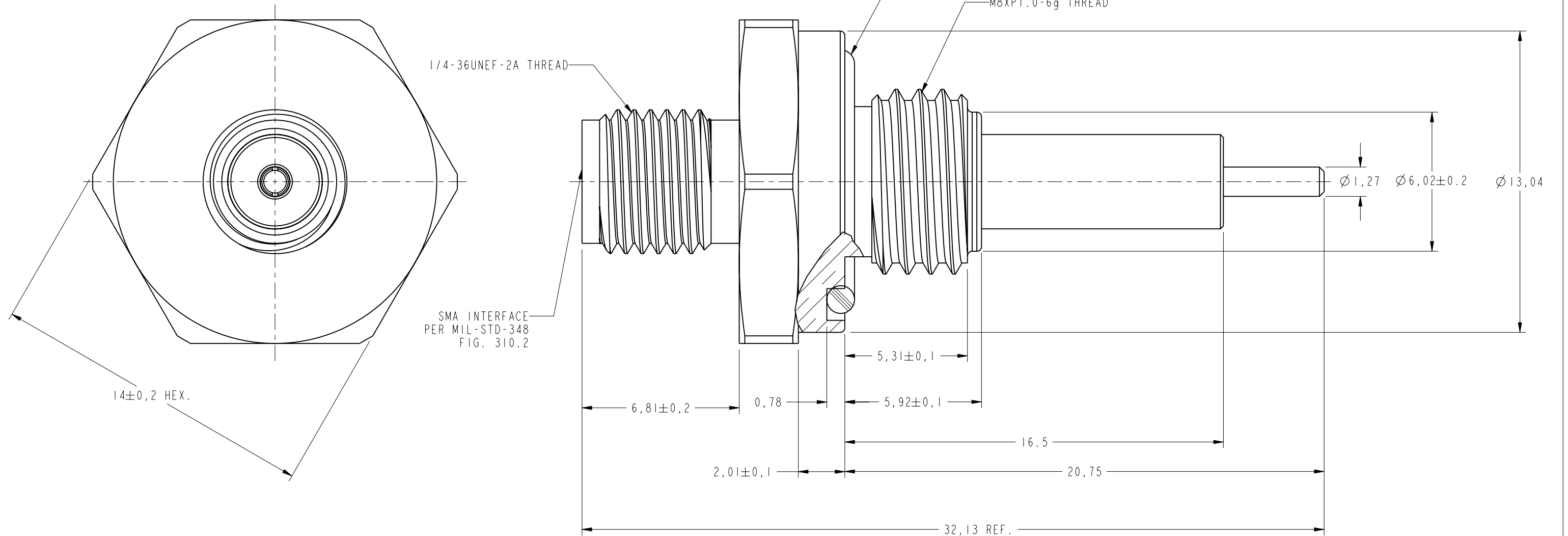
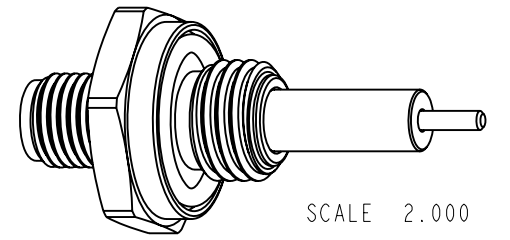
NOTES:

1. MATERIALS AND FINISHES(PLATING THICKNESS IN MICRO-INCHES):  
 BODY - BRASS, GOLD PLATING  
 CONTACT - BERYLLIUM COPPER, GOLD PLATING  
 INSULATOR - PTFE
2. ELECTRICAL:  
 A. IMPEDANCE: 50 OHM  
 B. FREQUENCY RANGE: DC-3 GHz  
 C. VSWR(RETURN LOSS): 1.1, MAX.  
 D. DIELECTRIC WITHSTANDING VOLTAGE: 750 VRMS, MIN.
3. MECHANICAL:  
 A. DURABILITY: 500 CYCLES MIN.  
 B. TEMPERATURE RANGE: -65° C TO +165° C  
 C. SEALING REQUIREMENTS: DESIGN WHEN MOUNTED ON PANEL MUST WITHSTAND WATER PRESSURE AT DEPTH OF 1.1 M FOR 30 MINS WITHOUT ANY SIGN OF LEAKAGE

THIRD ANGLE PROJ.

REVISIONS

REV	DESCRIPTION	DATE	ECO	APPR
A	PRELIMINARY RELEASE	4-Nov-08	47339	MZ
B	SEE SHEET 1	16-Feb-09	47443	SCOTT
C	SEE SHEET 1	27-Nov-09	47904	SCOTT
D	CHANGE O-RING PART WIRE DIAMETER \RD-DM11071301S2	22-Jul-11	48681	SCOTT



**CUSTOMER OUTLINE DRAWING**  
 ALL OTHER SHEETS ARE FOR INTERNAL USE ONLY

UNLESS OTHERWISE SPECIFIED, DIMENSIONS ARE IN METRIC AND TOLERANCES ARE:  
 <0.5mm ±0.05mm    0.5 - 6mm ±0.1mm    6 - 30mm ±0.2mm    30 - 120mm ±0.3mm    ANGLES ±1°

NOTICE - These drawings, specifications, or other data (1) are, and remain the property of Amphenol corp. (2) must be returned upon request; and (3) are confidential and not to be disclosed to any person other than those to whom they are given by Amphenol Corp. the furnishing of these drawings, specifications, or other data by Amphenol Corp., or to any other person to anyone for any purpose is not to be regarded by implication or otherwise in any manner licensing, granting rights to permitting such holder or any other person to manufacture, use or sell any product, process or design, patented or otherwise, that may in any way be related to or disclosed by said drawings, specifications, or other data.

MATERIAL	-
REFERENCE	EAR#2703 AND Reference 901-10064
CONFIGURATION LEVEL:	<input type="checkbox"/> <input type="checkbox"/> <input type="checkbox"/>
FINISH	-

DRAWN	S.DUAN	DATE	22-Jul-11
ENGINEER	R.YU	DATE	04-Nov-08
APPROVED	S.HSIEH	DATE	22-Jul-11
CAD FILE	I:\SMA\901-10252		

TITLE		SMA BULKHEAD RECEPTACLE(IP 68)	
SCALE:	6.0:1.0	SHEET	2 OF 2
DWG SIZE	B	REV	D

Amphenol RF	
www.amphenolrf.com	
DRAWING NO.901-10252	
ITEM NO.901-10252	
PART NO.901-10252	