



Power contactor, AC-3 7 A, 3 kW / 400 V 1 NO, AC 277, 60 Hz 3-pole, Size S00 screw terminal

| | |
|---|--|
| product brand name | SIRIUS |
| product designation | Power contactor |
| product type designation | 3RT2 |
| General technical data | |
| size of contactor | S00 |
| product extension | |
| <ul style="list-style-type: none"> function module for communication auxiliary switch | <p>No</p> <p>Yes</p> |
| power loss [W] for rated value of the current | |
| <ul style="list-style-type: none"> at AC in hot operating state at AC in hot operating state per pole without load current share typical | <p>0.6 W</p> <p>0.2 W</p> <p>4.8 W</p> |
| insulation voltage | |
| <ul style="list-style-type: none"> of main circuit with degree of pollution 3 rated value of auxiliary circuit with degree of pollution 3 rated value | <p>690 V</p> <p>690 V</p> |
| surge voltage resistance | |
| <ul style="list-style-type: none"> of main circuit rated value of auxiliary circuit rated value | <p>6 kV</p> <p>6 kV</p> |
| maximum permissible voltage for safe isolation between coil and main contacts according to EN 60947-1 | 400 V |
| shock resistance at rectangular impulse | |
| <ul style="list-style-type: none"> at AC | 6,7g / 5 ms, 4,2g / 10 ms |
| shock resistance with sine pulse | |
| <ul style="list-style-type: none"> at AC | 10,5g / 5 ms, 6,6g / 10 ms |
| mechanical service life (switching cycles) | |
| <ul style="list-style-type: none"> of contactor typical of the contactor with added electronically optimized auxiliary switch block typical of the contactor with added auxiliary switch block typical | <p>30 000 000</p> <p>5 000 000</p> <p>10 000 000</p> |
| reference code according to IEC 81346-2 | Q |
| Substance Prohibitance (Date) | 10/01/2009 |
| Ambient conditions | |
| installation altitude at height above sea level maximum | 2 000 m |
| ambient temperature | |
| <ul style="list-style-type: none"> during operation during storage | <p>-25 ... +60 °C</p> <p>-55 ... +80 °C</p> |
| relative humidity minimum | 10 % |
| relative humidity at 55 °C according to IEC 60068-2-30 maximum | 95 % |

Main circuit

| | |
|--|---------------------|
| number of poles for main current circuit | 3 |
| number of NO contacts for main contacts | 3 |
| operating voltage | |
| • at AC-3 rated value maximum | 690 V |
| • at AC-3e rated value maximum | 690 V |
| operational current | |
| • at AC-1 at 400 V at ambient temperature 40 °C rated value | 18 A |
| • at AC-1 | |
| — up to 690 V at ambient temperature 40 °C rated value | 18 A |
| — up to 690 V at ambient temperature 60 °C rated value | 16 A |
| • at AC-3 | |
| — at 400 V rated value | 7 A |
| — at 500 V rated value | 6 A |
| — at 690 V rated value | 4.9 A |
| • at AC-3e | |
| — at 400 V rated value | 7 A |
| — at 500 V rated value | 6 A |
| — at 690 V rated value | 4.9 A |
| • at AC-4 at 400 V rated value | 6.5 A |
| • at AC-5a up to 690 V rated value | 15.8 A |
| • at AC-5b up to 400 V rated value | 5.8 A |
| • at AC-6a | |
| — up to 230 V for current peak value n=20 rated value | 4 A |
| — up to 400 V for current peak value n=20 rated value | 4 A |
| — up to 500 V for current peak value n=20 rated value | 3.8 A |
| — up to 690 V for current peak value n=20 rated value | 3.6 A |
| • at AC-6a | |
| — up to 230 V for current peak value n=30 rated value | 2.7 A |
| — up to 400 V for current peak value n=30 rated value | 2.7 A |
| — up to 500 V for current peak value n=30 rated value | 2.5 A |
| — up to 690 V for current peak value n=30 rated value | 2.4 A |
| minimum cross-section in main circuit at maximum AC-1 rated value | 2.5 mm ² |
| operational current for approx. 200000 operating cycles at AC-4 | |
| • at 400 V rated value | 2.6 A |
| • at 690 V rated value | 1.8 A |
| operational current | |
| • at 1 current path at DC-1 | |
| — at 24 V rated value | 15 A |
| — at 110 V rated value | 1.5 A |
| — at 220 V rated value | 0.6 A |
| — at 440 V rated value | 0.42 A |
| — at 600 V rated value | 0.42 A |
| • with 2 current paths in series at DC-1 | |
| — at 24 V rated value | 15 A |
| — at 110 V rated value | 8.4 A |
| — at 220 V rated value | 1.2 A |
| — at 440 V rated value | 0.6 A |
| — at 600 V rated value | 0.5 A |
| • with 3 current paths in series at DC-1 | |

| | |
|---|---|
| — at 24 V rated value | 15 A |
| — at 110 V rated value | 15 A |
| — at 220 V rated value | 15 A |
| — at 440 V rated value | 0.9 A |
| — at 600 V rated value | 0.7 A |
| ● at 1 current path at DC-3 at DC-5 | |
| — at 24 V rated value | 15 A |
| — at 110 V rated value | 0.1 A |
| ● with 2 current paths in series at DC-3 at DC-5 | |
| — at 24 V rated value | 15 A |
| — at 110 V rated value | 0.25 A |
| ● with 3 current paths in series at DC-3 at DC-5 | |
| — at 24 V rated value | 15 A |
| — at 110 V rated value | 15 A |
| — at 220 V rated value | 1.2 A |
| — at 440 V rated value | 0.14 A |
| — at 600 V rated value | 0.14 A |
| operating power | |
| ● at AC-2 at 400 V rated value | 3 kW |
| ● at AC-3 | |
| — at 230 V rated value | 1.5 kW |
| — at 400 V rated value | 3 kW |
| — at 500 V rated value | 3 kW |
| — at 690 V rated value | 4 kW |
| ● at AC-3e | |
| — at 230 V rated value | 1.5 kW |
| — at 400 V rated value | 3 kW |
| — at 500 V rated value | 3 kW |
| — at 690 V rated value | 4 kW |
| operating power for approx. 200000 operating cycles at AC-4 | |
| ● at 400 V rated value | 1.15 kW |
| ● at 690 V rated value | 1.15 kW |
| operating apparent power at AC-6a | |
| ● up to 230 V for current peak value n=20 rated value | 1.5 kVA |
| ● up to 400 V for current peak value n=20 rated value | 2.7 kVA |
| ● up to 500 V for current peak value n=20 rated value | 3.3 kVA |
| ● up to 690 V for current peak value n=20 rated value | 4.3 kVA |
| operating apparent power at AC-6a | |
| ● up to 230 V for current peak value n=30 rated value | 1 kVA |
| ● up to 400 V for current peak value n=30 rated value | 1.8 kVA |
| ● up to 500 V for current peak value n=30 rated value | 2.2 kVA |
| ● up to 690 V for current peak value n=30 rated value | 2.9 kVA |
| short-time withstand current in cold operating state up to 40 °C | |
| ● limited to 1 s switching at zero current maximum | 120 A; Use minimum cross-section acc. to AC-1 rated value |
| ● limited to 5 s switching at zero current maximum | 86 A; Use minimum cross-section acc. to AC-1 rated value |
| ● limited to 10 s switching at zero current maximum | 67 A; Use minimum cross-section acc. to AC-1 rated value |
| ● limited to 30 s switching at zero current maximum | 52 A; Use minimum cross-section acc. to AC-1 rated value |
| ● limited to 60 s switching at zero current maximum | 43 A; Use minimum cross-section acc. to AC-1 rated value |
| no-load switching frequency | |
| ● at AC | 10 000 1/h |
| operating frequency | |
| ● at AC-1 maximum | 1 000 1/h |
| ● at AC-2 maximum | 750 1/h |
| ● at AC-3 maximum | 750 1/h |
| ● at AC-3e maximum | 750 1/h |
| ● at AC-4 maximum | 250 1/h |
| Control circuit/ Control | |
| type of voltage of the control supply voltage | AC |

| | |
|---|---|
| control supply voltage at AC | |
| • at 60 Hz rated value | 277 V |
| operating range factor control supply voltage rated value of magnet coil at AC | |
| • at 60 Hz | 0.85 ... 1.1 |
| apparent pick-up power of magnet coil at AC | |
| • at 60 Hz | 31.7 VA |
| inductive power factor with closing power of the coil | |
| • at 60 Hz | 0.81 |
| apparent holding power of magnet coil at AC | |
| • at 60 Hz | 4.8 VA |
| inductive power factor with the holding power of the coil | |
| • at 60 Hz | 0.25 |
| closing delay | |
| • at AC | 9 ... 35 ms |
| opening delay | |
| • at AC | 7 ... 13 ms |
| arcing time | 10 ... 15 ms |
| control version of the switch operating mechanism | Standard A1 - A2 |
| Auxiliary circuit | |
| number of NO contacts for auxiliary contacts instantaneous contact | 1 |
| operational current at AC-12 maximum | 10 A |
| operational current at AC-15 | |
| • at 230 V rated value | 10 A |
| • at 400 V rated value | 3 A |
| • at 500 V rated value | 2 A |
| • at 690 V rated value | 1 A |
| operational current at DC-12 | |
| • at 24 V rated value | 10 A |
| • at 48 V rated value | 6 A |
| • at 60 V rated value | 6 A |
| • at 110 V rated value | 3 A |
| • at 125 V rated value | 2 A |
| • at 220 V rated value | 1 A |
| • at 600 V rated value | 0.15 A |
| operational current at DC-13 | |
| • at 24 V rated value | 10 A |
| • at 48 V rated value | 2 A |
| • at 60 V rated value | 2 A |
| • at 110 V rated value | 1 A |
| • at 125 V rated value | 0.9 A |
| • at 220 V rated value | 0.3 A |
| • at 600 V rated value | 0.1 A |
| contact reliability of auxiliary contacts | 1 faulty switching per 100 million (17 V, 1 mA) |
| UL/CSA ratings | |
| full-load current (FLA) for 3-phase AC motor | |
| • at 480 V rated value | 4.8 A |
| • at 600 V rated value | 6.1 A |
| yielded mechanical performance [hp] | |
| • for single-phase AC motor | |
| — at 110/120 V rated value | 0.25 hp |
| — at 230 V rated value | 0.75 hp |
| • for 3-phase AC motor | |
| — at 200/208 V rated value | 1.5 hp |
| — at 220/230 V rated value | 2 hp |
| — at 460/480 V rated value | 3 hp |
| — at 575/600 V rated value | 5 hp |
| contact rating of auxiliary contacts according to UL | A600 / Q600 |

| Short-circuit protection | |
|---|--|
| design of the fuse link <ul style="list-style-type: none"> ● for short-circuit protection of the main circuit <ul style="list-style-type: none"> — with type of coordination 1 required — with type of assignment 2 required ● for short-circuit protection of the auxiliary switch required | gG: 35A (690V,100kA), aM: 20A (690V,100kA), BS88: 35A (415V,80kA) gG: 20A (690V,100kA), aM: 16A (690V, 100kA), BS88: 20A (415V, 80kA) gG: 10 A (500 V, 1 kA) |
| Installation/ mounting/ dimensions | |
| mounting position | +/-180° rotation possible on vertical mounting surface; can be tilted forward and backward by +/- 22.5° on vertical mounting surface |
| fastening method | screw and snap-on mounting onto 35 mm standard mounting rail according to DIN EN 60715 |
| <ul style="list-style-type: none"> ● side-by-side mounting | Yes |
| height | 58 mm |
| width | 45 mm |
| depth | 73 mm |
| required spacing | |
| <ul style="list-style-type: none"> ● with side-by-side mounting <ul style="list-style-type: none"> — forwards — upwards — downwards — at the side ● for grounded parts <ul style="list-style-type: none"> — forwards — upwards — at the side — downwards ● for live parts <ul style="list-style-type: none"> — forwards — upwards — downwards — at the side | 10 mm 10 mm 10 mm 0 mm 10 mm 10 mm 6 mm 10 mm 10 mm 10 mm 10 mm 6 mm |
| Connections/ Terminals | |
| type of electrical connection | |
| <ul style="list-style-type: none"> ● for main current circuit ● for auxiliary and control circuit ● at contactor for auxiliary contacts ● of magnet coil | screw-type terminals screw-type terminals Screw-type terminals Screw-type terminals |
| type of connectable conductor cross-sections | |
| <ul style="list-style-type: none"> ● for main contacts <ul style="list-style-type: none"> — solid — solid or stranded — finely stranded with core end processing ● at AWG cables for main contacts | 2x (0.5 ... 1.5 mm ²), 2x (0.75 ... 2.5 mm ²), 2x 4 mm ² 2x (0,5 ... 1,5 mm ²), 2x (0,75 ... 2,5 mm ²), 2x 4 mm ² 2x (0.5 ... 1.5 mm ²), 2x (0.75 ... 2.5 mm ²) 2x (20 ... 16), 2x (18 ... 14), 2x 12 |
| connectable conductor cross-section for main contacts | |
| <ul style="list-style-type: none"> ● solid ● stranded ● finely stranded with core end processing | 0.5 ... 4 mm ² 0.5 ... 4 mm ² 0.5 ... 2.5 mm ² |
| connectable conductor cross-section for auxiliary contacts | |
| <ul style="list-style-type: none"> ● solid or stranded ● finely stranded with core end processing | 0.5 ... 4 mm ² 0.5 ... 2.5 mm ² |
| type of connectable conductor cross-sections | |
| <ul style="list-style-type: none"> ● for auxiliary contacts <ul style="list-style-type: none"> — solid or stranded — finely stranded with core end processing ● at AWG cables for auxiliary contacts | 2x (0.5 ... 1.5 mm ²), 2x (0.75 ... 2.5 mm ²), 2x 4 mm ² 2x (0.5 ... 1.5 mm ²), 2x (0.75 ... 2.5 mm ²) 2x (20 ... 16), 2x (18 ... 14), 2x 12 |
| AWG number as coded connectable conductor cross section | |

- for main contacts 20 ... 12
- for auxiliary contacts 20 ... 12

Safety related data

| | |
|---|--|
| product function | |
| <ul style="list-style-type: none"> • mirror contact according to IEC 60947-4-1 | Yes; with 3RH29 |
| B10 value with high demand rate according to SN 31920 | 1 000 000 |
| proportion of dangerous failures | |
| <ul style="list-style-type: none"> • with low demand rate according to SN 31920 | 40 % |
| <ul style="list-style-type: none"> • with high demand rate according to SN 31920 | 73 % |
| failure rate [FIT] with low demand rate according to SN 31920 | 100 FIT |
| T1 value for proof test interval or service life according to IEC 61508 | 20 y |
| protection class IP on the front according to IEC 60529 | IP20 |
| touch protection on the front according to IEC 60529 | finger-safe, for vertical contact from the front |
| suitability for use | |
| <ul style="list-style-type: none"> • safety-related switching OFF | Yes |

Certificates/ approvals

General Product Approval



[Confirmation](#)



[KC](#)



| | | | |
|-----|---------------------------------------|---------------------------|-------------------|
| EMC | Functional Safety/Safety of Machinery | Declaration of Conformity | Test Certificates |
|-----|---------------------------------------|---------------------------|-------------------|



[Type Examination Certificate](#)



[Special Test Certificate](#)

[Type Test Certificates/Test Report](#)

Marine / Shipping



Marine / Shipping other



[Confirmation](#)



Further information

Information- and Downloadcenter (Catalogs, Brochures,...)

<https://www.siemens.com/ic10>

Industry Mall (Online ordering system)

<https://mall.industry.siemens.com/mall/en/en/Catalog/product?mfb=3RT2015-1AU61>

Cax online generator

<http://support.automation.siemens.com/WW/CAXorder/default.aspx?lang=en&mfb=3RT2015-1AU61>

Service&Support (Manuals, Certificates, Characteristics, FAQs,...)

<https://support.industry.siemens.com/cs/ww/en/ps/3RT2015-1AU61>

Image database (product images, 2D dimension drawings, 3D models, device circuit diagrams, EPLAN macros, ...)

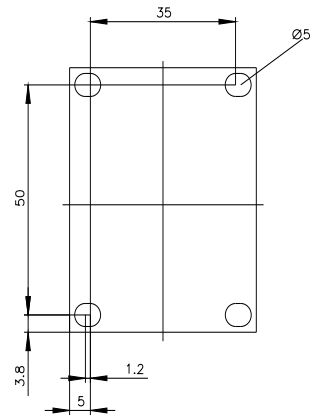
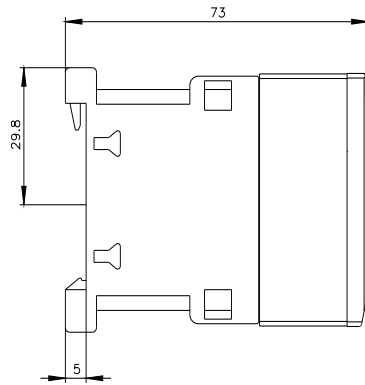
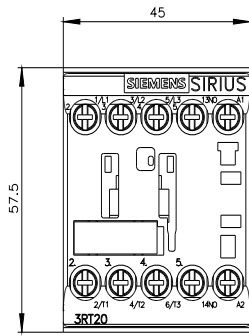
http://www.automation.siemens.com/bilddb/cax_de.aspx?mlfb=3RT2015-1AU61&lang=en

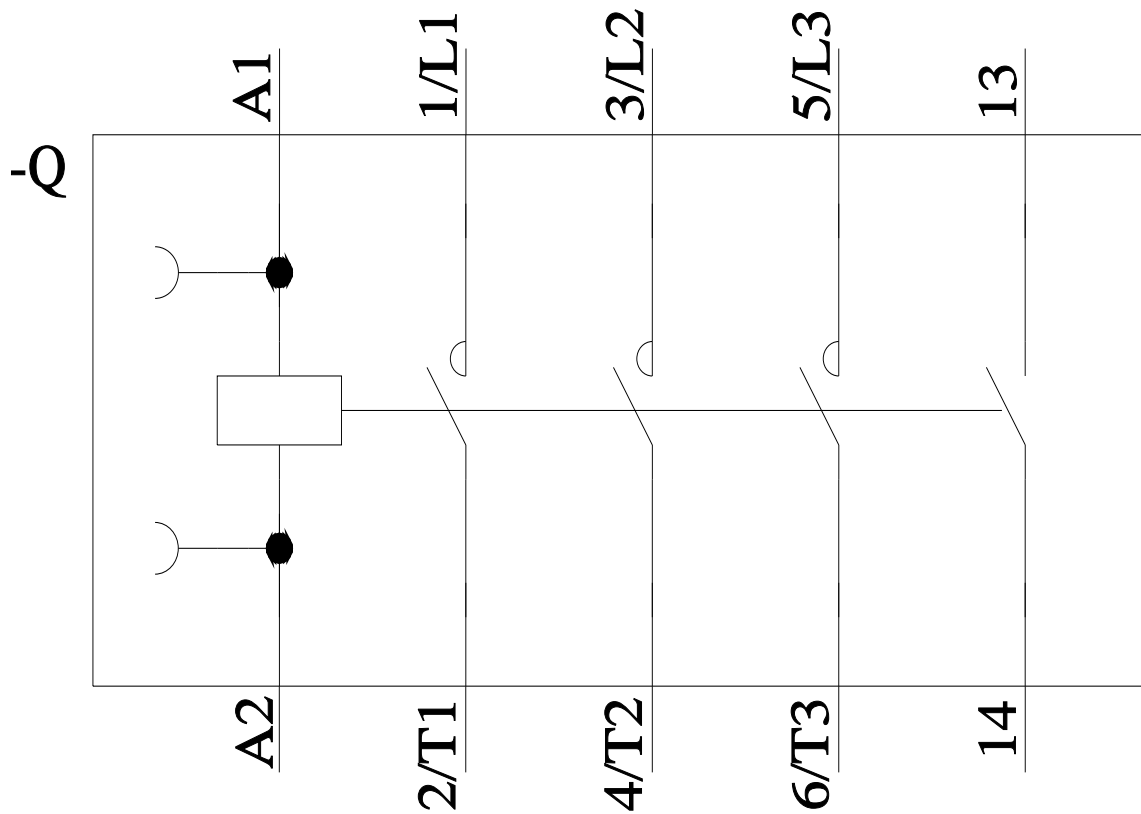
Characteristic: Tripping characteristics, I^t, Let-through current

<https://support.industry.siemens.com/cs/ww/en/ps/3RT2015-1AU61/char>

Further characteristics (e.g. electrical endurance, switching frequency)

<http://www.automation.siemens.com/bilddb/index.aspx?view=Search&mlfb=3RT2015-1AU61&objecttype=14&gridview=view1>





last modified:

6/2/2022 