



Copyright FCI.

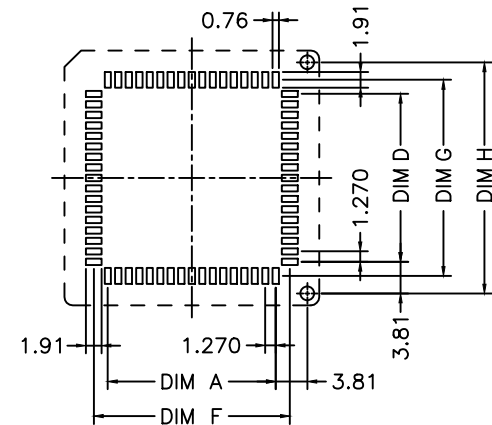
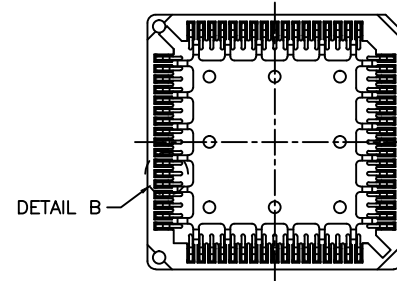
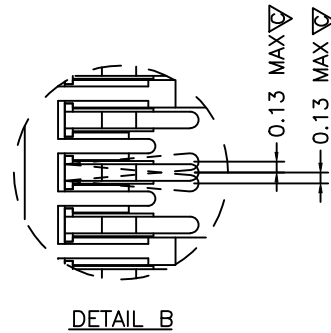
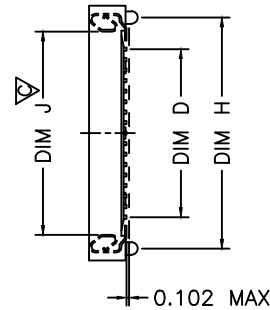
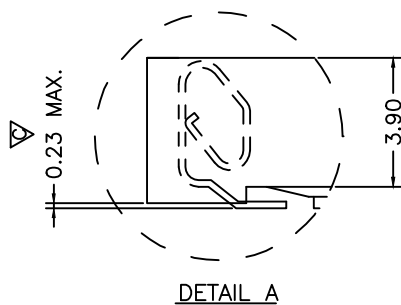
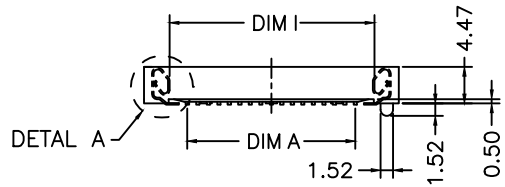
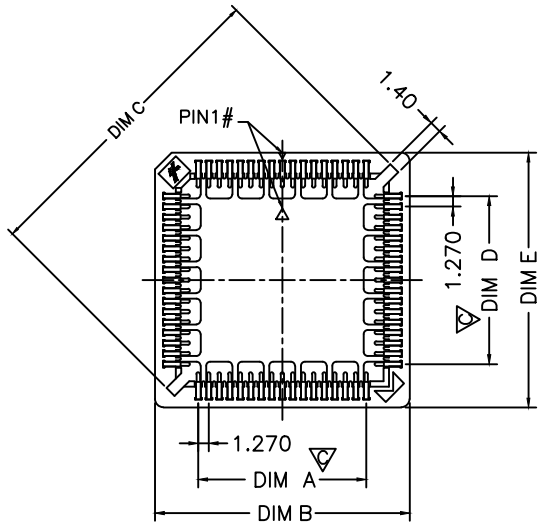


FIG. 1

NOTE: DIMENSIONAL MARK  $\nabla$  TO BE CHECKED BY OQC.

rev	ecn no	dr	date
AG	ELX-1-20939	SAL	5/21/15
-	-	-	-
AB	T05-0017	JH	1/24/05
AC	T05-0114	JH	5/9/05
AD	T05-0212	JH	9/21/05
AE	T06-0070	JH	5/8/06
AF	T11-0002	JH	1/11/11

www.fciconnect.com		surface <input checked="" type="checkbox"/>	tolerance std	projection	MM
TOLERANCES UNLESS OTHERWISE SPECIFIED					
Dr	Jason Hsu	1/11/11	ANGULAR	size	A4
Eng	Jason Hsu	1/11/11	LINEAR	Scale	N/A
Chr	S Alosius	5/21/15	0° ±5°	ECN	ELX-1-20939
Appr	Biju K Paul	5/21/15	Product family	Spec ref	
title		PLCC SMT Socket		dwg no	69802
catalog no		CUSTOMER		Rev.	AG
				sheet 1 of 5	

1

2

3

4

A

A

TABLE I

NO. OF CONTACTS	DIM. A ±0.20	DIM. B ±0.20	DIM. C ±0.20	DIM. D ±0.20	DIM. E MAX.	DIM. F ±0.10	DIM. G ±0.10	DIM. H ±0.20	DIM. I ±0.20	DIM. J ±0.20
32	7.62	17.78	22.50	10.16	20.32	11.02	13.56	17.78	11.94	14.48
44	12.70	22.86	27.50	12.70	22.86	16.10	16.10	20.32	17.02	

B

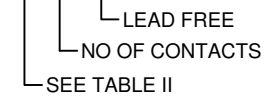
B

TABLE II

PART NO.	WITH POLARIZING PEGS	PACKAGING BY PVC TUBE	PACKAGING BY TAPE & REEL	MCK PART NO.
69802-0XXLF	✓	✓		PLCC-XXP-T-SMT-P-LF
69802-1XXLF		✓		PLCC-XXP-T-SMT-LF
69802-4XXLF			✓	PLCC-XXP-T-SMT-TR-LF

NOTE:

ORDERING DATA: 69802 - X XX LF



C

C

Copyright FCI.

D

D

www.fciconnect.com		surface - ✓	tolerance std	projection	MM
		TOLERANCES UNLESS OTHERWISE SPECIFIED			
Dr	Jason Hsu	1/11/11	ANGULAR	0.X	± 0.25
Eng	Jason Hsu	1/11/11	LINEAR	0.XX	± 0.15
Chr	S Alosius	5/21/15	0° ±5°	0.XXX	± 0.10
Appr	BiJu K Paul	5/21/15	Product family	ECN	ELX-1-20939
title		PLCC SMT Socket		dwg no	69802
catalog no		-		CUSTOMER	sheet 2 of 5
				Rev.	AG

REV F - 2005-04-12

1

2

3

4

NOTES:

1. MATERIAL:

1-1 HOUSING : PPS GB8411,UL94V-0 COLOR IN BROWN.  
 PLATING : 150u" LEAD FREE TIN MIN. OVER 40u" NICKEL MIN.  
 CONTACT : PHOSPHOR BRONZE C5212RH.

2. THE "FCI" LOGO IS LOCATED AS SHOWN.

3. RECOMMEND PCB LAYOUT IS SHOWN IN FIG.1.

4. COPLANARITY REQUIREMENT;

A. CONTACT MUST BE BELOW HOUSING BOTTOM SURFACE WITHIN 0.23MM.  
 B. CONTACT SEATING LINE MUST BE WITHIN 0.102MM.

5. THE POSITION OF PIN#1 IN THE CENTER PAD IS AS SHOWN.

6. THE PACKAGING INFORMATION SHOWS ON SHEET 4 &5.

7. PRODUCT SPECIFICATION; GES-12-158.

8. MANUFACTURING PROCESS COMPATIBILITY: THE HOUSING WILL WITHSTAND EXPOSURE TO 245°C PEAK TEMPERATURE FOR 5 SECOND IN A IR REFLOW APPLICATION.



Copyright FCI.

www.fciconnect.com		surface - ✓	tolerance std	projection	MM
		TOLERANCES UNLESS OTHERWISE SPECIFIED			
Dr	Jason Hsu	1/11/11	ANGULAR	0.X	± 0.25
Eng	Jason Hsu	1/11/11	LINEAR	0.XX	± 0.15
Chr	S Alosius	5/21/15	0° ±5°	0.XXX	± 0.10
Appr	Biju K Paul	5/21/15	Product family	size	A4
				ECN	ELX-1-20939
				Spec ref	
	title		PLCC SMT Socket		Rev. AG
catalog no		-		dwg no	69802
				CUSTOMER	sheet 3 of 5

1

2

3

4

A

A

B

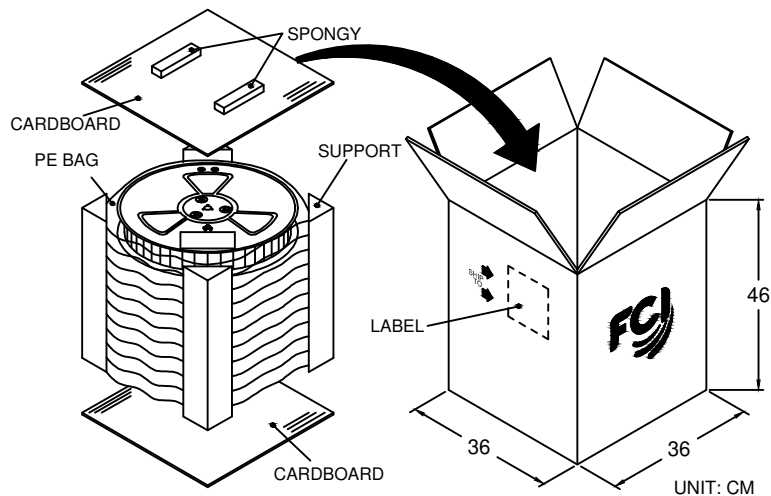
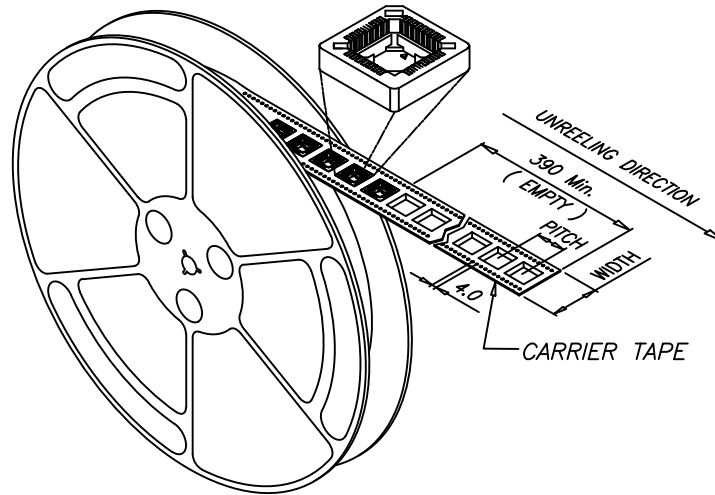
B

C

C

D

D



PACKING FOR 32P & 44P

TABLE III

NO. OF PIN.	WIDTH	PITCH	PCS/REEL	REEL/CARTON	TOTAL (PCS)
32P	32.0	24.00	390	10	3900
44P	44.0	32.00	250	8	2000

\*REEL DIAMETER:  $\varnothing$ 13 in"



Copyright FCI.

www.fciconnect.com		surface <input checked="" type="checkbox"/>	tolerance std	projection	MM
		TOLERANCES UNLESS OTHERWISE SPECIFIED		$\oplus$ $\ominus$	$\longleftrightarrow$
Dr	Jason Hsu	1/11/11	ANGULAR	0.X	$\pm$ 0.25
Eng	Jason Hsu	1/11/11	LINEAR	0.XX	$\pm$ 0.15
Chr	S Alosius	5/21/15	0° $\pm$ 5°	0.XXX	$\pm$ 0.10
Appr	BiJu K Paul	5/21/15	Product family	ECN	ELX-1-20939
title		PLCC SMT Socket		dwg no	69802
catalog no		-		CUSTOMER	sheet 4 of 5

1

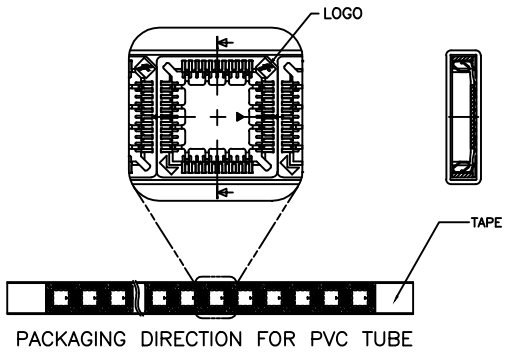
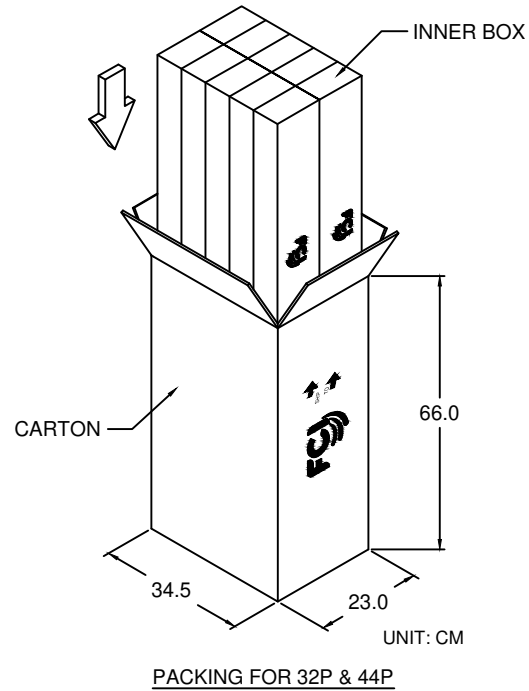
2

3

4

TABLE IV

A / P PART NO.	69802-X32X	69802-X44X
DESCRIPTION	32P	44P
PCS / TUBE	28	25
PCS / INNER BOX	728	500
INNER BOX / CARTON ( WITH SOCKET )	10	10
INNER BOX / CARTON ( W / O SOCKET )	0	0
TOTAL (PCS)	7280	5000
N.W.	10.0 KG	8.5 KG
G.W.	18.0 KG	17.0 KG



Copyright FCI.

www.fciconnect.com		surface - <input checked="" type="checkbox"/>	tolerance std	projection	MM
TOLERANCES UNLESS OTHERWISE SPECIFIED					
Dr	Jason Hsu	1/11/11	ANGULAR	0.X	± 0.25
Eng	Jason Hsu	1/11/11	LINEAR	0.XX	± 0.15
Chr	S Alosius	5/21/15	0° ±5°	0.XXX	± 0.10
Appr	Biju K Paul	5/21/15	Product family	ECN	ELX-1-20939
title PLCC SMT Socket				dwg no	69802
catalog no				-	CUSTOMER
				Rev.	AG
				sheet 5 of 5	