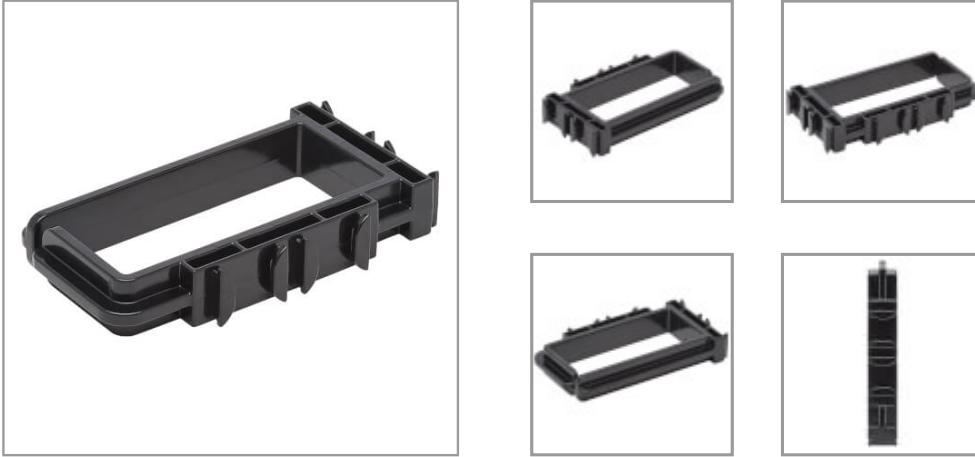


Cable Management Rings for Rack Enclosures - Button Mount, Small, 2 x 4 in., 12 Pack

MODEL NUMBER: SRCABLERINGSM



Cable rings install in your rack enclosure's toolless mounting holes to organize network cabling and help prevent tangling and clutter.

Features

Eliminates Cable Strain and Eases Clutter in Your Rack Enclosure or Open Frame Rack

This 12-pack of SmartRack® high-strength polycarbonate rings easily installs in your rack's toolless button mounts as a versatile cable management solution. Mount them at custom intervals to route your bundled network cables horizontally, vertically or around installed equipment. Each ring measures 2 x 4 inches and offers a semi-flexible slot for easy insertion of bundled cables. Organizing your cables within your rack cabinet or open frame rack eliminates stress, prevents tangling and cable clutter, and improves airflow through the rack to keep equipment cool.

Specifications

| OVERVIEW | |
|---------------------------------|------------------------------|
| UPC Code | 037332212993 |
| Accessory Type | Cable Management Accessories |
| PHYSICAL | |
| Color | Black |
| Shipping Dimensions (hwd / in.) | 3.74 x 6.26 x 7.56 |
| Shipping Dimensions (hwd / cm) | 9.50 x 15.90 x 19.20 |
| Shipping Weight (lbs.) | 1.28 |
| Shipping Weight (kg) | 0.58 |
| Unit Dimensions (hwd / in.) | 0.710 x 2.394 x 4.406 |
| Unit Dimensions (hwd / cm) | 1.80 x 6.0706 x 11.191 |

Highlights

- Set of 12 cable management rings fits into rack's standard toolless button mounts
- Organizes cables and eases strain within open frame rack or rack enclosure cabinet
- High-strength polycarbonate rings measure 2 x 4 in. for easy cable insertion

Applications

- Eliminate cable strain and organize your bundled network cables in your open frame rack or enclosure

Package Includes

- (12) Cable management rings, 2 x 4 in.

| | |
|--------------------------------------|-------------------------|
| Unit Weight (lbs.) | 0.068 |
| Unit Weight (kg) | 0.03 |
| FEATURES & SPECIFICATIONS | |
| IP68 Rated | No |
| IP20 Rated | No |
| STANDARDS & COMPLIANCE | |
| Product Compliance | RoHS; EIA/ECA-310-E |
| WARRANTY & SUPPORT | |
| Product Warranty Period (Worldwide) | 5-year limited warranty |