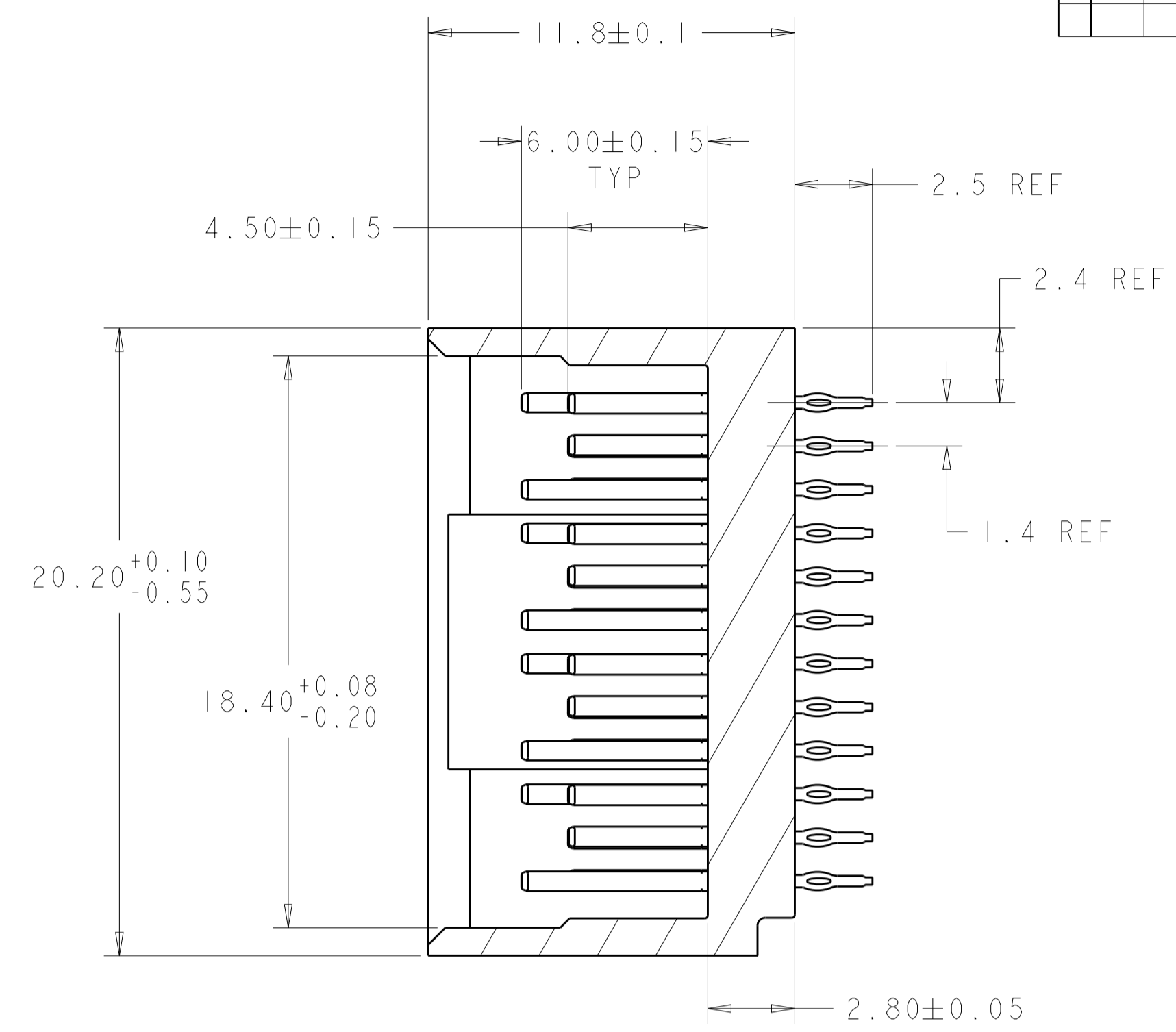
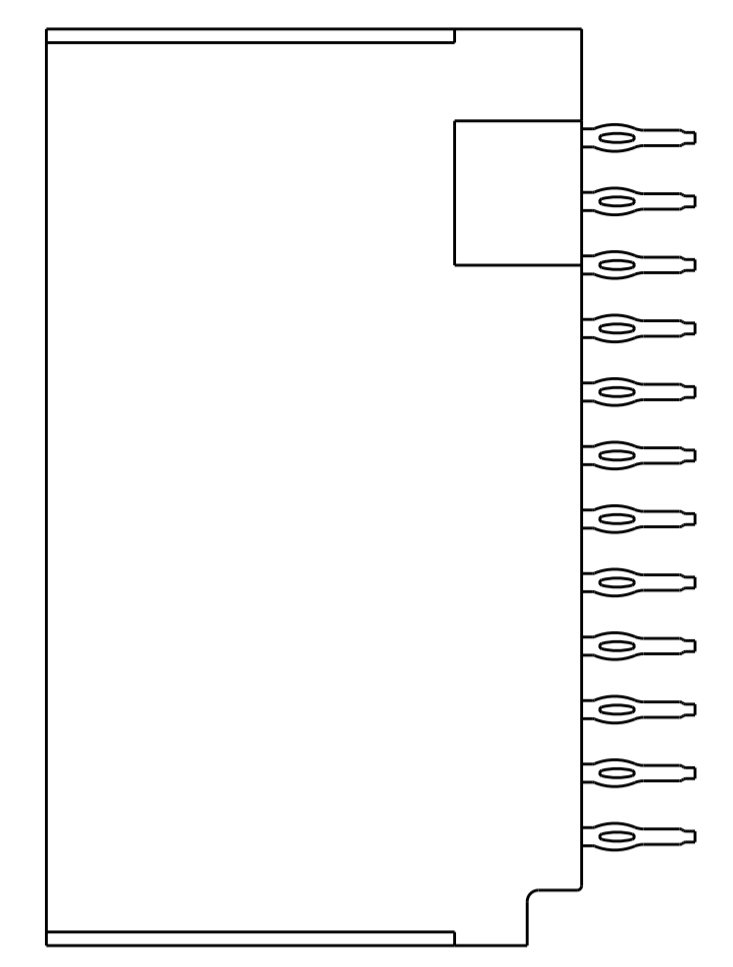
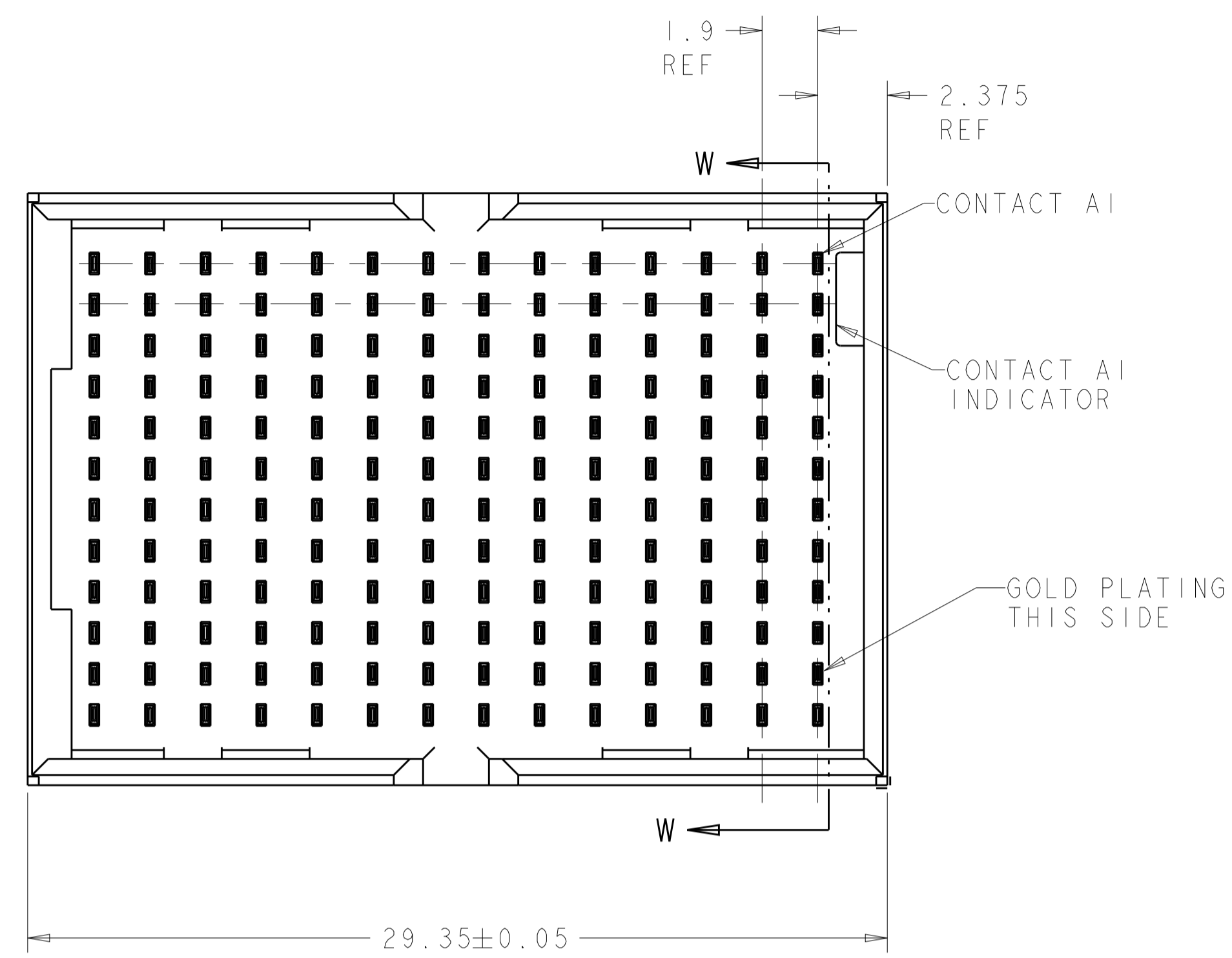
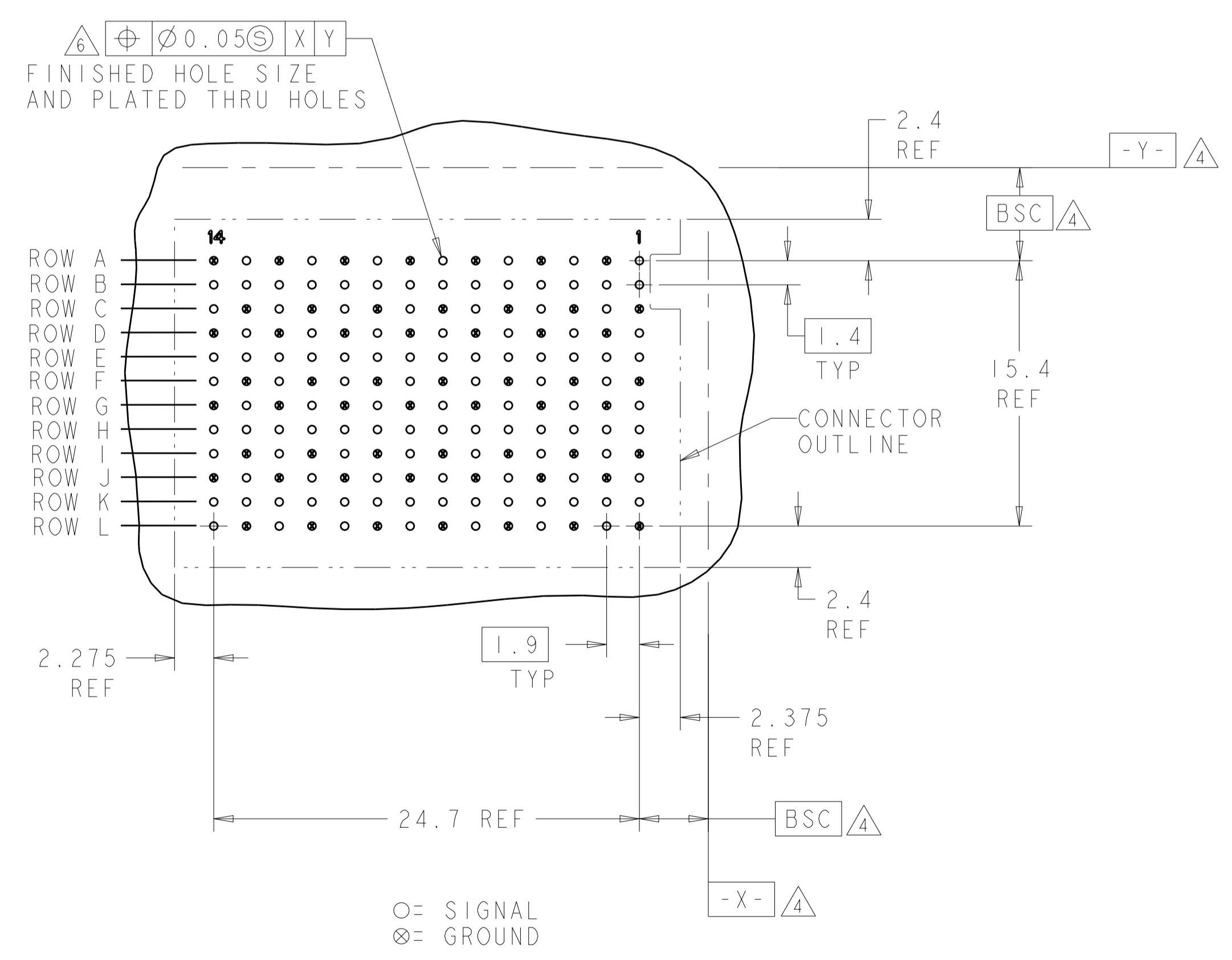
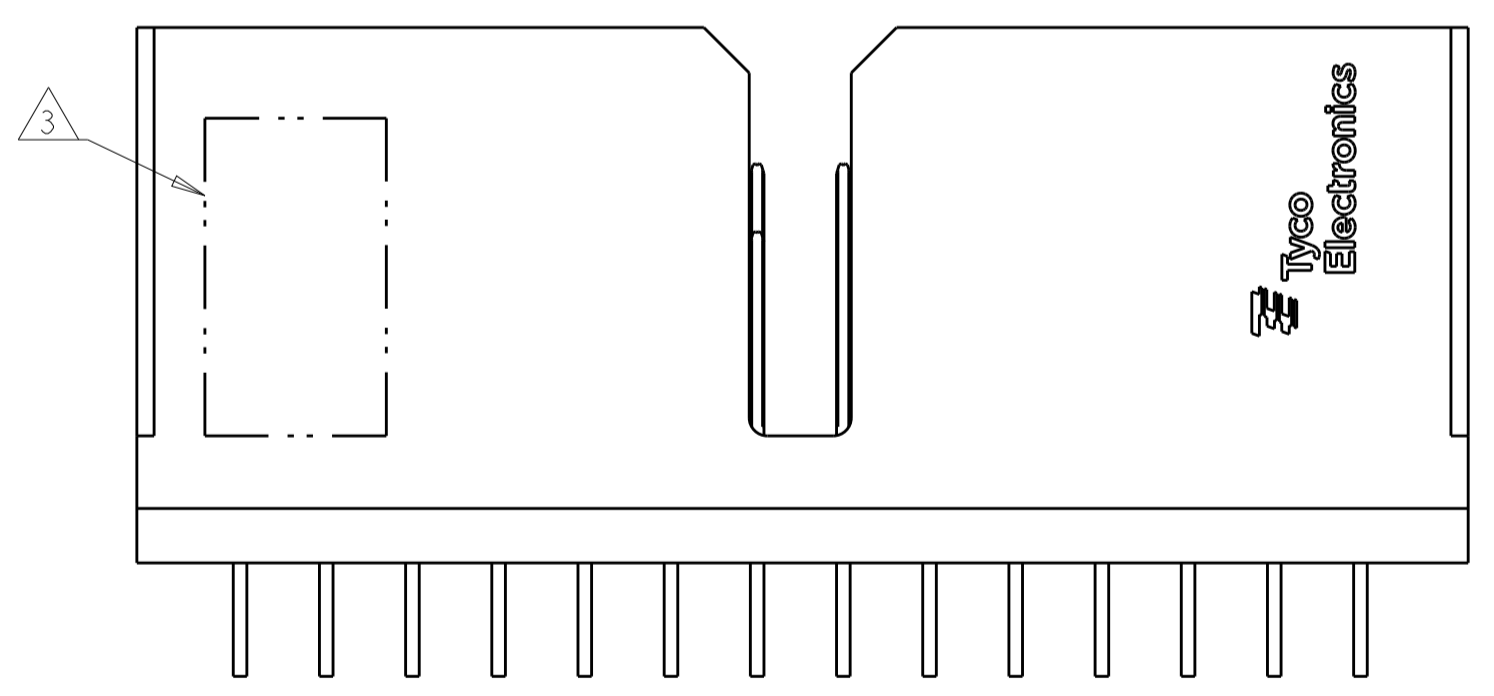


LOC	DIST	REVISIONS			
P	LTN	DESCRIPTION	DATE	DWN	APVD
E		REVISED PER ECO-13-010626	31JUL2013	KH	RP



SECTION W-W



RECOMMENDED PB BOARD LAYOUT BACKPLANE COMPONENT SIDE SHOWN SCALE 4:1

- 1 MATERIAL:  
 CONTACT - PHOS BRONZE  
 HOUSING - LCP, UL 94V-0, COLOR - BLACK
- 2 FINISH:  
 CONTACT AREA FINISH CONFORMS TO THE REQUIREMENTS OF TE PRODUCT SPECIFICATION 108-2303; BASED ON TELCORDIA GR-1217-CORE FOR SYSTEM QUALITY LEVEL III APPLICATIONS IN CONTROLLED ENVIRONMENTS (CENTRAL OFFICE).  
 COMPLIANT PIN AREA- 0.5µm MIN MATTE TIN OVER 1.27µm MIN NICKEL.
- 3 CONNECTOR MARKED WITH PART NUMBER, DATE CODE AND STANDARD IN APPROXIMATE AREA SHOWN
- 4 DATUMS AND BASIC DIMENSIONS ESTABLISHED BY CUSTOMER.
- 5. CONTACT AREA LUBRICATED WITH BELLCORE APPROVED LUBRICANT. TECHNICAL REFERENCE GR-1217-CORE, ISSUE 1, NOVEMBER 1995.
- 6 REFERENCE APPLICATION SPEC 114-13202 FOR RECOMMENDED PLATED THRU HOLE DIAMETER AND PLATING THICKNESSES.

1934290-1  
 PART NUMBER

THIS DRAWING IS A CONTROLLED DOCUMENT.		DWN B MCMASPER 18MAY07	TE Connectivity NAME HEADER ASSEMBLY, DOUBLE WALL, 4 PAIR 14 COLUMN TinMan
DIMENSIONS: mm		CHK W DAVIS 18MAY07	
TOLERANCES UNLESS OTHERWISE SPECIFIED:		APVD W DAVIS 18MAY07	PRODUCT SPEC
0 PLC ± 1 PLC ± 2 PLC ± 3 PLC ± 4 PLC ± ANGLES ±		APPLICATION SPEC	SIZE CAGE CODE DRAWING NO
MATERIAL		WEIGHT	A100779C=1934290
FINISH		CUSTOMER DRAWING	RESTRICTED TO
SCALE 6:1		SHEET 1 OF 1	REV E