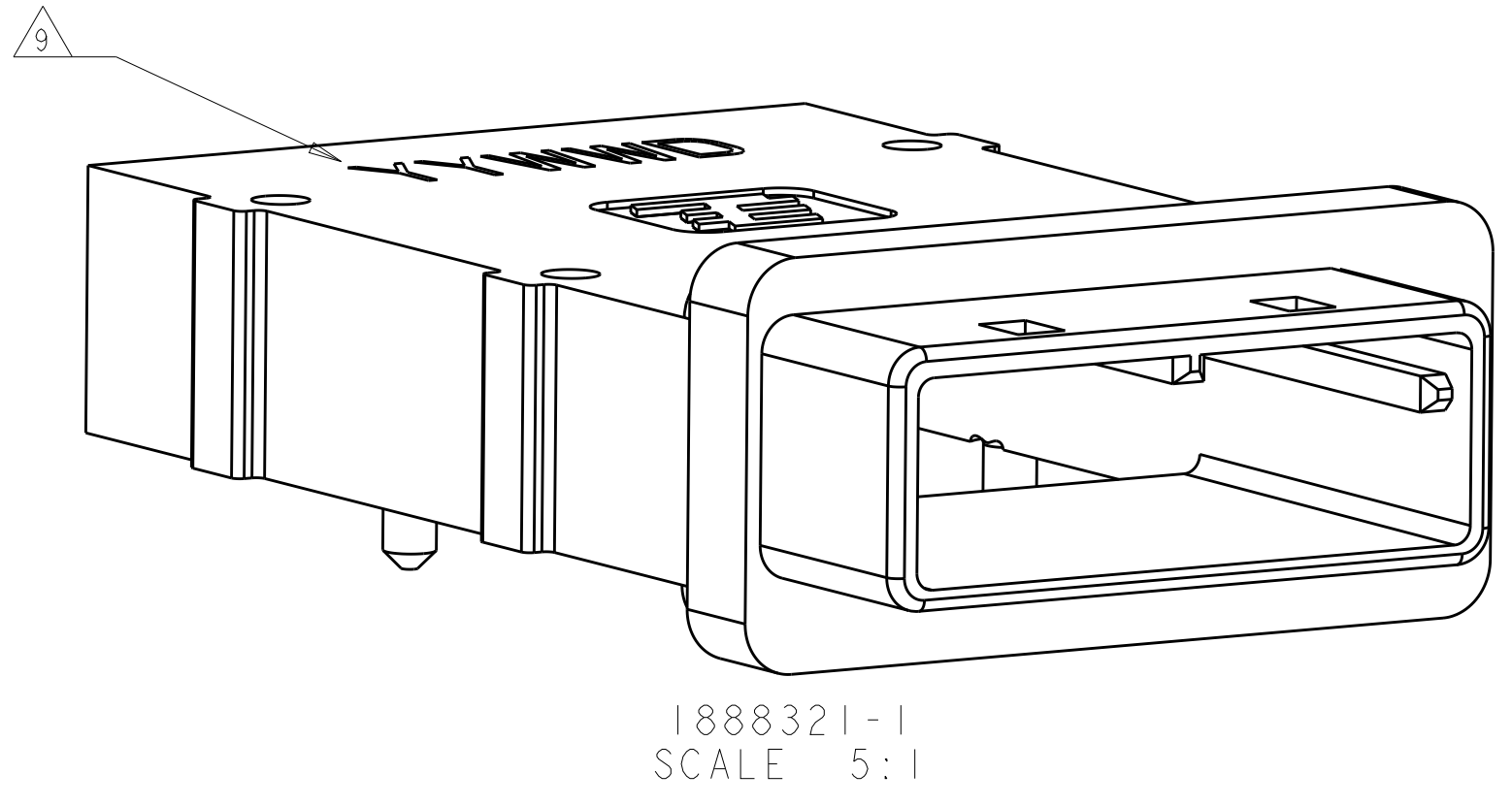
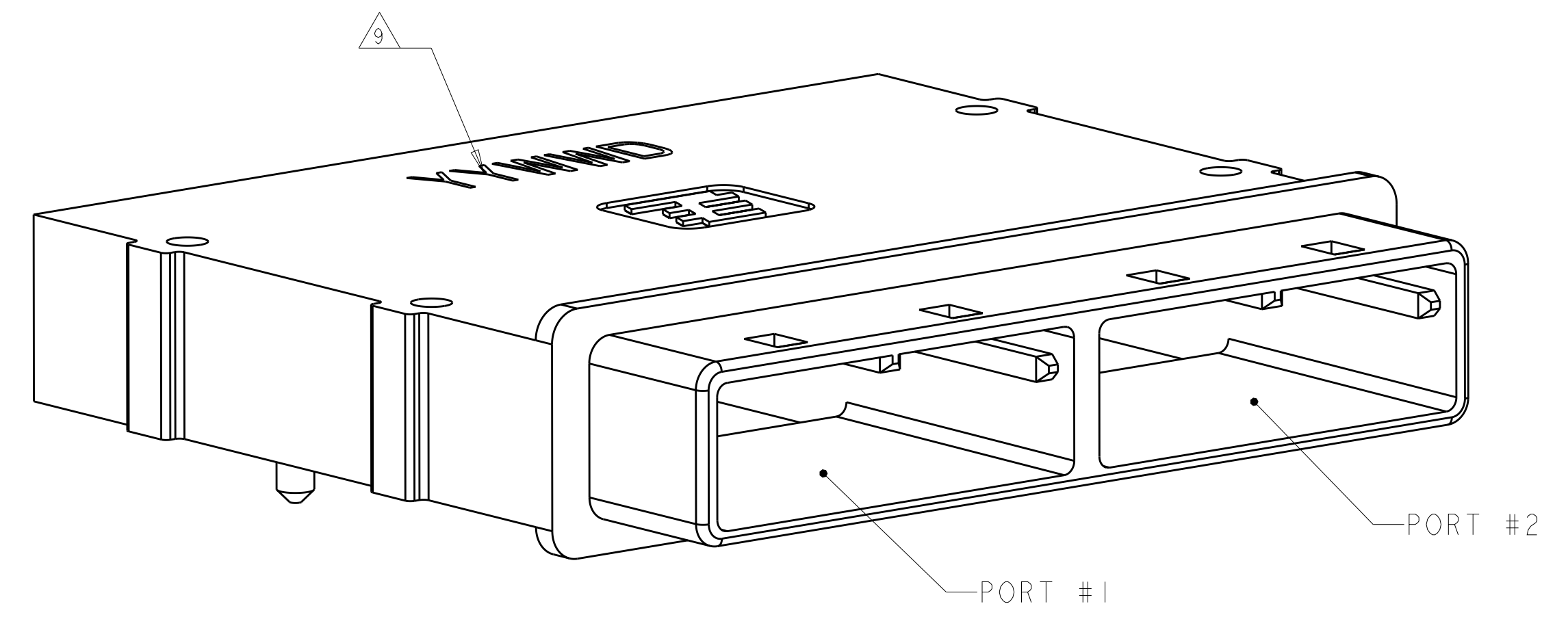


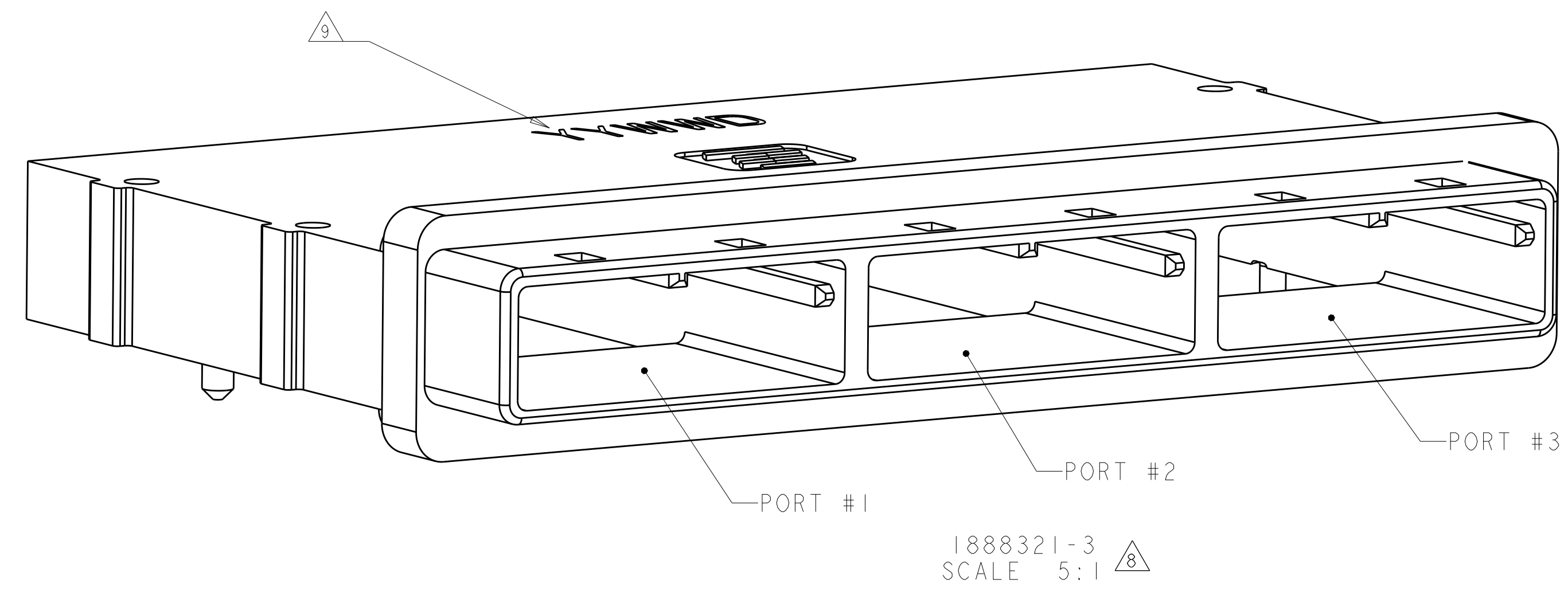
LOC	DIST	REVISIONS			
P	LTN	DESCRIPTION	DATE	DMN	APVD
GP	00				
A2		REVISED PER ECO-11-004835	11MAR2011	RK	HMR
B		REVISED PER ECO-12-014113	02AUG2012	JY	AC
C		REVISED PER ECO-12-019905	04DEC2012	CJV	DLG



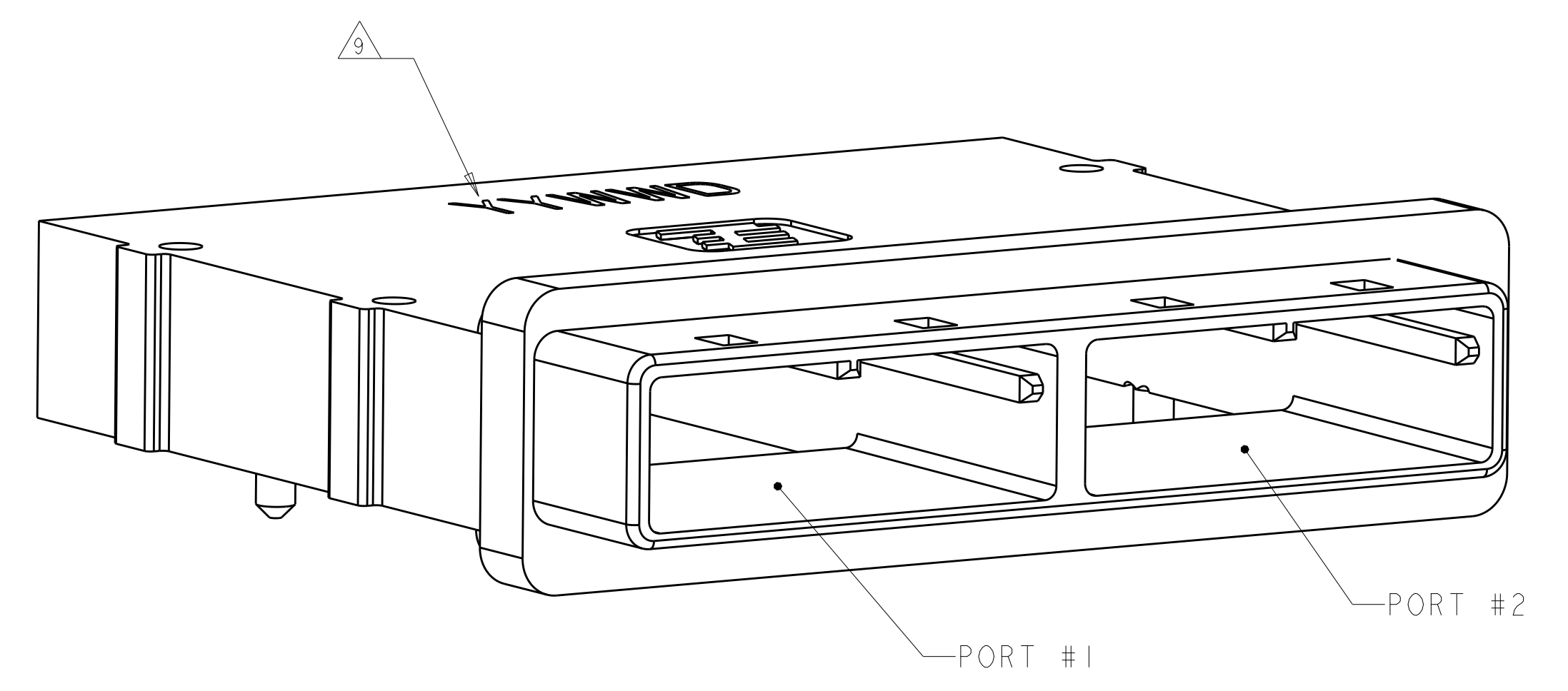
1888321-1
SCALE 5:1



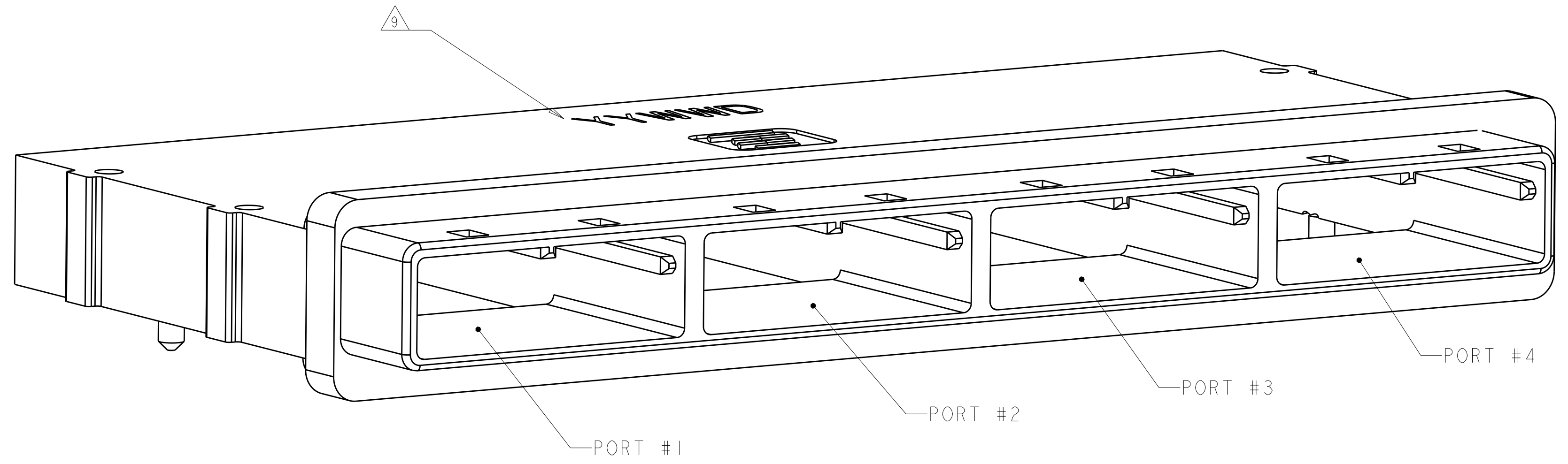
2-1888321-2
NO GASKET
SCALE 5:1



1888321-3
SCALE 5:1



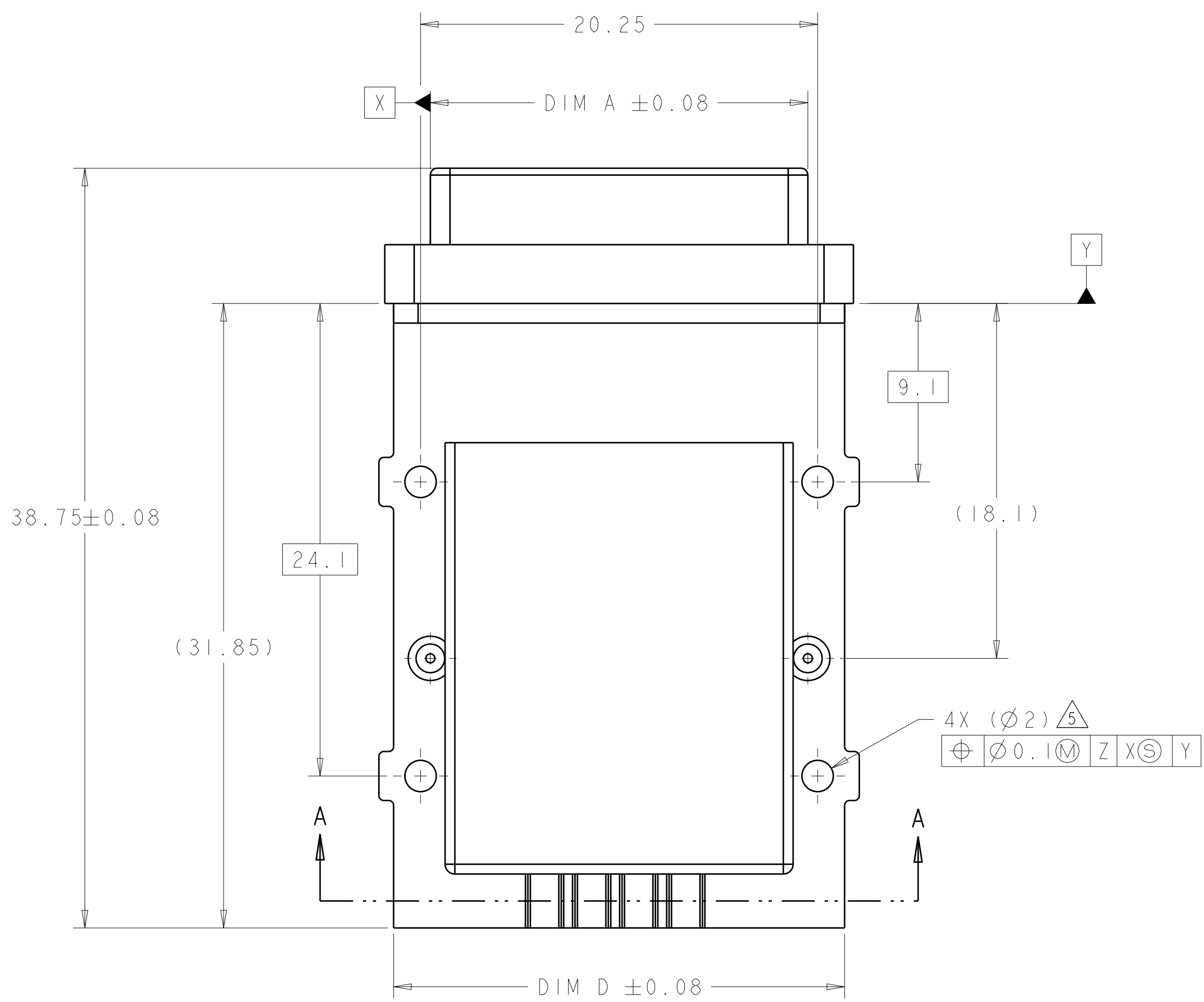
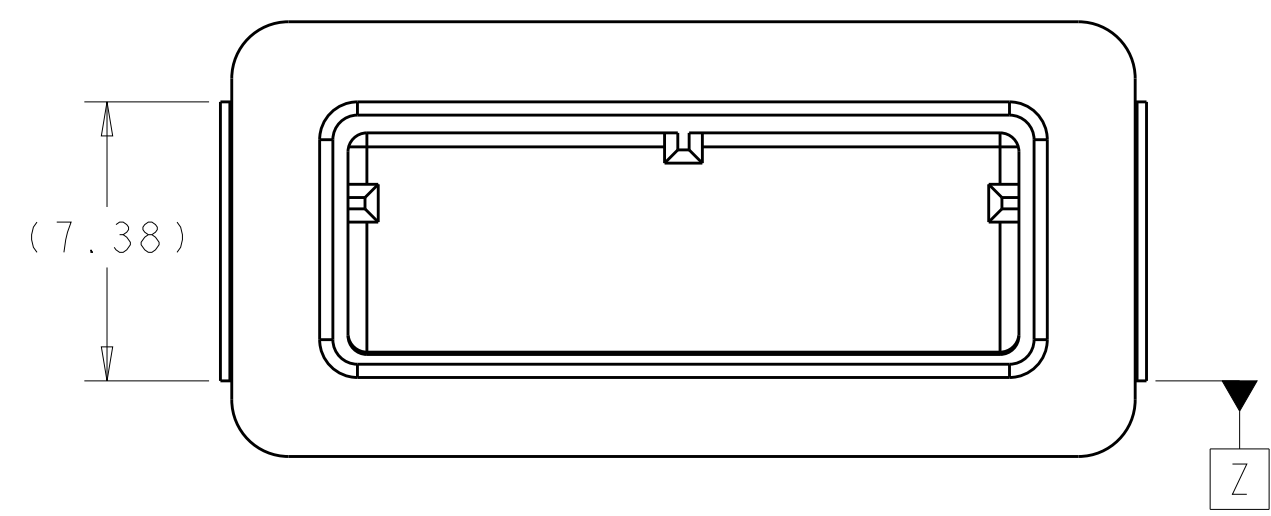
1888321-2
SCALE 5:1



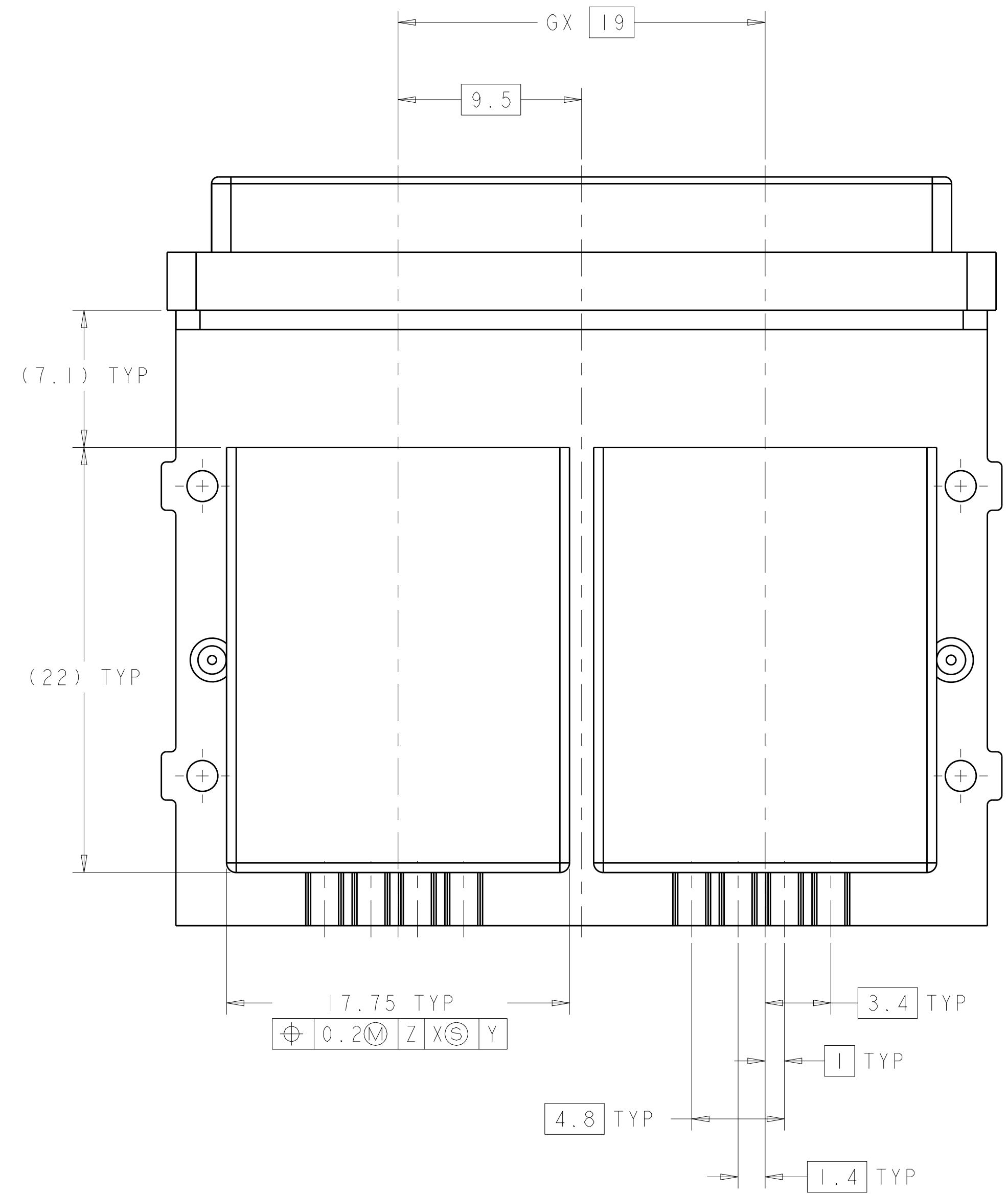
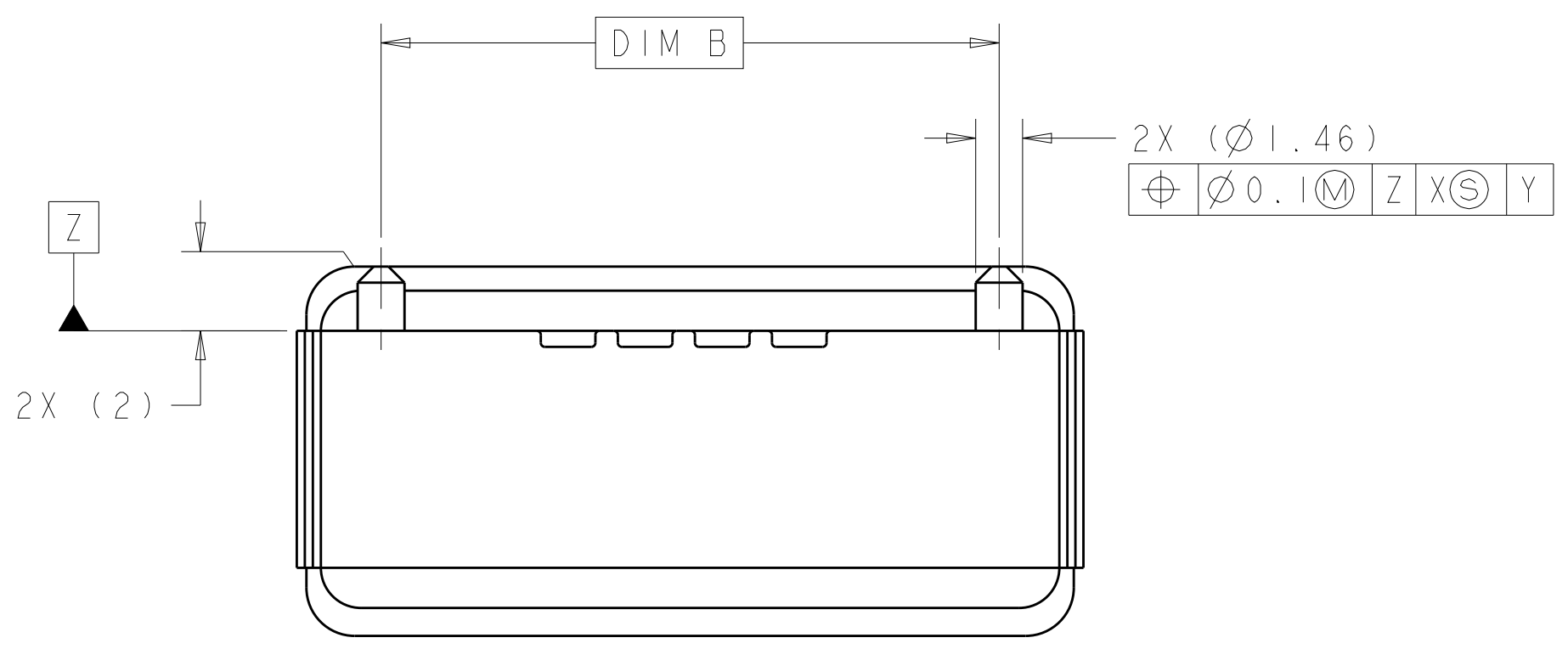
1888321-4
SCALE 5:1

THIS DRAWING IS A CONTROLLED DOCUMENT. DIMENSIONING AND TOLERANCING PER ASME Y14.5M-2009.		DMN J. POLIGNONE 01AUG07 CHK D. GORENC 01AUG07	TE Connectivity NAME EVERCLEAR Mini-SAS EXTERNAL RECEPTACLE SHELL ASSEMBLY
DIMENSIONS: mm		APVD D. GORENC 01AUG07	
TOLERANCES UNLESS OTHERWISE SPECIFIED: 0 PLC ± 1 PLC ± 2 PLC ± 3 PLC ± 4 PLC ± ANGLES ±		APPLICATION SPEC	SIZE CAGE CODE DRAWING NO. RESTRICTED TO
MATERIAL SEE NOTES		FINISH SEE NOTES	WEIGHT A100779C=1888321
		Customer Drawing	SCALE 5:1 SHEET 1 OF 4 REV C

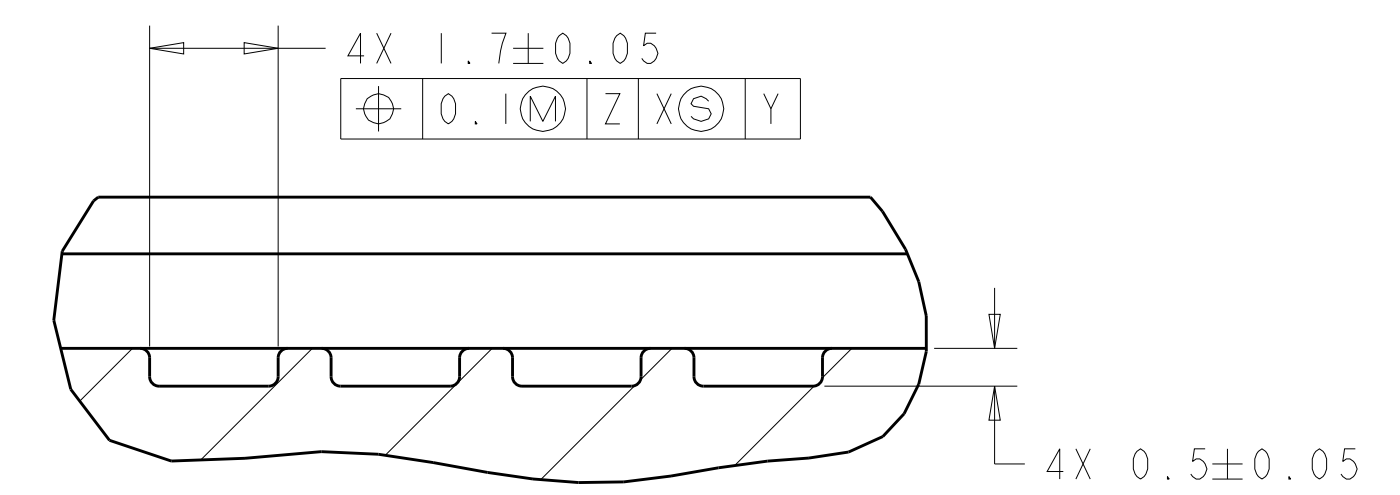
LOC	DIST	REVISIONS			
P	LTN	DESCRIPTION	DATE	DWN	APVD
-	-	SEE SHEET 1	-	-	-



RECOMMENDED SINGLE PORT LAYOUT
 SAME AS 1888321-1 EXCEPT AS SHOWN
 SCALE 5:1



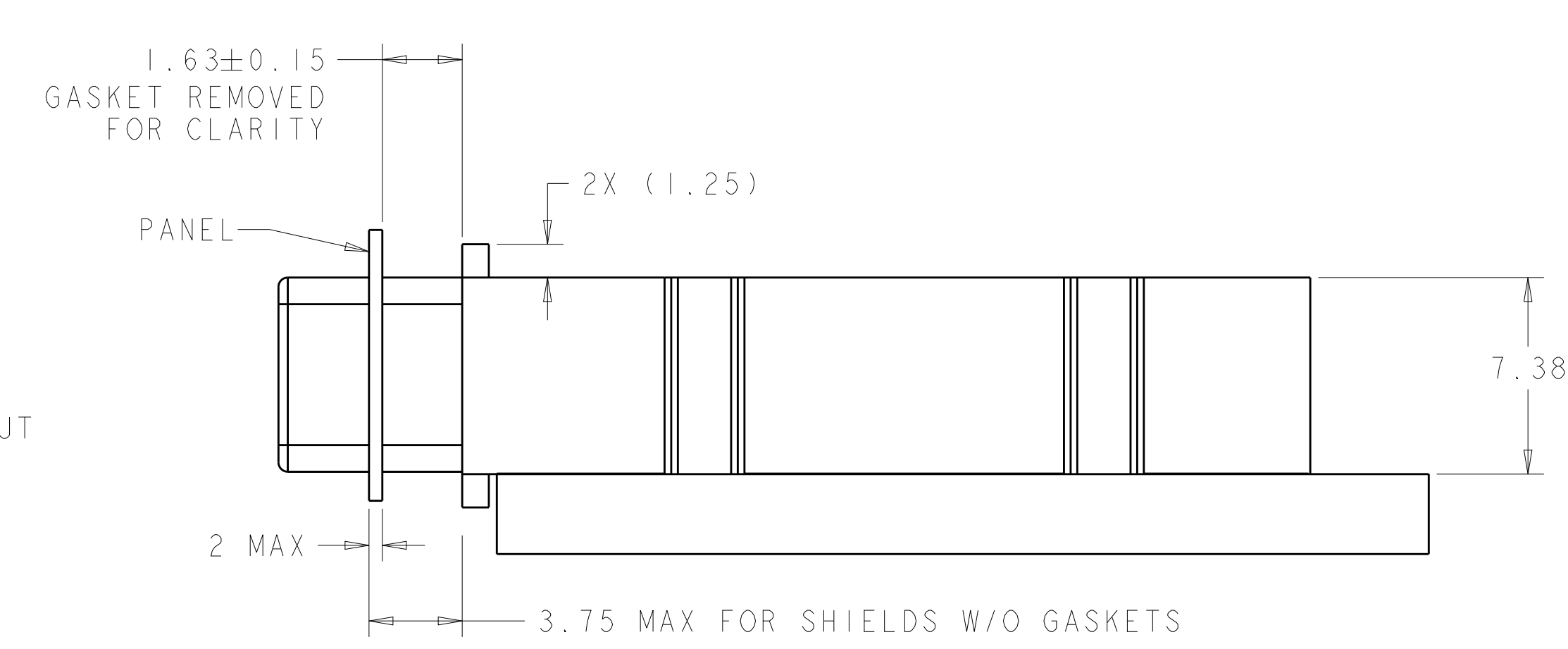
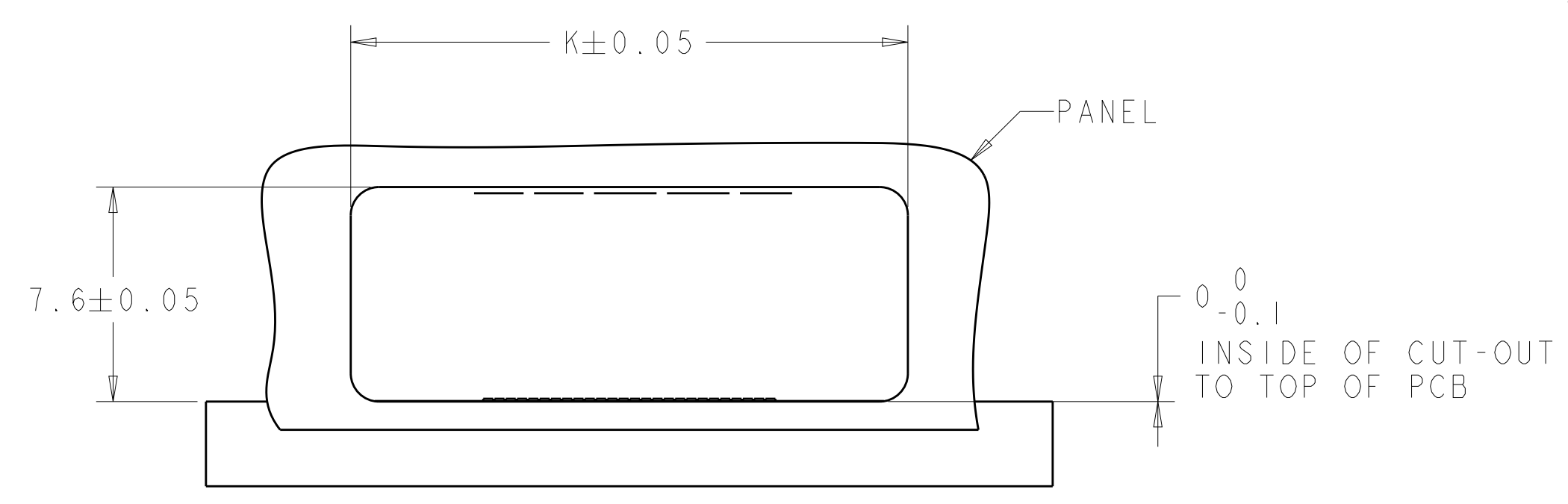
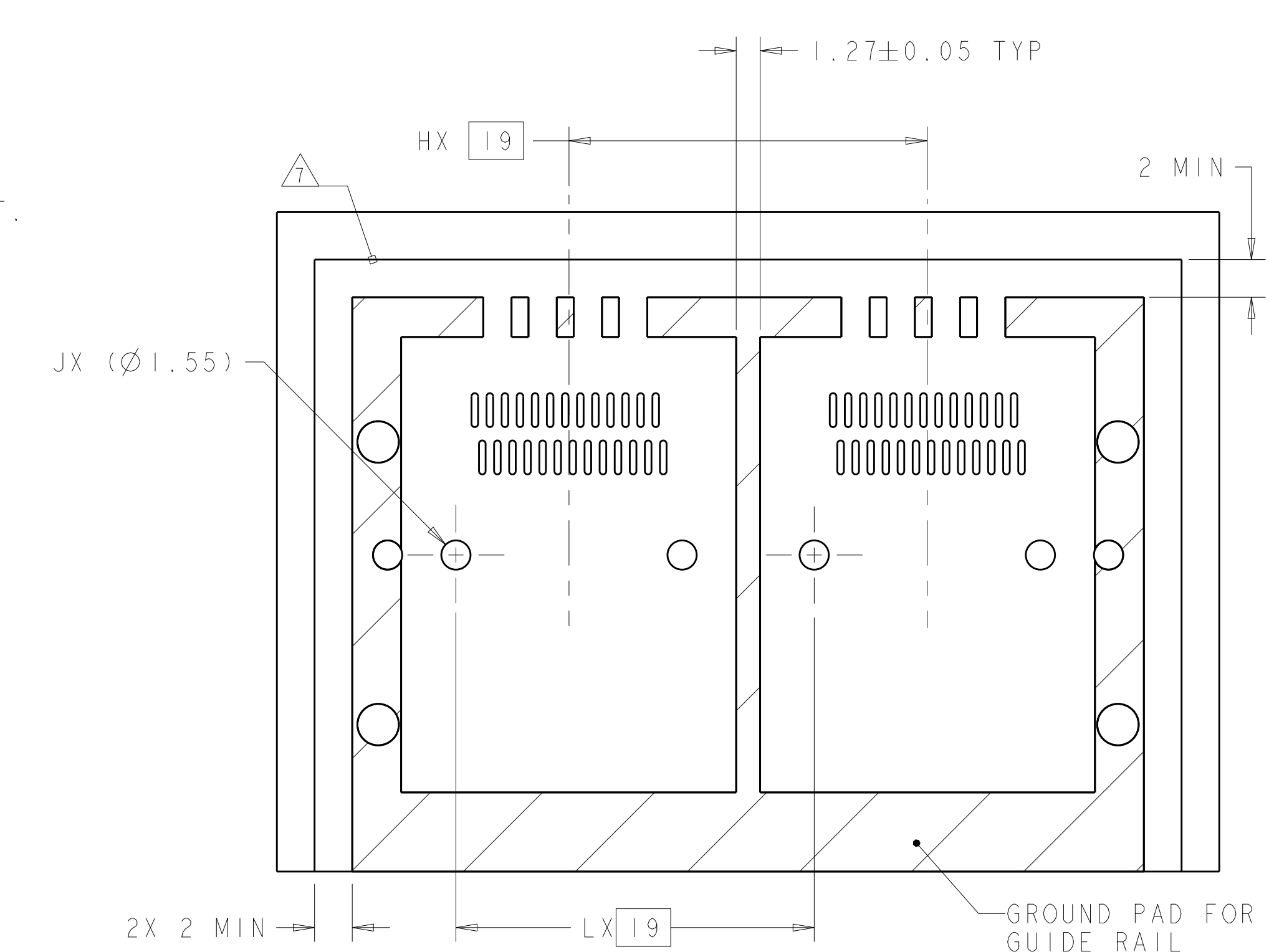
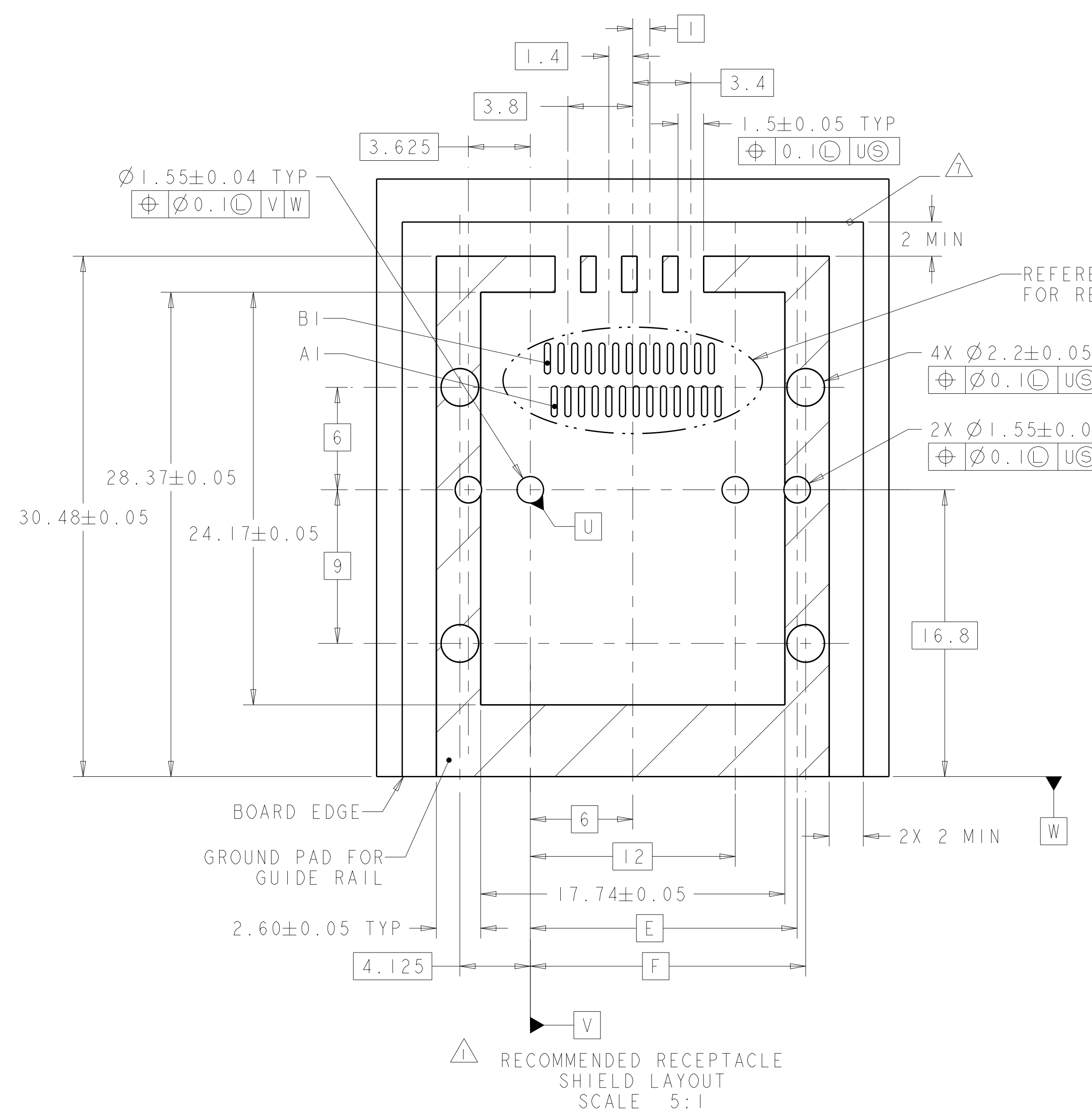
RECOMMENDED MULTI-PORT LAYOUT,
 SAME AS 1888321-1, EXCEPT AS SHOWN
 SCALE 5:1



SECTION A-A
 SCALE 10:1

THIS DRAWING IS A CONTROLLED DOCUMENT. DIMENSIONING AND TOLERANCING PER ASME Y14.5M-2009.		DWN: J. POLIGNONE 01AUG07	TE Connectivity
DIMENSIONS: mm		CHK: D. GORENC 01AUG07	
TOLERANCES UNLESS OTHERWISE SPECIFIED:		APVD: D. GORENC 01AUG07	NAME: EVERCLEAR Mini-SAS EXTERNAL RECEPTACLE SHELL ASSEMBLY
0 PLC ±	1 PLC ±	PRODUCT SPEC	SIZE: CAGE CODE DRAWING NO. RESTRICTED TO
2 PLC ±	3 PLC ±	APPLICATION SPEC	A100779C=1888321
4 PLC ±	ANGLES ±	WEIGHT	SCALE 5:1 SHEET 2 OF 4 REV C
MATERIAL: SEE NOTES	FINISH: SEE NOTES	Customer Drawing	

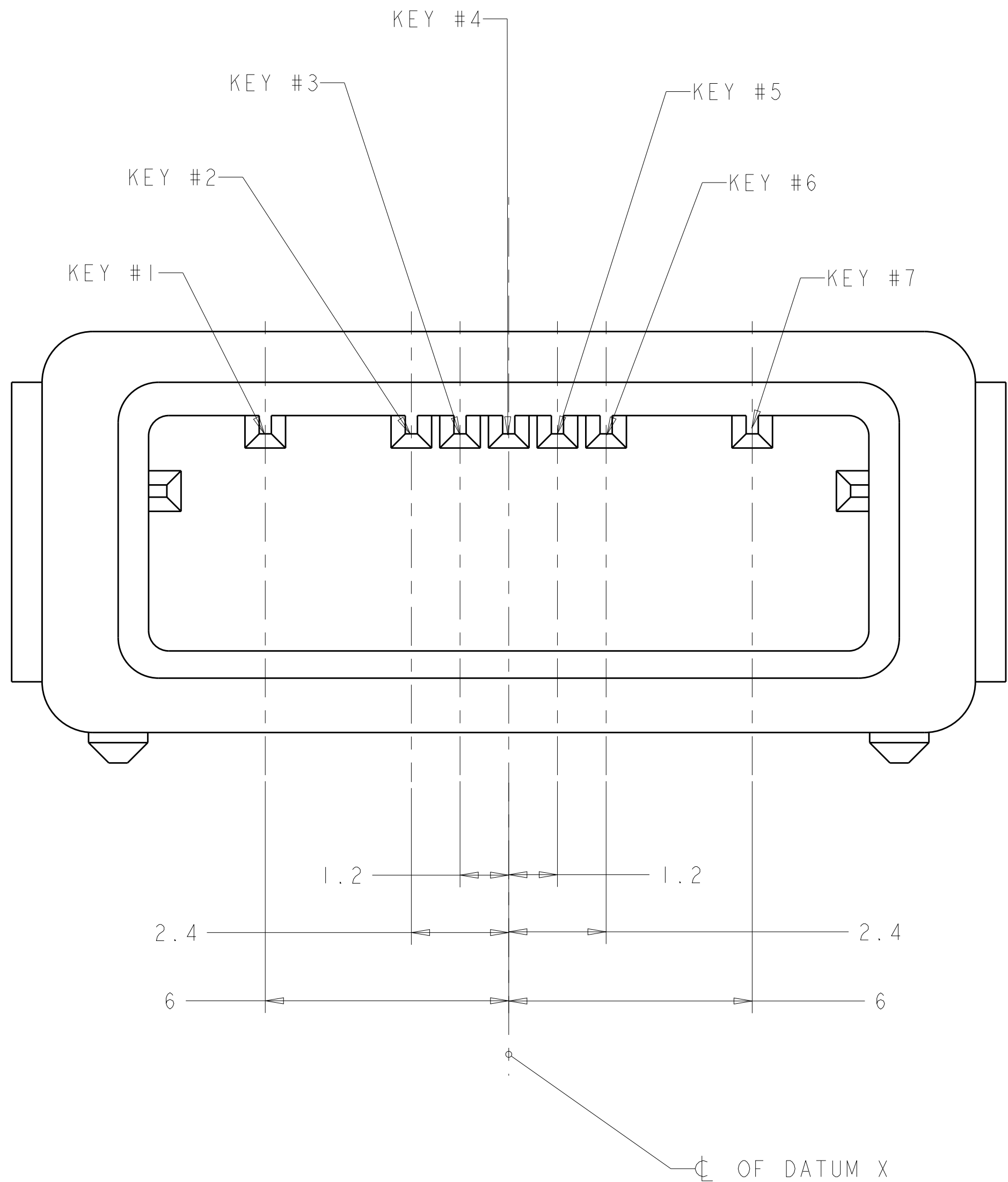
LOC		DIST		REVISONS			
GP	00	P	LTN	DESCRIPTION	DATE	DMN	APVD
		-		SEE SHEET 1			



THIS DRAWING IS A CONTROLLED DOCUMENT. DIMENSIONING AND TOLERANCING PER ASME Y14.5M-2009.		DMN J. POLIGNONE 01AUG07	 TE Connectivity
DIMENSIONS: mm		CHK D. GORENC 01AUG07	
TOLERANCES UNLESS OTHERWISE SPECIFIED:		APVD D. GORENC 01AUG07	NAME EVERCLEAR Mini-SAS EXTERNAL RECEPTACLE SHELL ASSEMBLY
0 PLC ±	1 PLC ±	PRODUCT SPEC	SIZE CAGE CODE DRAWING NO
2 PLC ±	3 PLC ±	APPLICATION SPEC	A100779C=1888321
4 PLC ±	ANGLES ±	WEIGHT	RESTRICTED TO
MATERIAL SEE NOTES	FINISH SEE NOTES	Customer Drawing	SCALE 3:1 SHEET 3 OF 4 REV C

LOC	DIST	REV	DATE	BY	APPV
GP	00				

REVISIONS					
REV	DATE	BY	APPV	DESCRIPTION	DATE
-	-	-	-	SEE SHEET 1	-



POSSIBLE KEYING POSITION LOCATIONS
SCALE 10:1

- △ LOCATIONS OF DATUMS TO BE DETERMINED BY THE CUSTOMER.
- △ ZINC DIE CAST PER ASTM B 86.
- △ PASSIVATE PER ASTM B 102 OVER 2.54µm MINIMUM NICKEL PLATE PER QQ-N-290 OVER 5.08µm MINIMUM COPPER PLATE PER AMS 2418
- △ OMNI DIRECTIONAL CONDUCTIVE FOAM
- △ SHELLS AFFIXED TO PCB VIA CUSTOMER SUPPLIED M2 x 0.4mm THREADED SCREWS.
- 6. PRODUCT USED IN CONJUNCTION WITH SURFACE MOUNT CONNECTOR 1761987-1.
- △ RAISED SOLDER MASK KEEP OUT AREA, APPLIES TO AREA INSIDE BOX.
- △ PRELIMINARY NOT RELEASED FOR PRODUCTION.
- △ DATE CODE APPLIED IN GENERAL AREA AS INDICATED.

	I	38.75	4	I	I	35.125	34.625	42	39.25	38.25	38.25	4	4	-	-	2	2-1888321-2
	I	38.75	4	I	I	35.125	34.625	42	39.25	38.25	38.25	2-4	2-4	-	-	2	1-1888321-3
	I	38.75	4	I	I	35.125	34.625	42	39.25	38.25	35.25	4-6	2-4	-	-	2	1-1888321-2
	I	38.75	4	I	I	35.125	34.625	42	39.25	38.25	38.25	2	6	-	-	2	1-1888321-1
	I	38.75	4	I	I	35.125	34.625	42	39.25	38.25	38.25	2	2	-	-	2	1-1888321-0
	N/A	19.75	2	N/A	N/A	16.125	15.625	23	20.25	19.25	19.25	4-6	-	-	-	1	1888321-9
	N/A	19.75	2	N/A	N/A	16.125	15.625	23	20.25	19.25	19.25	2-4	-	-	-	1	1888321-8
	N/A	19.75	2	N/A	N/A	16.125	15.625	23	20.25	19.25	19.25	6	-	-	-	1	1888321-7
	N/A	19.75	2	N/A	N/A	16.125	15.625	23	20.25	19.25	19.25	2	-	-	-	1	1888321-6
OBSOLETE	3	76.75	8	3	3	73.125	72.625	80	77.25	76.25	76.25	4	4	4	4	4	△ 1888321-4
OBSOLETE	2	57.75	6	2	2	54.125	53.625	61	58.25	57.25	57.25	4	4	4		3	△ 1888321-3
	I	38.75	4	I	I	35.125	34.625	42	39.25	38.25	38.25	4	4	-	-	2	1888321-2
	N/A	19.75	2	N/A	N/A	16.125	15.625	23	20.25	19.25	19.25	4	-	-	-	1	1888321-1
	L	K	J	H	G	F	E	D	C	B	A	KEYING POSITION				# OF PORTS	PART NUMBER
												PORT 1 (SINGLE PORT)	PORT 2	PORT 3	PORT 4		

THIS DRAWING IS A CONTROLLED DOCUMENT. DIMENSIONING AND TOLERANCING PER ASME Y14.5M 2009. TOLERANCES UNLESS OTHERWISE SPECIFIED:

DIMENSIONS:	mm	0 PLC ±	1 PLC ±	2 PLC ±	3 PLC ±	4 PLC ±	ANGLES	FINISH	SEE NOTES
-------------	----	---------	---------	---------	---------	---------	--------	--------	-----------

APPROVED: D. GORENC, DATE: 01AUG07
 CHECKED: D. GORENC, DATE: 01AUG07
 DRAWN: J. POLIGNONE, DATE: 01AUG07

STE TE Connectivity
 NAME: EVERCLEAR Mini-SAS EXTERNAL RECEPTACLE SHELL ASSEMBLY
 SIZE: A1, CAGE CODE: 100779, DRAWING NO: 1888321
 SCALE: 3:1, SHEET 4 OF 4, REV C