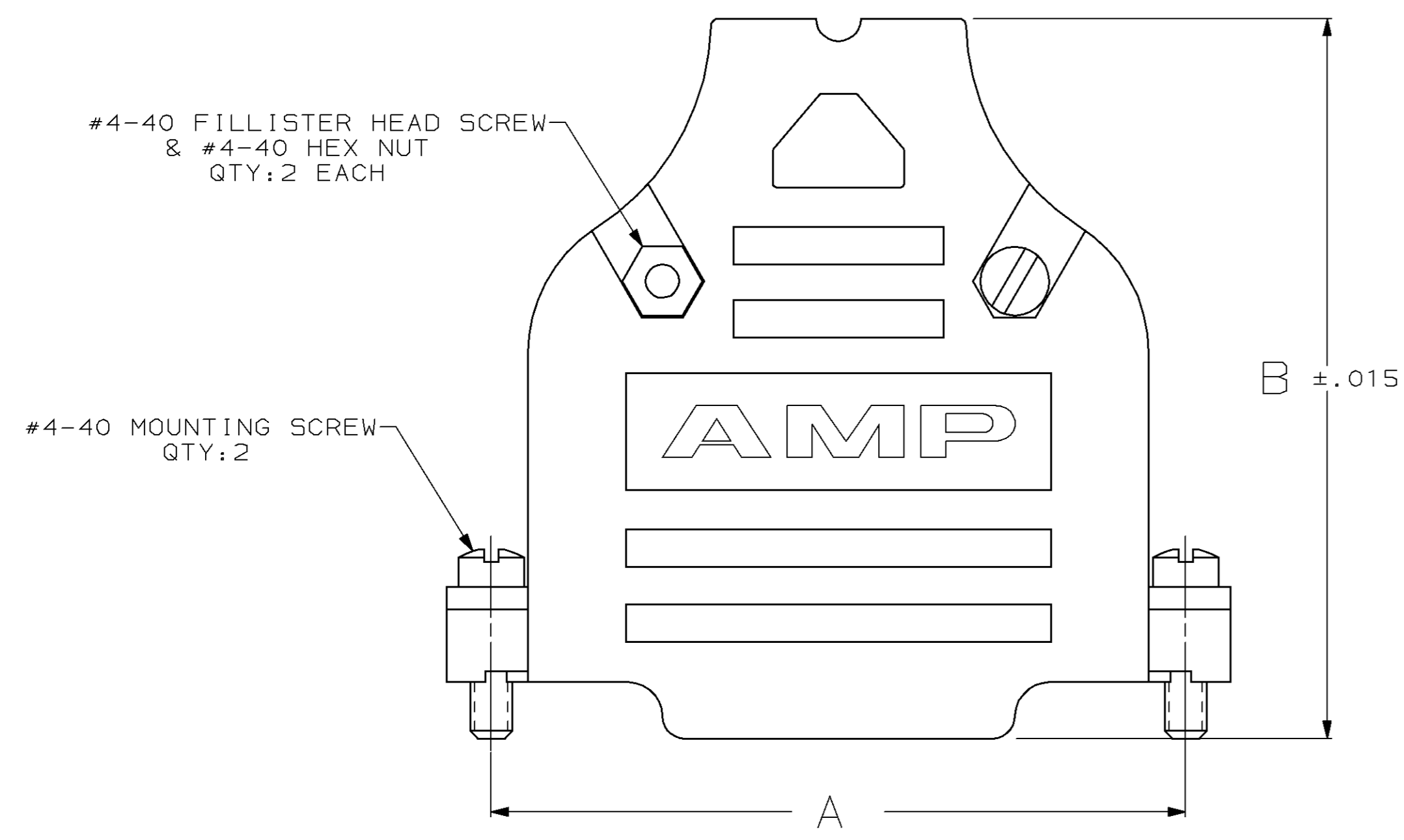
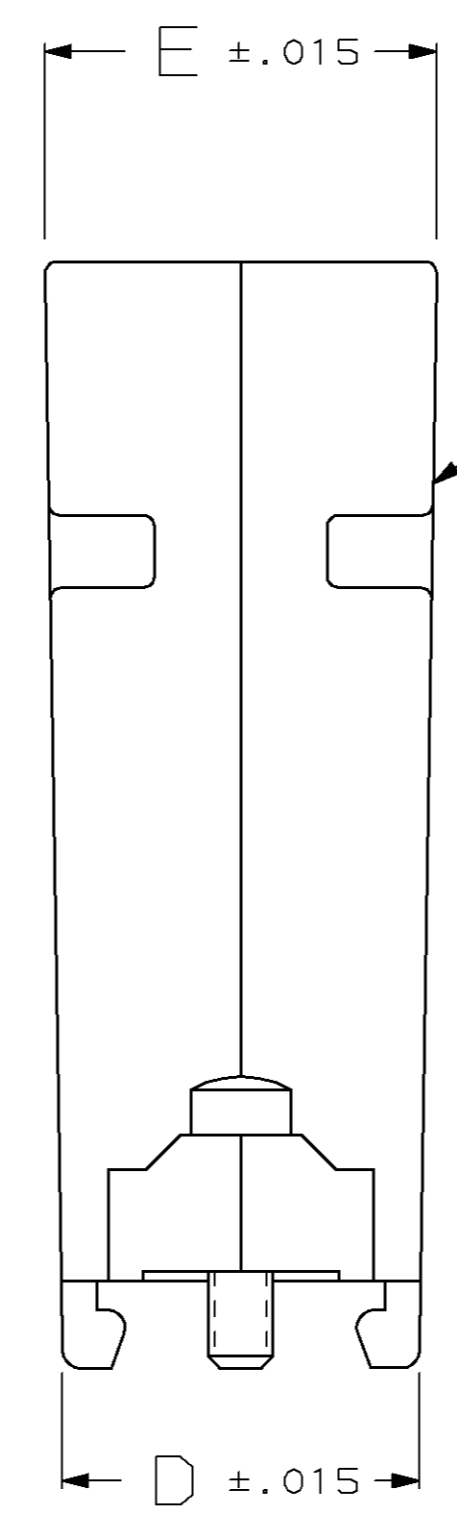
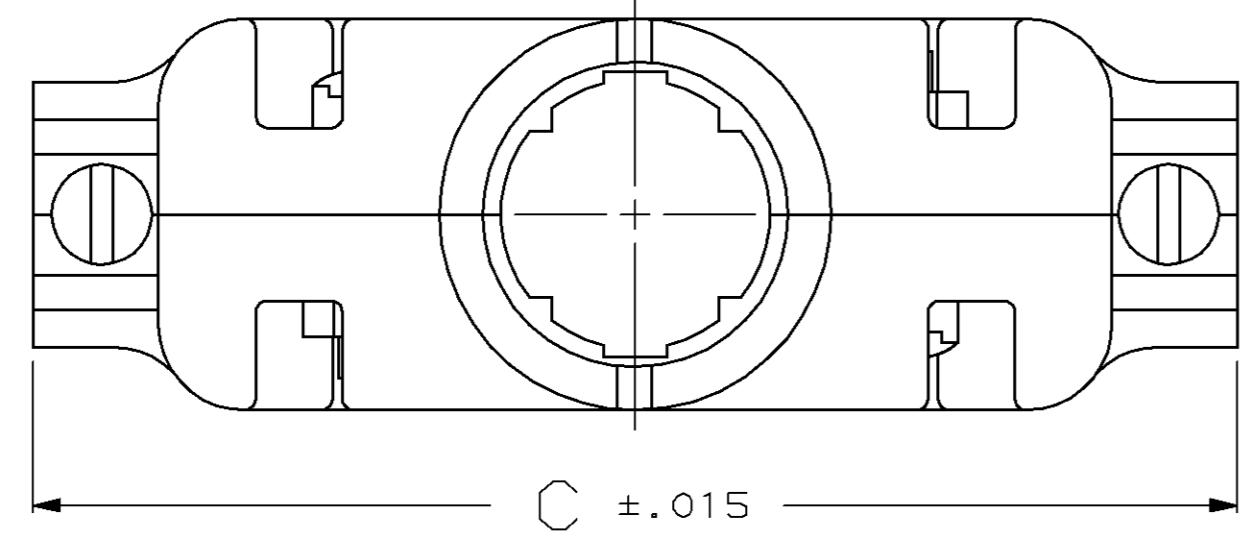
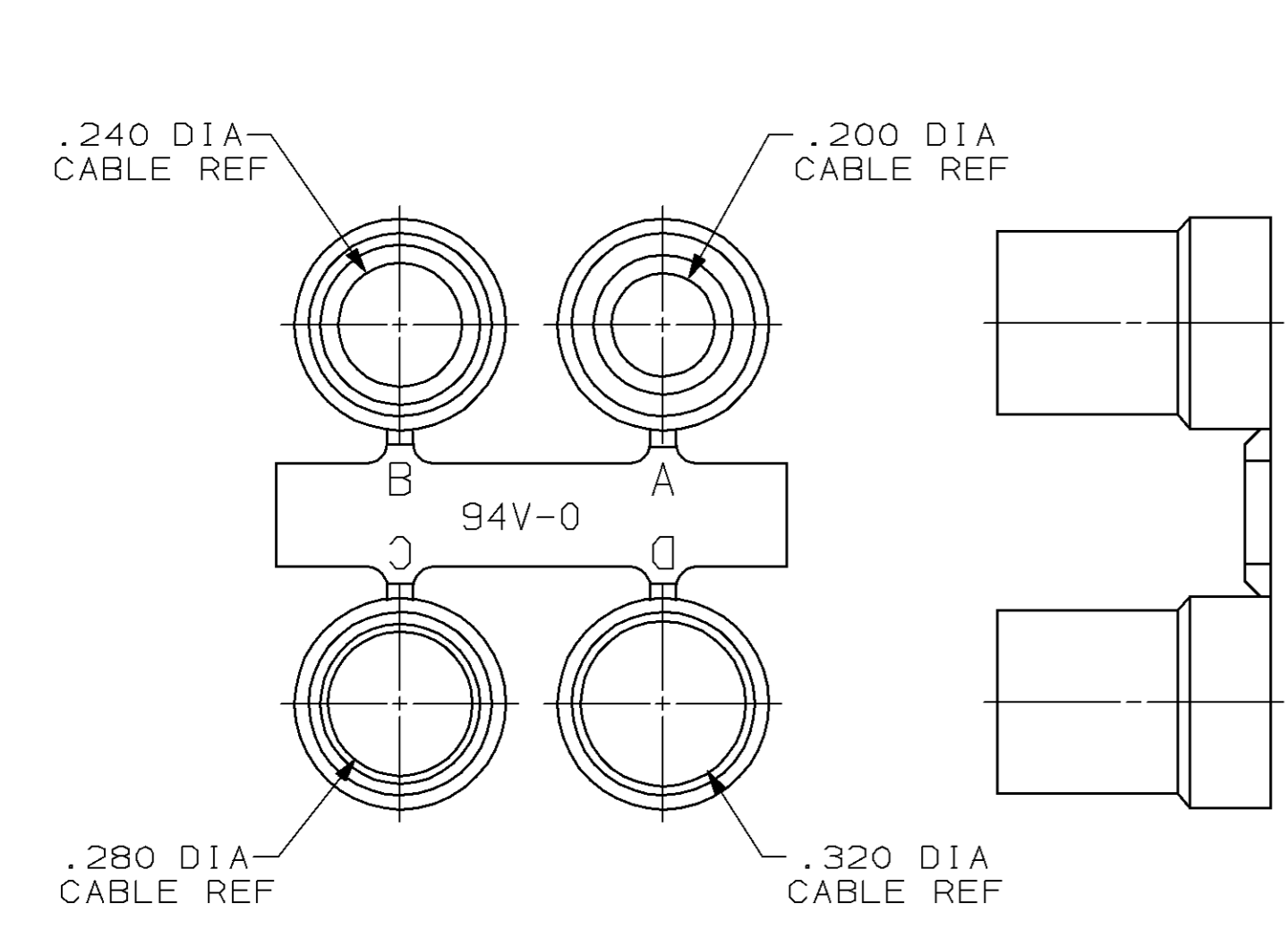


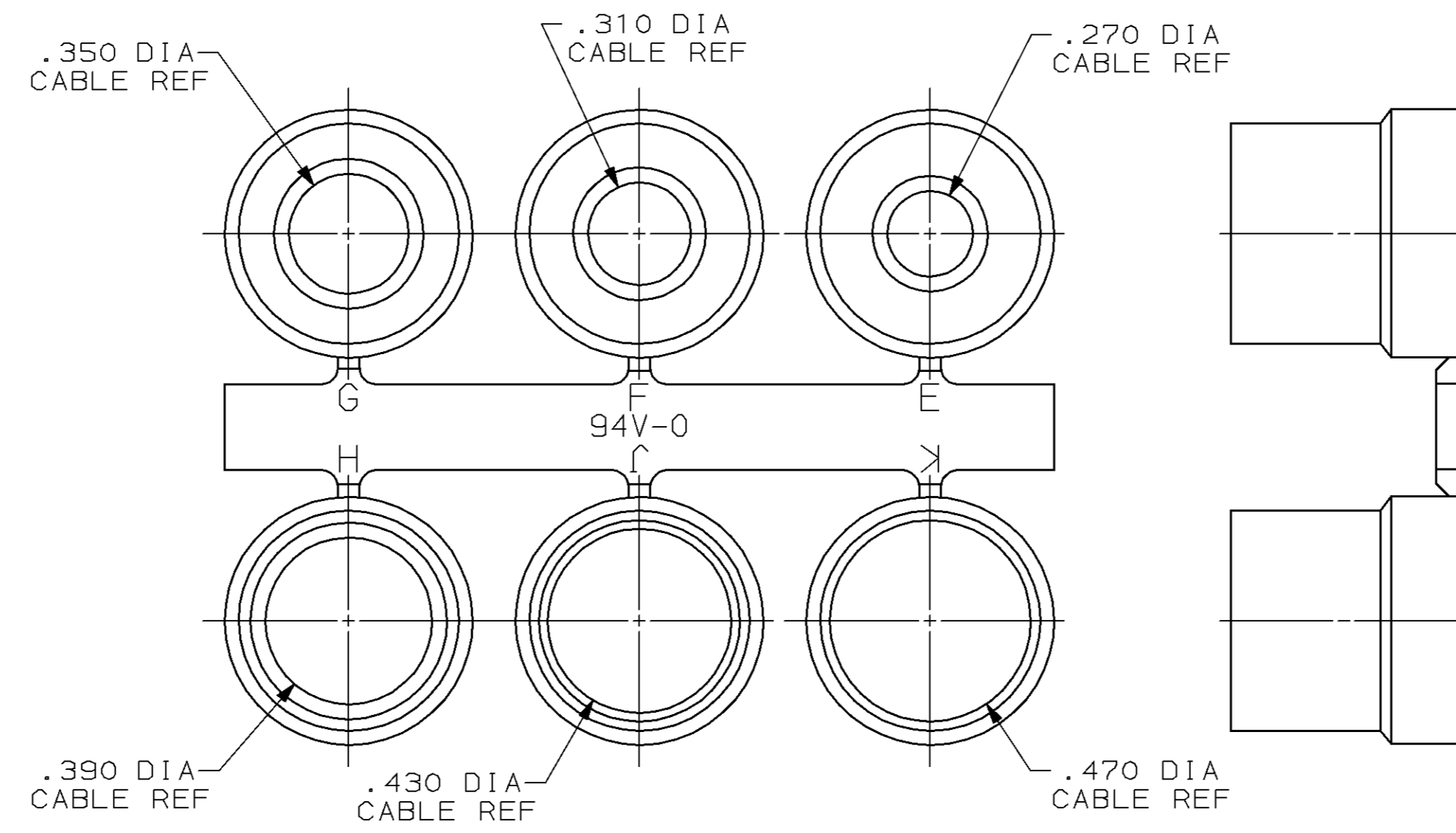
LOC		DIST		P		F		ZONE		LTR		REVISIONS			
BD	48											DESCRIPTION	DATE	APPD	
												O	RELEASED	-	-
												A	REVISED PER ECN-2422	8/24/88	SW
												B	REVISED PER ECN BD5388	11/27/91	RM
												C	REV PER EC 0020-117-93	03/17/93	SB
												C1	ADDED -6, -7, -8 PER NPR 4841	07/09/93	MW
												D	REV PER EC 0020-1344-93	11/01/93	SB
												E	OBSOLETE -6 THRU -8 PER EC 0420-141-96	25 SEPT 97	SB



- PARTS PACKAGED UNASSEMBLED AS A UNIT KIT.  
 CABLE CLAMP HALVES: BLACK ABS MOLDING COMPOUND, FILLISTER HEAD SCREWS, HEX NUTS & MOUNTING SCREWS: STEEL PER ASTM A108, GROMMETS: FLEXIBLE PVC, UL 94V-0 RATED, COLOR: BLACK.
- CABLE CLAMP HALVES: NICKEL OVER COPPER, FILLISTER HEAD SCREWS, HEX NUTS & MOUNTING SCREWS: ZINC PLATED PER ASTM B633, TYPE III, CLASS SC1, CLEAR CHROMATE.



GROMMET ASSORTMENT FOR SIZES 1 & 2 ONLY



GROMMET ASSORTMENT FOR SIZES 3, 4 & 5 ONLY

OBSOLETE	SMALL PACK	.680	.640	2.090	1.920	1.852	3	748677-8
OBSOLETE	SMALL PACK	.620	.620	1.545	1.910	1.312	2	748677-7
OBSOLETE	SMALL PACK	.570	.630	1.215	1.910	.984	1	748677-6
	STANDARD	.900	.730	2.644	1.920	2.406	5	748677-5
	STANDARD	.800	.620	2.738	1.920	2.500	4	748677-4
	STANDARD	.680	.640	2.090	1.920	1.852	3	748677-3
	STANDARD	.620	.620	1.545	1.910	1.312	2	748677-2
	STANDARD	.570	.630	1.215	1.910	.984	1	748677-1
	PACKAGING	E	D	C	B	A	SIZE	PART NO

DO NOT SCALE PRINT. UNLESS SPECIFIED DIMENSIONS IN INCHES TOLERANCES ON : 2 PLC DEC ± .005 3 PLC DEC ± .005 ANGLES ± -	DR 5/4/88 S. WELDON CHK 5/4/88 W.G. LENKER APPD 5/6/88 R. WHYNE APPD 5/6/88 V. KUMAR	<b>AMP</b>   AMP INCORPORATED Harrisburg, Pa. 17105		
MATERIAL	2	NAME KIT, CABLE CLAMP, 180° EXIT, W/GROMMETS, PLATED PLASTIC, AMPLIMITE®		
FINISH	3	APPLICATION SPEC	SIZE <b>D</b>	FSCM NO 00779
WEIGHT	-		DRAWING NO 748677	SHEET 1 OF 1