

6

5

4

3

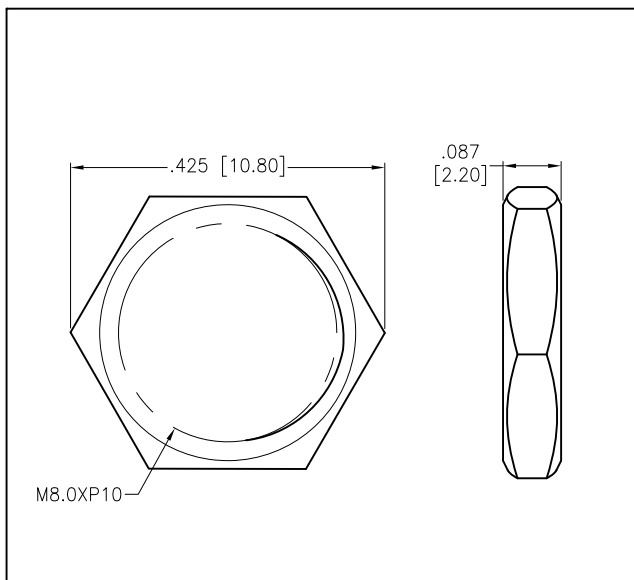
2

1

APPROVED: _____

DATE: _____ TITLE: _____

Rev	AWO #	Description	Date	Appr
-		RELEASED	6/22/22	



D

D

C

C

B

B

A

A

UNLESS OTHERWISE SPECIFIED ALL DIMENSIONS ARE INCHES [MM]. TOLERANCES: EXCEPT AS NOTED

INCHES		HOLES	
.x	± .10	∅x	± .10
.xx	± .020	∅xx	± .015
.xxx	± .015	∅xxx	± .010

ADAM TECH 909 Rahway Avenue,
Union, NJ 07083
Phone: 908-687-5000
Fax: 908-687-5710

DRAWN	JJ	6/22/22
CHECKED	TW	6/22/22
APPROVED		

TITLE		
HARDWARE FOR ASJ-203C-M-WP-HDW, NUT M8X1.0P		
SIZE	PART NO.	REV.
X	HDW-120	-

THIS DRAWING CONTAINS INFORMATION THAT IS PROPRIETARY AND SHOULD NOT BE USED WITHOUT PRIOR WRITTEN PERMISSION FROM ADAM TECH

REF:	S00002C	SCALE:	NTS	SHEET	1 OF 1
------	---------	--------	-----	-------	--------

SPECIFICATIONS:
Material: Brass, Nickel plated
Environmental:
Lead free, RoHS compliant.



6

5

4

3

2

1