
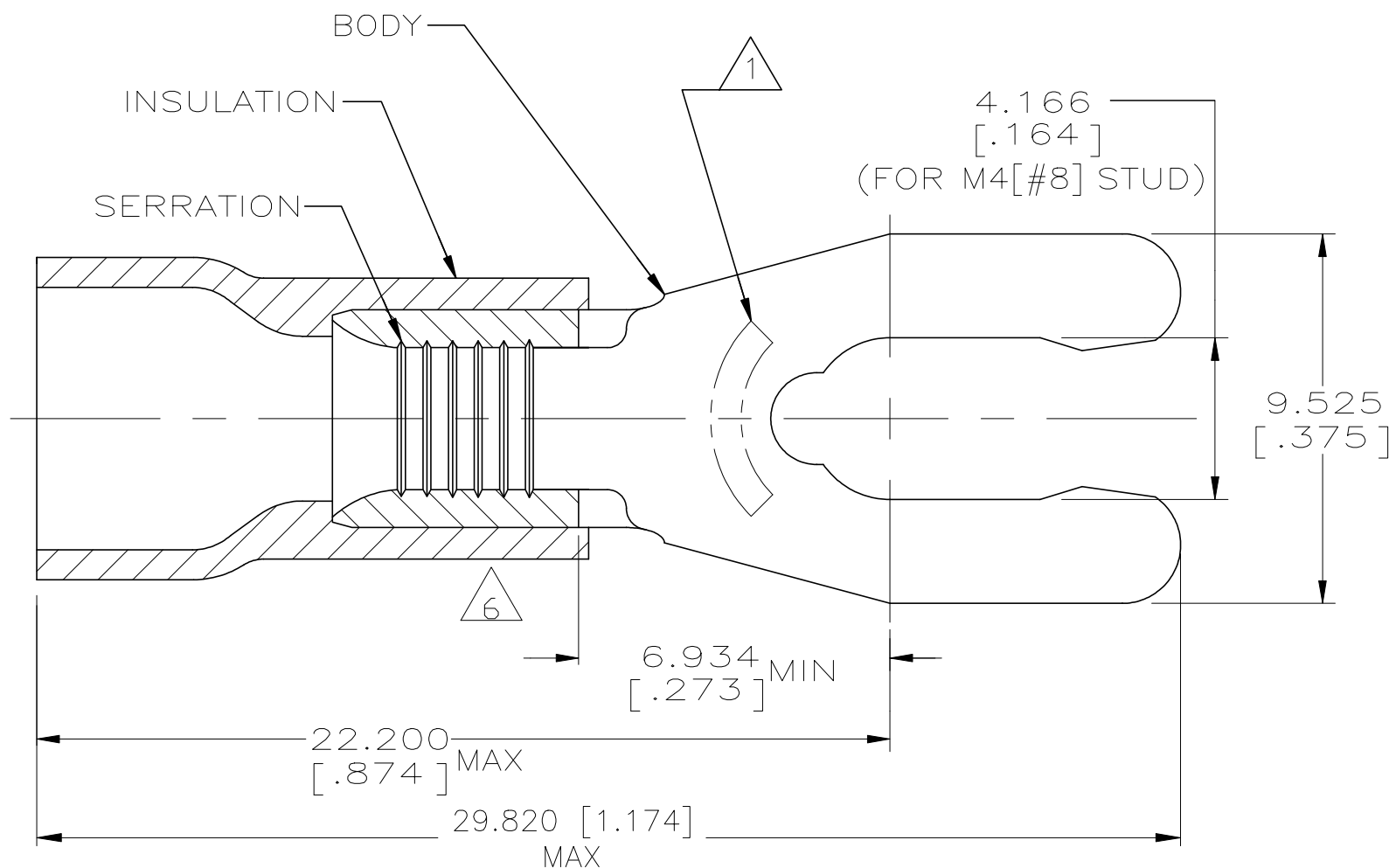



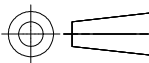
P	LTR	DESCRIPTION	DATE	DWN	APVD
P		REVISED PER ECR-23-163311	09MAR2023	BB	DSC

AMP WIRE RANGE	 Listed FILE E13288
12-10 AWG SOLID OR STRANDED	12 AWG STRANDED



- ① STAMP 8S AMP 12-10*APPROX AS SHOWN
- 2. WIRE INSULATION DIAMETER:
ø2.667[.105] TO ø5.080[.200]
- 3. BODY MATERIAL THK: 1.016±0.051[.040±.002]
- ④ MATERIAL: BODY - BRASS PER ASTM B36
INSULATION - PVC,
- ⑤ FINISH:
BODY - TIN PLATE 0.00254[.000100]
MIN EXT THK PER ASM B545
INSUALTION COLOR - YELLOW
- ⑥ APPLIES FROM EDGE OF METAL WIRE BARREL TO
CENTER OF STUD HOLE

2500	ON TAPE, REEL	52474-1
500	LOOSE PIECE	52474
QTY	PACKAGE TYPE	PART NO

AMP INCORPORATED CUSTOMER SERVICE SYSTEMS		MAX RECOMMENDED OPERATING TEMPERATURE: 105°C [221°F]	THIS DRAWING IS A CONTROLLED DOCUMENT.		DWN L OLMEDA 26JUN95	 TE Connectivity			
FOR ADDITIONAL PRODUCT INFORMATION OR COPIES OF DRAWINGS AND TECHNICAL DOCUMENTS	PRODUCT INFORMATION CENTER 1-800-522-6752	VOLTAGE RATING: 600V MAX (1000V FIXTURE OR SIGN)	DIMENSIONS: mm [INCHES]	TOLERANCES UNLESS OTHERWISE SPECIFIED:	CHK M ELLIS 26JUN95			NAME TERMINAL, SPRING SPADE, LONG, PLASTI-GRIP, WIRE SIZE :12-10 AWG	
FOR APPLICATION TOOLING INFORMATION	TOOLING ASSISTANCE CENTER 1-800-722-1111	CIRCULAR MIL AREA: 2.62-6.64mm² [5,180-13,100] SOLID OR STRANDED		0 PLC ± - 1 PLC ± - 2 PLC ± - 3 PLC ± 0.127[.005] 4 PLC ± - ANGLES ± -	APVD G NGO 26JUN95	APPLICATION SPEC UL 486A-B			
FOR ORDER ENTRY	1-800-526-5142	THIS DRAWING IS A CONTROLLED DOCUMENT FOR AMP INCORPORATED. IT IS SUBJECT TO CHANGE AND THE CONTROLLING ENGINEERING ORGANIZATION SHOULD BE CONTACTED FOR THE LATEST REVISION.	MATERIAL ④	FINISH ⑤	PRODUCT SPEC 114-2161	SIZE A3	CAGE CODE 00779	DRAWING NO G-52474	RESTRICTED TO -
					CUSTOMER DRAWING	SCALE 6:1	SHEET 1 of 1	REV P	