

## 2 Nm double ovoid 3.9 Watts 3.9 W Part number 82869001



- Torque rating of gearboxes : 2 Nm, high-performance plastic gears
- Motors : nominal power 3 W, interference suppression for standard stocked products
- Wide speed range : 0.3 to 430 rpm
- Optional encoder built into the motor

### Part numbers

|          | Type  | Type   | Voltage | Output speed (rpm) | Ratios (i) |
|----------|-------|--------|---------|--------------------|------------|
| 82869001 | 3.9 W | 828690 | 12 V    | 108                | 40         |

### Specifications

#### General characteristics

|  |        |
|--|--------|
| Motor  | 828600 |
| Gearbox  | 810330 |
| Maximum permitted torque from gearmotor under continuous conditions for 1 million turns (Nm) | 2      |
| Axial load static (daN)  | 1      |
| Radial load static (daN)   | 10     |
| Max. output power (W)  | 3,9    |
| Nominal output (W)   | 3      |
| Gearbox case temperature rise (°C)   | 50     |
| Weight (g)   | 240    |

### Made to order products, available on request

#### Motors :

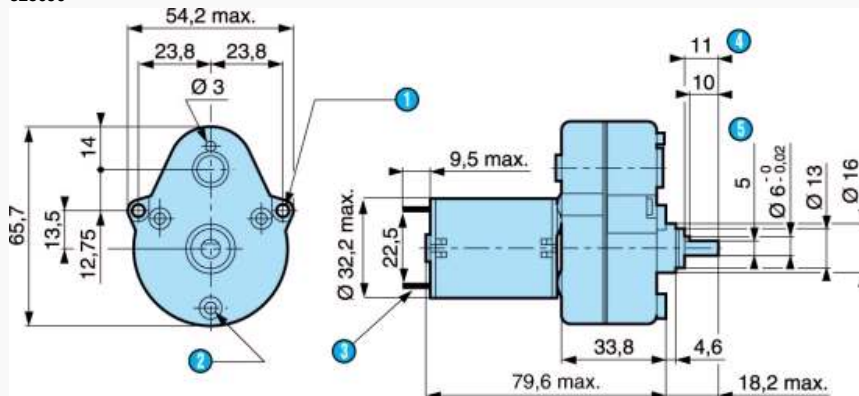
- Other supply voltages
- Motor with 2 ball bearings
- Shaft lengths at front and/or rear
- Lead outputs or radial tag terminals
- Special interference suppression
- Encoder : 5 pulses/rev

#### Gearboxes :

- Special shaft
- Ball bearings
- Special greasing
- Torque limiter F
- Gearbox fixing M3
- Other speeds

### Dimensions (mm)

828690

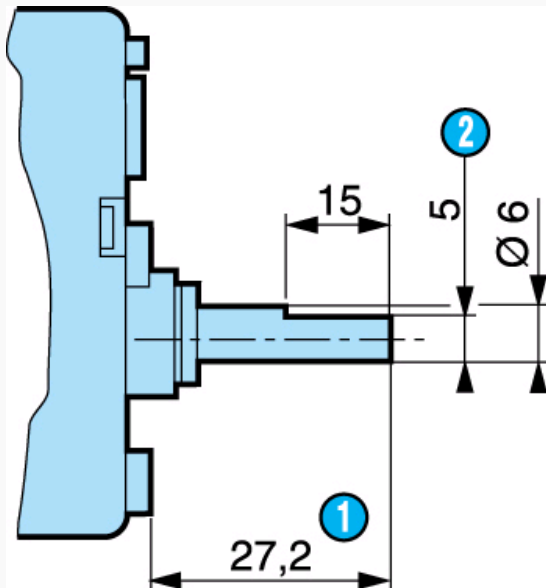


| N° | Legend  |
|----|---|
| 1  | 2 fixing holes $\text{Ø } 3.2$                                    |
| 2  | 3 bosses $\text{Ø } 7.2$ at $120^\circ$ on $R=19.5$ with M3 holes |

|   |   |
|---|---|
| ① | 2 standard tags NFC 20-120, series 2.8 x 0.5 mm |
| ② | Shaft pushed-in                                 |
| ③ | 5 across flats                                  |

**Dimensions (mm)**

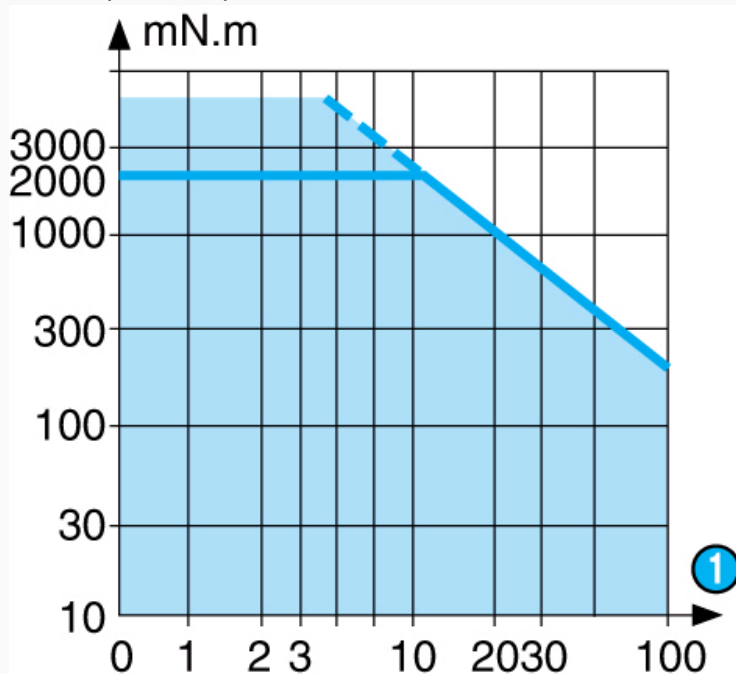
Shaft 79202573



| N° | Legend          |
|----|-----------------|
| ①  | Shaft pushed-in |
| ②  | 5 across flats  |

**Curves**

Curve : torque/nominal speed



| N° | Legend |
|----|--------|
| ①  | rpm    |

**Product adaptations**

- Special supply voltage
- Lead output
- 1 or 5 pulse Hall effect encoder
- Special connectors
- Special shaft
- Special reduction ratio
- Special materials for gears
- Special ball bearings
- Special adaptor plate
- Finishing and system Y
- More than 200 reduction ratios available
- With shorter 1 W motor