

THIS DRAWING IS UNPUBLISHED. RELEASED FOR PUBLICATION 20
 © COPYRIGHT 20 BY TYCO ELECTRONICS CORPORATION. ALL RIGHTS RESERVED.

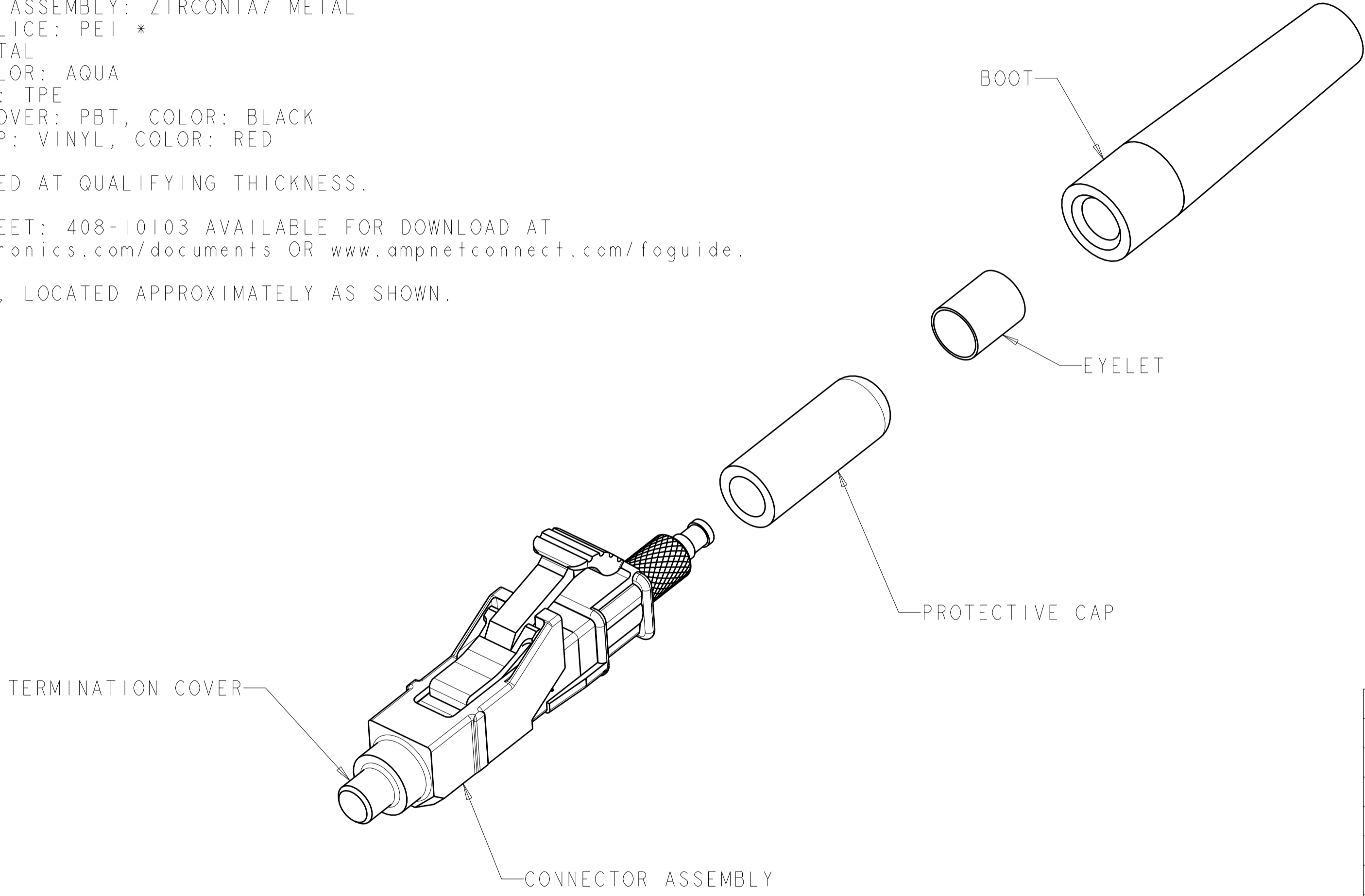
LOC	DIST	REVISIONS			
P	LTR	DESCRIPTION	DATE	DWN	APVD
CE	00				
	C	ECR-08-031868	30DEC2008	KG	SB
	CI	REVISE NOTE 2	16MAR2009	BB	SB

- 1 MATERIAL:
 CONNECTOR ASSEMBLY:
 CONNECTOR HOUSING: PPSU, COLOR: SEE -NO'S.*
 REAR BODY: METAL
 COMPRESSION SPRING: METAL
 FERRULE SUB ASSEMBLY: ZIRCONIA/ METAL
 INTERNAL SPLICE: PEI *
 PLUNGER: METAL
 BOOT: TPE, COLOR: AQUA
 BUILD-UP TUBE: TPE
 TERMINATION COVER: PBT, COLOR: BLACK
 PROTECTIVE CAP: VINYL, COLOR: RED

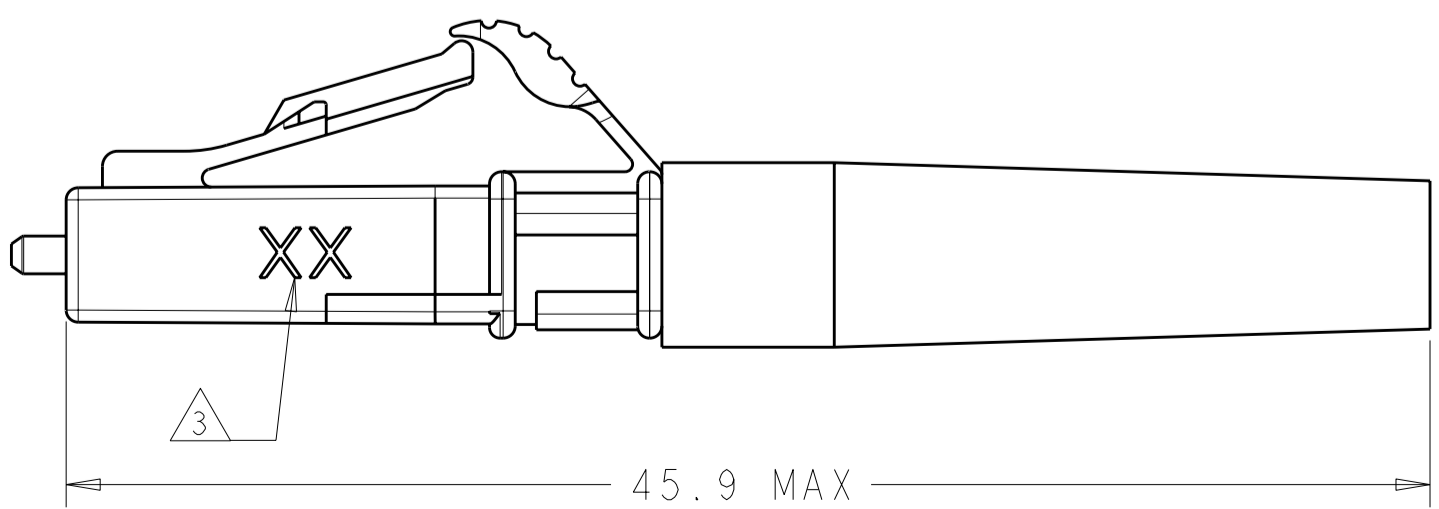
*UL94 V-0 RATED AT QUALIFYING THICKNESS.

2. INSTRUCTION SHEET: 408-10103 AVAILABLE FOR DOWNLOAD AT
www.tycoelectronics.com/documents OR www.ampnetconnect.com/foguide.

3 MARK WITH "50", LOCATED APPROXIMATELY AS SHOWN.



SLATE	1-1828858-0
ORANGE	1828858-9
VIOLET	1828858-8
BROWN	1828858-7
AQUA	1828858-6
ROSE	1828858-5
BLUE	1828858-4
GREEN	1828858-3
YELLOW	1828858-2
RED	1828858-1
KEYED HOUSING COLOR	PART NO.



THIS DRAWING IS A CONTROLLED DOCUMENT FOR TYCO ELECTRONICS CORPORATION. IT IS SUBJECT TO CHANGE AND THE CONTROLLING ENGINEERING ORGANIZATION SHOULD BE CONTACTED FOR THE LATEST REVISION.

DIMENSIONS:	TOLERANCES UNLESS OTHERWISE SPECIFIED:	DWN	15MAR2007	Tyco Electronics Harrisburg, PA 17105-3608
mm	0 PLC ±	CHK	15MAR2007	
	1 PLC ±	APVD	15MAR2007	
	2 PLC ±	PRODUCT SPEC		
	3 PLC ±	APPLICATION SPEC		NAME
	4 PLC ±	WEIGHT		KIT, CONNECTOR, LightCrimp Plus LC
MATERIAL	ANGLES ±	CUSTOMER DRAWING		SECURE, SIMPLEX, MM50XG,
	FINISH	SCALE	4:1	1.6-2.0mm JACKET
		SHEET	1	RESTRICTED TO
		OF	1	-
		REV	CI	