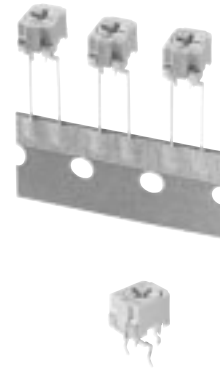


6 mm Square Dustproof Ceramic Trimmer Potentiometers  
(Cermet, Radial Taping, with Knob Protection)

Discontinued



Type: **EVMEAS/EVMEES**  
**(Radial Taping)**  
**EVMEAG/EVMEEG**  
**(Bulk)**

Alternative products  
 EVMEASA00B\*\* → EVMAASA00B\*\*  
 EVMEAGA00B\*\* → EVMAAGA00B\*\*  
 EVMEESA00B\*\* → EVMAESA00B\*\*  
 EVMEEGA00B\* → EVMAEGA00B\*\*

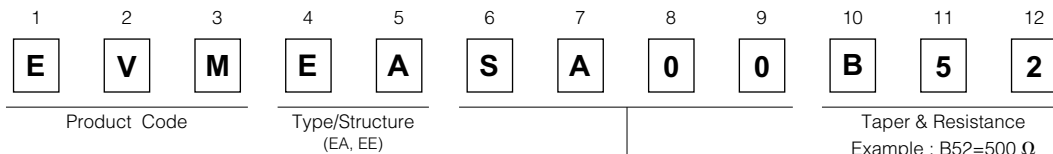
### ■ Features

- High reliability due to cermet element
- No readjustment needed through knob protected structure
- Excellent mounting efficiency due to cubic shape
- Automated adjustment available  
 Face side: Standard cross slot screwdriver suited to automatic adjustment applicable  
 Back side: Penetrated slot for easy driving
- Conforms to JIS C5260-1:1999

### ■ Recommended Applications

- Audio/visual, office, and communication equipment
- General electronic equipment

### ■ Explanation of Part Numbers



Symbol	Packaging
SA00	Radial taping height 20 mm
SA01	Radial taping height 21 mm
GA00	Bulk Standard

\*For part number details, refer to page ER129.

### ■ Specifications

	EVME□	EVME□ (Low Resistor Value)
Total Resistance Value	100 Ω to 1 MΩ	10 Ω to 500 Ω
Resistance Tolerance	±25 %	
Power Rating	0.3 W	0.5 W
Limiting Element Voltage (Maximum RCWV)	100 V	$\sqrt{P \cdot R}$
Rotation Torque	2 to 30 mN·m	
Stopper Strength	50 mN·m min.	
Temperature Coefficient of Resistance	$\pm 200 \times 10^{-6}/^{\circ}\text{C}$ (ppm/°C)	· $10 \Omega \leq R \leq 20 \Omega$ ..... $\pm 200 \times 10^{-6}/^{\circ}\text{C}$ (ppm/°C) · $20 \Omega < R \leq 200 \Omega$ ..... $\pm 150 \times 10^{-6}/^{\circ}\text{C}$ (ppm/°C) · $200 \Omega < R \leq 500 \Omega$ ..... $\pm 100 \times 10^{-6}/^{\circ}\text{C}$ (ppm/°C)

### ■ Minimum Quantity/Packing Unit

Part Number	Radial taping		Bulk	
	Quantity per Box	Packaging quantity	Quantity per pack	Packaging quantity
EVMEAS EVMEES	1000	10000	—	—
EVMEAG	—	—	200	2000
EVMEEG	—	—	1000	3000

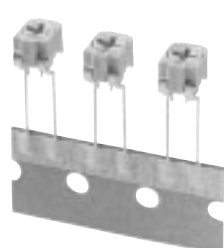
Discontinued

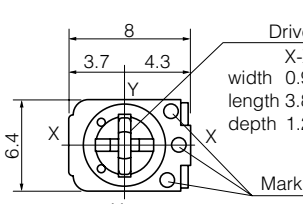
■ Dimensions in mm (not to scale)

● Radial tapering

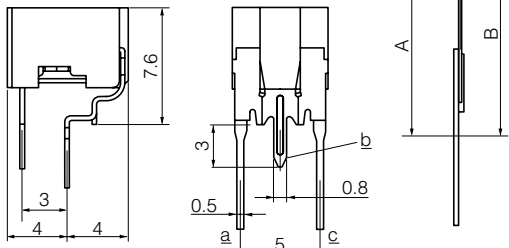
● 3-terminal, Top-adjust, Cross/Ordinary Slots..... EVMEAS/EVMEES

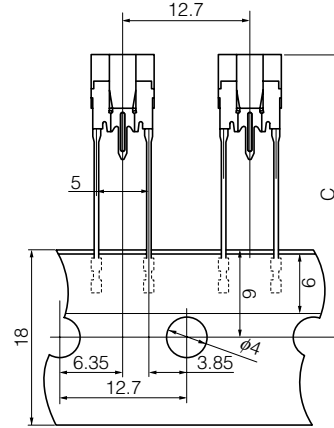
**No. 1**



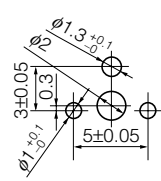


Driver Slot  
X-X Y-Y  
width 0.9 0.9  
length 3.8 4.2  
depth 1.2 1.7

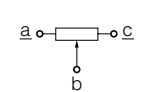




	A	B	C
A00	17	20	27.6
A01	18	21	28.6



(Recommended PWB Piercing Plan)




(Circuit diagram)

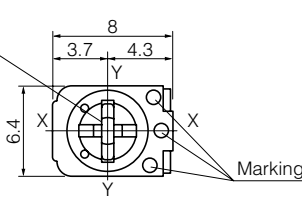
Mass (Weight) : 590 mg/pc.

● Bulk

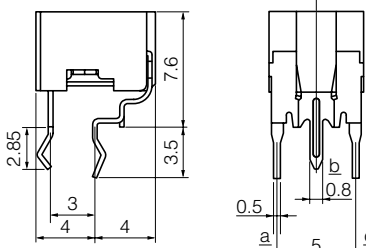
● 3-terminal, Top-adjust, Cross/Ordinary Slots..... EVMEAG/EVMEEG

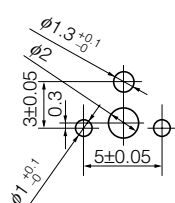
**No. 2**



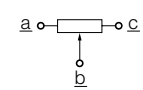


Driver Slot  
X-X Y-Y  
width 0.9 0.9  
length 3.8 4.2  
depth 1.2 1.7





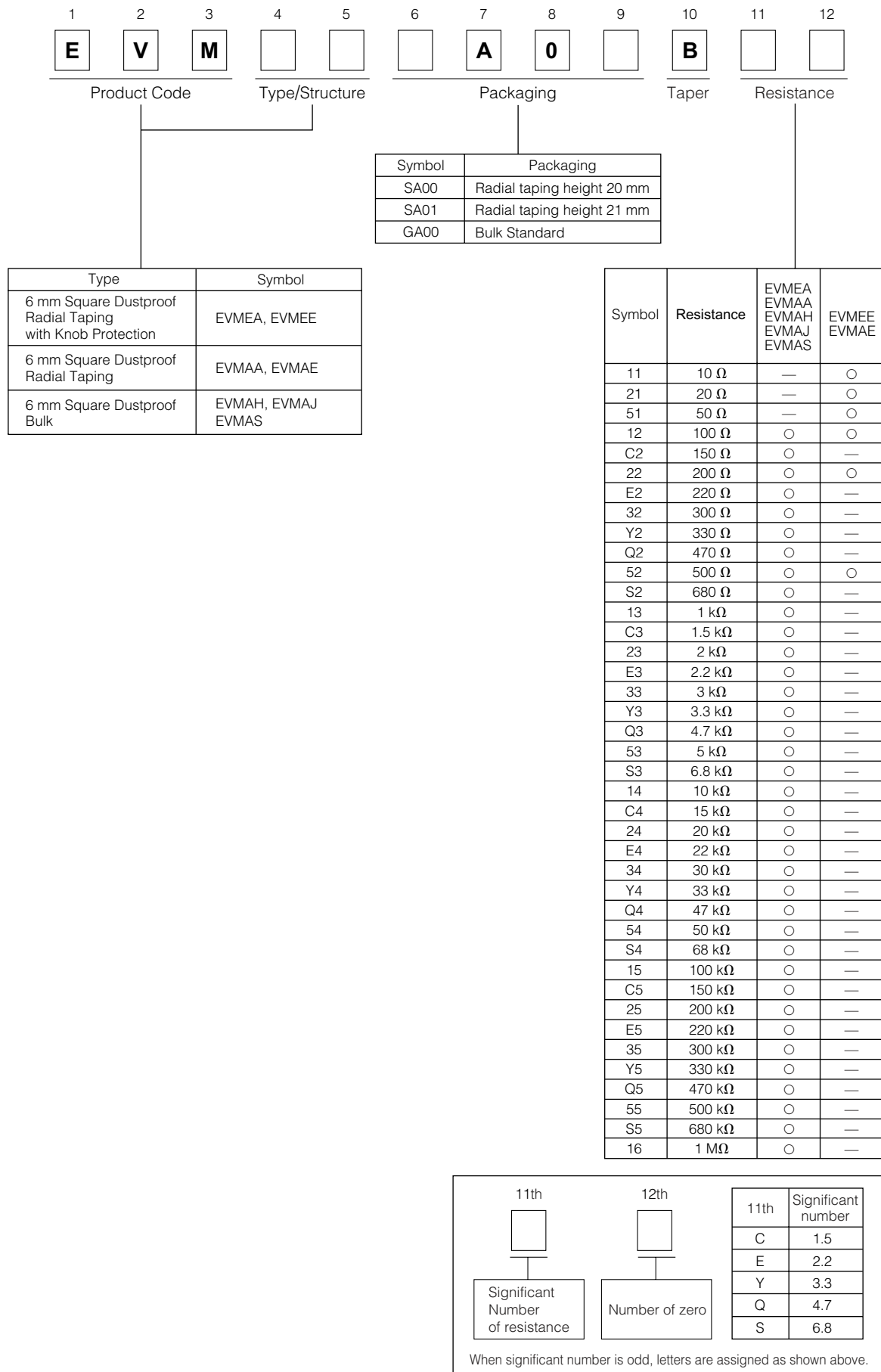
(Recommended PWB Piercing Plan)



(Circuit diagram)

Mass (Weight) : 590 mg/pc.

### ■ Explanation of Part Numbers



**Alternative products**

**【3mm Square SMT Trimmer Potentiometers】**

Production discontinuance Parts No.	Type
EVN5ESX50B**	Carbon 3mm Square Dustproof (with the rotation stopper)
EVN5CSX50B**	Carbon 3mm Square Dustproof



Recommended substitution Parts No.	Type
EVM3VSX50B**	Cermet 3mm Square Open (with the rotation stopper)
EVM3YSX50B**	Cermet 3mm Square Open

**【6mm Square Dustproof Ceramic Trimmer Potentiometers】**

Production discontinuance Parts No.	Type
EVMEASA00B**	Cermet 6mm Square Dustproof (Radial taping, with Knob Protection)
EVMEAGA00B**	Cermet 6mm Square Dustproof (Bulk, with Knob Protection)
EVMEESA00B**	Cermet 6mm Square Dustproof (Radial taping, with Knob Protection)
EVMEEGA00B**	Cermet 6mm Square Dustproof (Bulk, with Knob Protection)



Recommended substitution Parts No.	Type
EVMAASA00B**	Cermet 6mm Square Dustproof (Radial taping)
EVMAAGA00B**	Cermet 6mm Square Dustproof (Bulk)
EVMAESA00B**	Cermet 6mm Square Dustproof (Radial taping)
EVMAEGA00B**	Cermet 6mm Square Dustproof (Bulk)