

Technical specification :

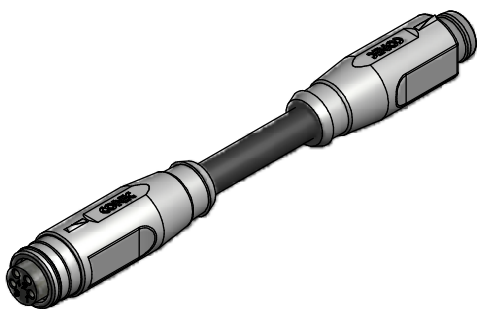
Rated voltage: IEC 61076-2-104	30 V
Current rating: IEC 61076-2-104	3 A at 40°C
Insulation resistance: IEC 60512	>=100 MΩ
Pollution degree: IEC 60664-1	3/2
Degree of protection: IEC 60529	IP 67, in mated condition
Temperature range: IEC 60664-1	-30°C ... +80°C
Mating cycles: IEC 60512-9a	>=100

Materials:

Contact:	CuZn
Contact plating:	Nickel, gold plated
Contact carrier:	TPU GF, UL 94
Moulding body:	TPU, UL 94, grey

Contact assignment:

- 1) brown
- 2) white
- 3) blue
- 4) black



Part no:	Description:	Length L:	Cable:
42-10823	SAL - 8 - RKS4 - RSS4 - 0,3 / K1	0,3m	TPU, UL 20549, black, 4x0,25mm ² Cable: 781-K12400
42-10824	SAL - 8 - RKS4 - RSS4 - 0,6 / K1	0,6m	
42-10825	SAL - 8 - RKS4 - RSS4 - 1,5 / K1	1,5m	
42-10826	SAL - 8 - RKS4 - RSS4 - 3 / K1	3,0m	
42-xxxxx	SAL - 8 - RKS4 - RSS4 - ... / K1	x	

D see data sheet cable

DO NOT ALTER CAD DRAWING BY HAND Directive 2002/95/EC RoHS compliant	Index: a 21.03.11 VF Ä3941 data sheet revised	dim. in mm	title: Connecting cable Ø8, female connector axial - male connector axial									
	tolerance of cable: L ≤ 4m: L + 40mm L > 4m: L + 1%			<table border="1"> <tr> <td></td> <td>date</td> <td>name</td> </tr> <tr> <td>drawn</td> <td>27.10.09</td> <td>Fromm</td> </tr> <tr> <td>appd.</td> <td>27.10.09</td> <td>Mankopf</td> </tr> </table>		date	name	drawn	27.10.09	Fromm	appd.	27.10.09
		date		name								
	drawn	27.10.09		Fromm								
appd.	27.10.09	Mankopf										
THIS DRAWING MAY NOT BE COPIED OR REPRODUCED IN ANY WAY, AND MAY NOT BE PASSED ON TO A THIRD PARTY WITHOUT WRITTEN PERMISSION. OWNERSHIP AND COPYRIGHT OF CONEC GmbH		dwg no: 42K1A171										
		part no: see table										