



Input voltage range up to 72 V DC  
1, 2 or 3 outputs up to 30 V DC  
1500 V DC I/O electric strength test voltage

- Low cost
- Short circuit protection
- Efficiency up to 82%

**Model Selection**

Output 1		Output 2		Output 3		Type	Type	Type
$V_{o\ nom}$	$I_{o\ nom}$	$V_{o\ nom}$	$I_{o\ nom}$	$V_{o\ nom}$	$I_{o\ nom}$	Input voltage	Input voltage	Input voltage
[V DC]	[A]	[V DC]	[A]	[V DC]	[A]	9 - 18 V DC	18 - 36 V DC	36 - 72 V DC
3.3	6.5	-	-	-	-	12 IMR 25-03-2	24 IMR 25-03-2	48 IMR 25-03-2
3.3	10	-	-	-	-	12 IMR 40-03-2	24 IMR 40-03-2	48 IMR 40-03-2
5	5	-	-	-	-	12 IMR 25-05-2	24 IMR 25-05-2	48 IMR 25-05-2
5	8	-	-	-	-	12 IMR 40-05-2	24 IMR 40-05-2	48 IMR 40-05-2
12	2.1	-	-	-	-	12 IMR 25-12-2	24 IMR 25-12-2	48 IMR 25-12-2
12	3.5	-	-	-	-	12 IMR 40-12-2	24 IMR 40-12-2	48 IMR 40-12-2
15	1.7	-	-	-	-	12 IMR 25-15-2	24 IMR 25-15-2	48 IMR 25-15-2
15	3	-	-	-	-	12 IMR 40-15-2	24 IMR 40-15-2	48 IMR 40-15-2
24	2	-	-	-	-	12 IMR 40-24-2	24 IMR 40-24-2	48 IMR 40-24-2
+5	4.7	-5	0.3	-	-	12 IMR 25-0505-2	24 IMR 25-0505-2	48 IMR 25-0505-2
+5	8	-5	0.5	-	-	12 IMR 40-0505-2	24 IMR 40-0505-2	48 IMR 40-0505-2
+12	1.8	-12	0.3	-	-	12 IMR 25-1212-2	24 IMR 25-1212-2	48 IMR 25-1212-2
+12	3	-12	0.5	-	-	12 IMR 40-1212-2	24 IMR 40-1212-2	48 IMR 40-1212-2
+15	1.4	-15	0.3	-	-	12 IMR 25-1515-2	24 IMR 25-1515-2	48 IMR 25-1515-2
+15	2	-15	0.5	-	-	-	24 IMR 40-1515-2	48 IMR 40-1515-2
+5	4	+12	0.3	-12	0.3	12 IMR 25-051212-2	24 IMR 25-051212-2	48 IMR 25-051212-2
+5	6	+12	0.5	-12	0.5	12 IMR 40-051212-2	24 IMR 40-051212-2	48 IMR 40-051212-2
+5	3.5	+15	0.3	-15	0.3	12 IMR 25-051515-2	24 IMR 25-051515-2	48 IMR 25-051515-2
+5	6	+15	0.5	-15	0.5	12 IMR 40-051515-2	24 IMR 40-051515-2	48 IMR 40-051515-2
+5	12	-5	0.5	+12	0.5	-	24 IMR 40-050512-2	48 IMR 40-050512-2

Model numbers highlighted in yellow or shaded are not recommended for new designs.

### Input

Input voltage	continuous range, 12 V	9 - 18 V DC
	continuous range, 24 V	18 - 36 V DC
	continuous range, 48 V	36 - 72 V DC
Reverse voltage protection	shunt diode	

### Output

Output voltage setting accuracy	$V_{i\text{ nom}}, I_{o\text{ nom}}$	$\pm 2\% V_{o\text{ nom}}$
Minimum load	recommended	$20\% I_{o\text{ nom}}$
Line regulation	$V_{i\text{ min}} - V_{i\text{ max}}, I_{o\text{ nom}}$	$\pm 1\% V_{o\text{ nom}}$
Load regulation	$V_{i\text{ nom}}, 0 \dots 100\% I_{o\text{ nom}},$ single output models	$\pm 2\% V_{o\text{ nom}}$
	dual and triple output models (tracking)	$5\% V_{o\text{ nom}}$
Output voltage switching noise	$V_{i\text{ nom}}, 20 - 100 I_{o\text{ nom}},$ peak-peak, total	max. $2\% V_{o\text{ nom}}$

### Control and protection

Overload protection	$V_{i\text{ min}},$ full load	$125\% P_{i\text{ nom}}$
No-load protection		

### Safety and EMC

Electric strength test voltage	I/O	1500 V DC
Electromagnetic interference	conducted with external filter	class B

### Environmental

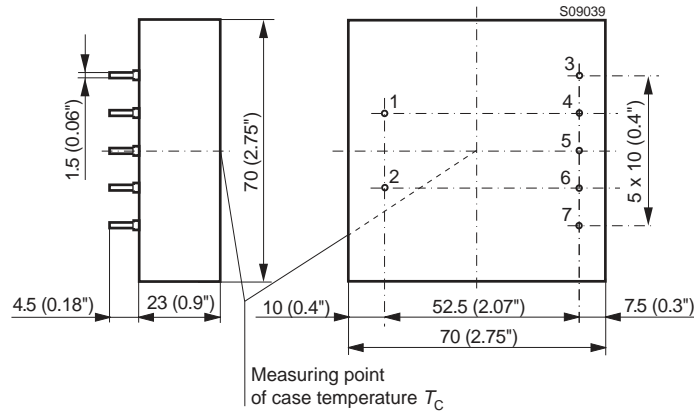
Operating ambient temperature	$V_{i\text{ nom}}, I_{o\text{ nom}}$	$-10$ to $50^\circ\text{C}$
Storage temperature	non operational	$-25$ to $85^\circ\text{C}$
Relative humidity	non condensing	95%
MTBF	MIL-HDBK-217F, N2	2'000'000 h

**Mechanical data**

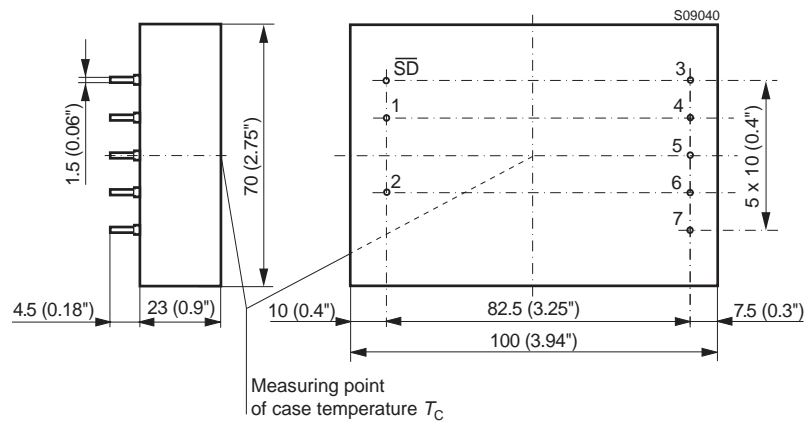
Tolerances  $\pm 0.3$  mm (0.012") unless otherwise indicated.



**IMR 25 single and dual outputs units**



**IMR 25 triple output units and IMR 40**



**Pin allocation**

Pin	Single output	Dual output	Triple output
1	Vi+	Vi+	Vi+
2	Vi-	Vi-	Vi-
3	Vo+	Vo+	Vo1+
4	Vo+	Vo+	COM
5	Vo-	COM	Vo2+
6	Vo-	COM	COM
7	n.c.	Vo-	Vo3-

NUCLEAR AND MEDICAL APPLICATIONS - Power-One products are not authorized for use as critical components in life support systems, equipment used in hazardous environments, or nuclear control systems without the express written consent of the respective divisional president of Power-One, Inc.

TECHNICAL REVISIONS - The appearance of products, including safety agency certifications pictured on labels, may change depending on the date manufactured. Specifications are subject to change without notice.