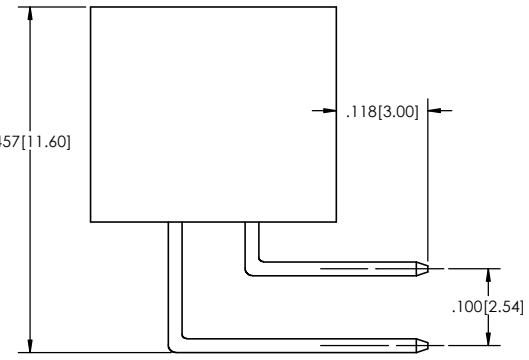
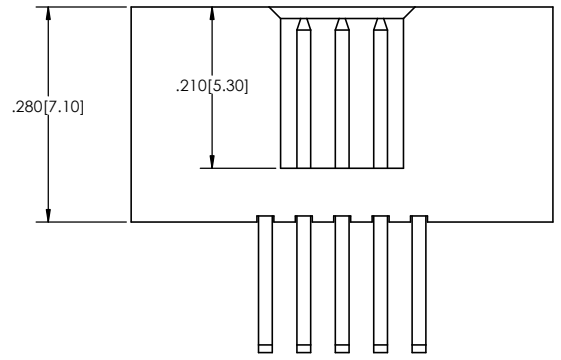
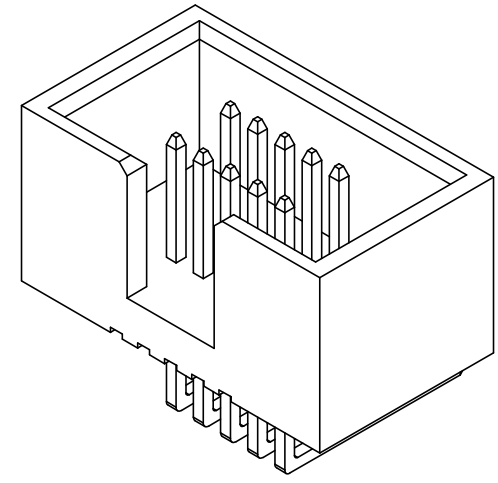
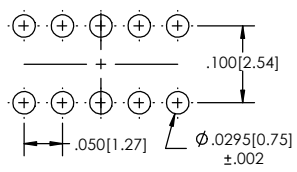


Recommended P.C. Board Layout
SCALE 8:1



SHTSR-6 **XX** - **D** - **02** - **XX** - **XXX** - **LF**
(A) (B) (C) (D) (E) (F)

- A. Pins Per Row
- 5 through 50
- B. Row Specification
- D= Double Row
- C. Style
- 02= Tail Length .126[3.2]
- D. Plating Options
- See Plating Options below
- E. Polarized Position
- Leave blank if not needed
- 010-100
- F. Lead Free

Mates With:
IDS-6

Plating options	
G	10μ Gold on Contact Area/ Flash on Tail
T	Matte Tin all Over
GT	10μ Gold on Contact Area/ Matte Tin on Tail
H	30μ Gold on Contact Area/ Matte Tin on Tail
F	Gold Flash over Entire Pin
FT	Gold Flash on Contact Area/ Matte Tin on Tail

Specifications:
Current Rating: 1.0 Ampere
Insulation Resistance: 1000M Ohms Min.
Dielectric Withstanding: 250V AC for one minute
Contact Resistance: 30M Ohms Max.
Operation Temperature: -40°C to +105°C

Materials:
Contact Material: Phosphor Bronze
Insulator Material: PBT, glass reinforced, rated UL 94V-0

Pins Per Row	A	B	C
05	0.549[13.95]	0.462[11.75]	0.200[5.08]
07	0.649[16.49]	0.563[14.29]	0.300[7.62]
08	0.699[17.76]	0.605[15.36]	0.350[8.89]
10	0.799[20.30]	0.713[18.10]	0.500[12.70]
13	0.949[24.11]	0.863[21.91]	0.600[15.24]
15	1.049[26.65]	0.963[24.45]	0.700[17.78]
17	1.149[29.19]	1.063[26.99]	0.800[20.32]
20	1.299[33.00]	1.213[30.80]	0.950[24.13]
25	1.549[39.35]	1.463[37.15]	1.200[30.48]
30	1.799[45.70]	1.713[43.50]	1.450[36.83]
34	1.999[50.78]	1.913[48.58]	1.650[41.91]
35	2.049[52.05]	1.963[49.85]	1.700[43.18]
40	2.299[58.40]	2.213[56.20]	1.950[49.53]
45	2.549[64.75]	2.463[62.55]	2.200[55.88]
50	2.799[71.10]	2.713[68.90]	2.450[62.23]

Tails may be clipped to achieve specific dimensions.

Products cut to specific sizes are uncancelable/ nonreturnable.
Parts are subject to change without notice.



PROPRIETARY AND CONFIDENTIAL
THE INFORMATION CONTAINED IN THIS DRAWING IS THE SOLE PROPERTY OF Major League Electronics. ANY REPRODUCTION IN PART OR AS A WHOLE WITHOUT THE WRITTEN PERMISSION OF Major League Electronics IS PROHIBITED.

UNLESS OTHERWISE SPECIFIED:		NAME	DATE
DIMENSIONS ARE IN INCHES		EOW	03/19/14
TOLERANCES:		CHECKED	GWE
ONE DECIMALS ±.100		ENG APPR.	
TWO DECIMAL ±.010		MFG APPR.	
THREE DECIMAL ±.005		ADDRESS:	
FOUR DECIMAL ±.002		2533 Centennial Blvd.	
INTERPRET GEOMETRIC TOLERANCING PER:	MATERIAL:	Jeffersonville, IN 47130	
FINISH:	APPLICATION:	Phone: 812-670-4174	
DO NOT SCALE DRAWING		Fax: 812-670-4175	
		E-Mail: mle@mllectronics.com	

TITLE: SHTSR-6 SERIES
SIZE DWG. NO. **C** REV **A**
SCALE 8:1 SHEET 1 OF 1