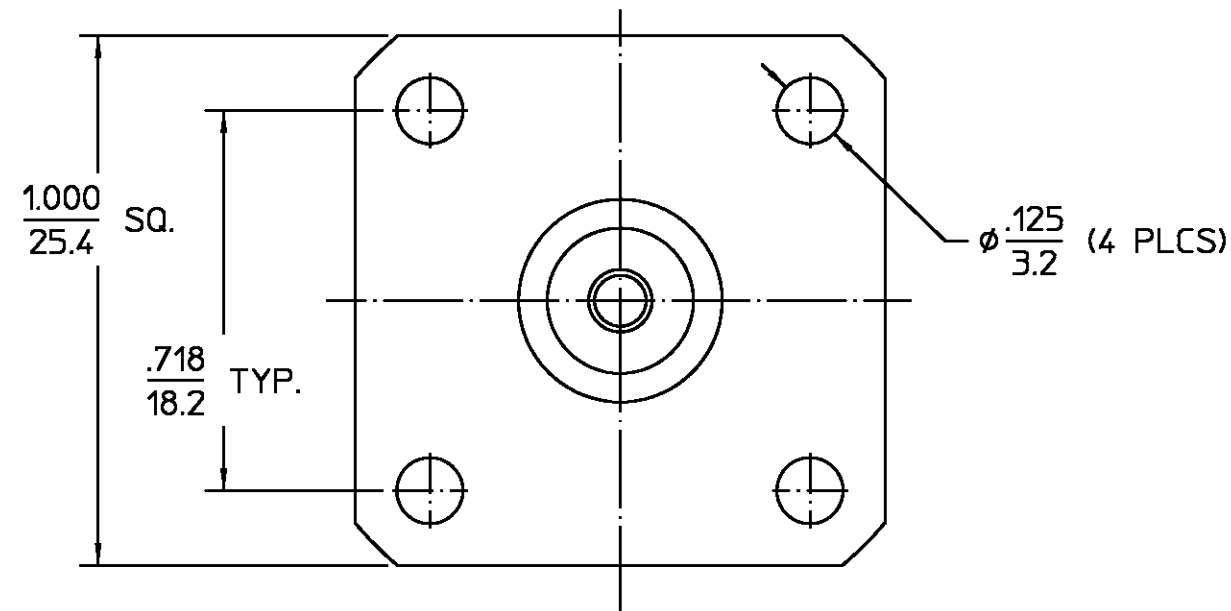


TYPE "N"  
PLUG

REVISIONS			
REV	DESCRIPTION	DATE	APPROVED
01 <sub>1</sub>	REVISED	6/19/96	<i>R.K.</i>
B	PER EC 0U20-0692-00	9/25/01	<i>C. Hoang</i> 9/25/01



.XXX = in  
XX.X = mm REF.

HOUSING	BRASS PER ASTM-B-16, HALF HARD	NICKEL PLATE PER QQ-N-290
COUPLING NUT		
DIELECTRIC	TFE FLUOROCARBON PER ASTM-D-1457	N/A
CENTER CONTACT	BRASS PER ASTM-B-16, HALF HARD	GOLD PLATE PER MIL-G-45204
RETAINING RING	PHOSPHOR BRONZE PER QQ-B-750, GRADE B2	N/A
GASKET	SILICONE RUBBER PER ZZ-R-765	N/A
COMPONENT	MATERIAL	FINISH

UNLESS OTHERWISE SPECIFIED DIMENSIONS ARE IN INCHES		DRAWN BY R.M.K.		DATE 1/26/71		<b>AMP</b> AMP Incorporated 140 Fourth Avenue Waltham, MA 02451-7599	
FRAC. ± 1/64		CHECKED BY P.R.B.		DATE 2/2/71			
DEC. ± .005		APPROVED BY B.W.C.		DATE 2/3/71			
These drawings and specifications are the property of M/A COM Interconnect Div. and shall not be reproduced or copied or used in whole or in part as the basis for the manufacture or sale of item(s) without written permission.		USE ASSY PROCEDURE		TITLE STRAIGHT PANEL PLUG RECEPTACLE			
NO. A.P. <u>N/A</u>		SIZE B	CODE IDENT NO. 26805	3051-0000-10	REV 01 <sub>1</sub>		
		SCALE 4:1			SHEET 1 OF 1		

NOTES:  
1. CAPTURED CENTER CONTACT

CUSTOMER DRAWING

AMP PART # 1057275-1  
SHEET 1 OF 1 REV B