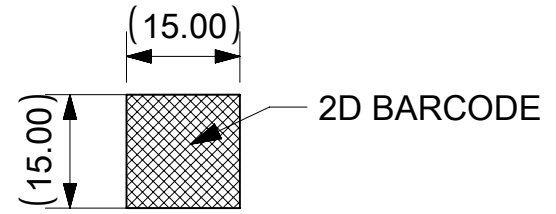


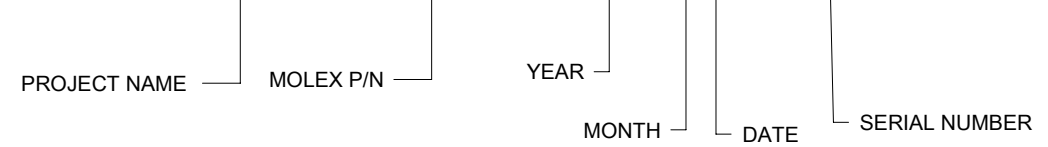
REV	DATE	DESCRIPTION
A	10/28/2022	INITIAL RELEASE



2D BARCODE CONTENT

SIZE:15X15mm

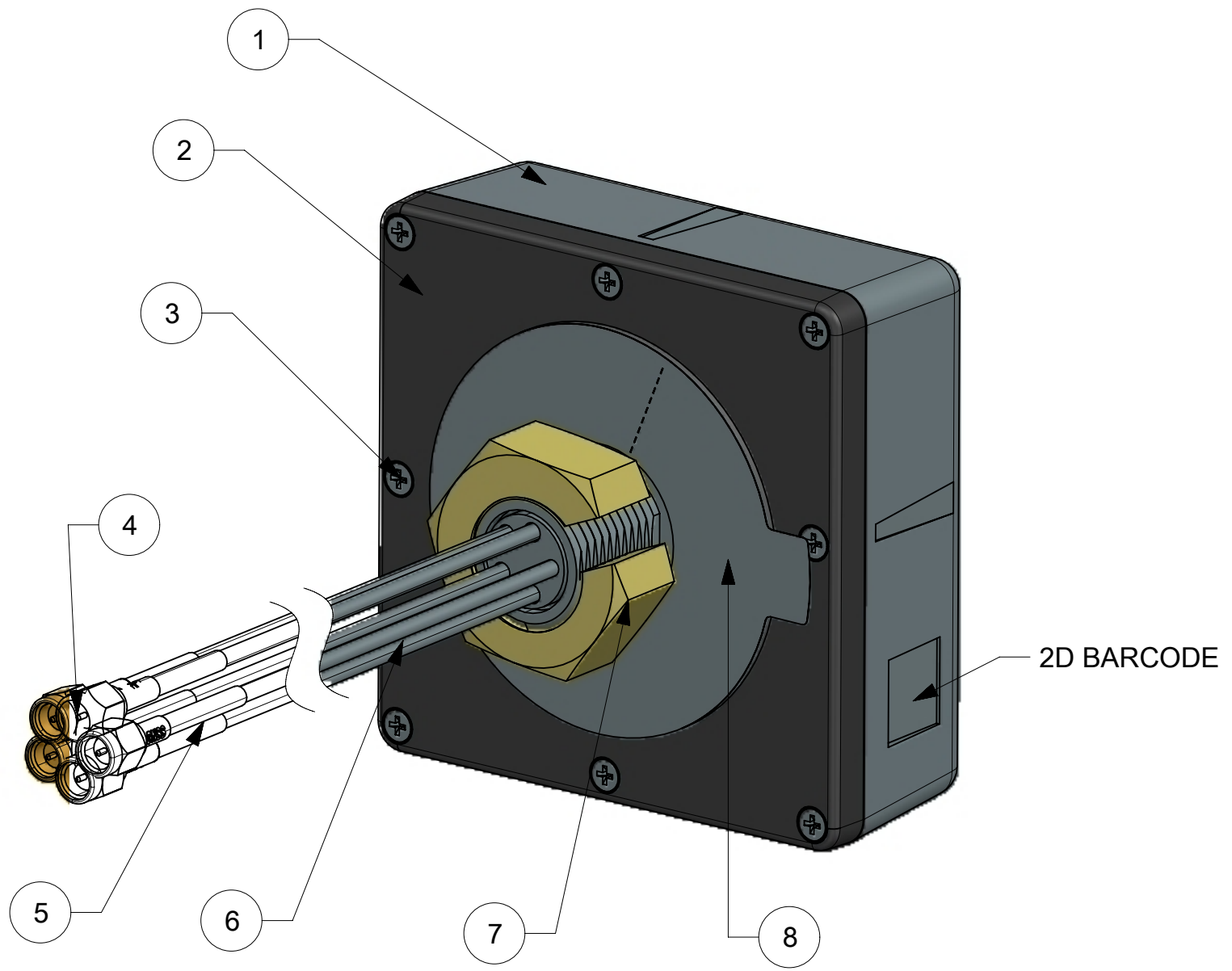
DEFINITION:5IN1 ANTENNA#2205731000#XXXXXXXXXX#XXXX



FOR EXAMPLE:5IN1 ANTENNA#2205731000#20220322#0001

BOM TABLE

ITEM	DESCRIPTION	REMARK	QTY
1	TOP HOUSING	PC/ABS BLACK	1 PCS
2	BOTTOM COVER	PC/ABS BLACK	1 PCS
3	SCREW	METAL	6 PCS
4	CONNECTOR	SMA PLUG MALE GOLDEN PLATING	1 PCS
5	HEAT SHRINK TUBE	BLACK IN COLOR	5 PCS
6	CABLE	RG174 CABLE BLACK JACK	5 PCS
7	NUT	METAL	1 PCS
8	PSA	DOUBLE-SIDE ADHESIVE	1 PCS

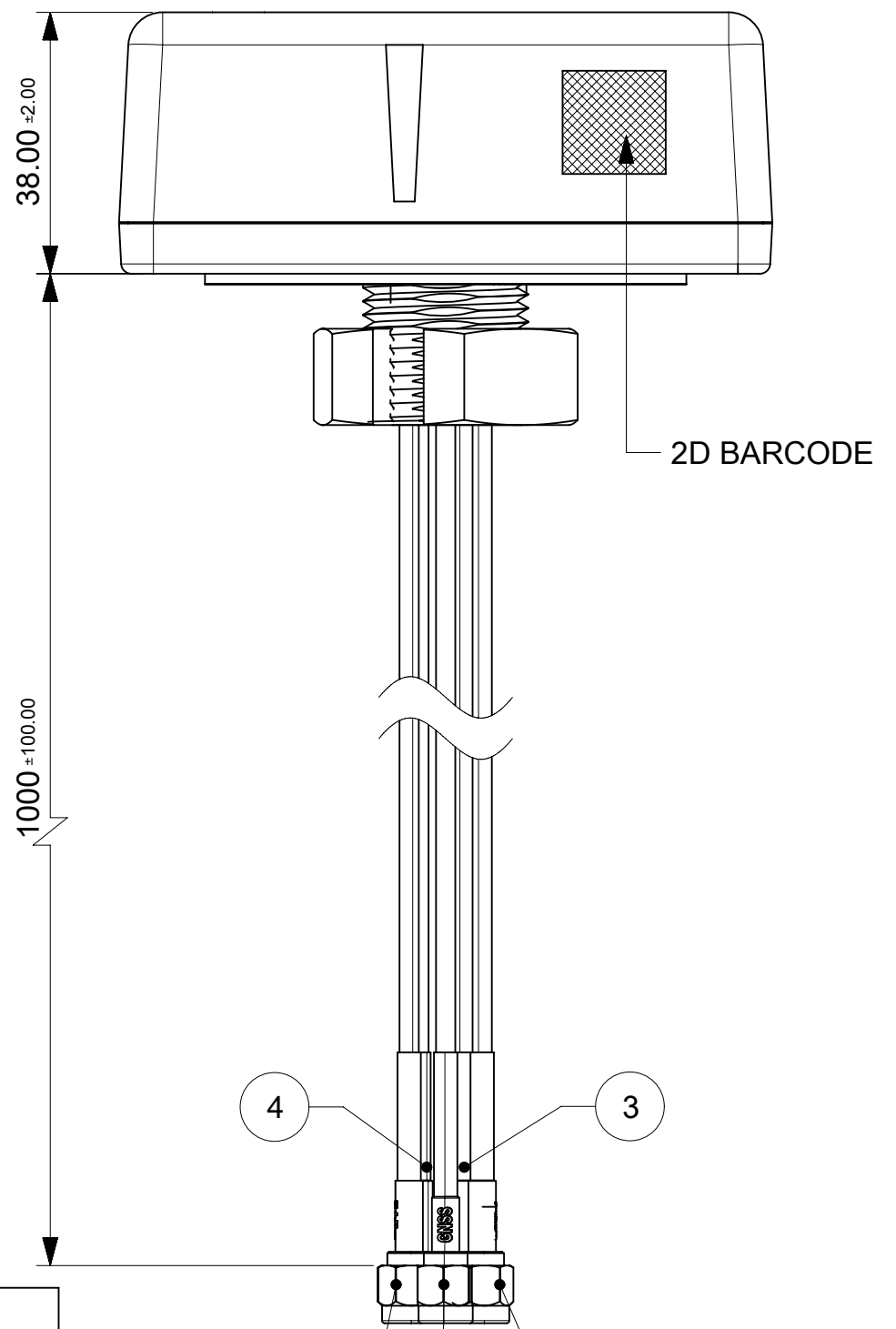


FUNCTIONAL SYMBOLS	THIS DRAWING CONTAINS INFORMATION THAT IS PROPRIETARY TO MOLEX ELECTRONIC TECHNOLOGIES, LLC AND SHOULD NOT BE USED WITHOUT WRITTEN PERMISSION	CURRENT REV DESC:		molex
	DIMENSION UNITS: mm SCALE: 1:1 GENERAL TOLERANCES (UNLESS SPECIFIED): ANGULAR TOL ± 2.0° 4 PLACES ± 0.3 3 PLACES ± 0.5 2 PLACES ± 1.0 1 PLACE ± 2.0 0 PLACES ± 3.0	EC NO: 726397 DRWN: VINCEJ3 2022/10/28 CHK'D: HORACM1 2022/10/28 APPR: HORACM1 2022/10/28		
DIVISIONAL SYMBOLS		INITIAL REVISION:		PRODUCT CUSTOMER DRAWING
		DRWN: VINCEJ3 2022/10/28 APPR: HORACM1 2022/10/28		DOCUMENT NUMBER: 2205731000
	DRAFT WHERE APPLICABLE MUST REMAIN WITHIN DIMENSIONS	THIRD ANGLE PROJECTION	DRAWING: A3-SIZE	SHEET NUMBER: 1 OF 2
		SERIES: 220573	MATERIAL NUMBER: 2205731000	CUSTOMER: GENERAL MARKET

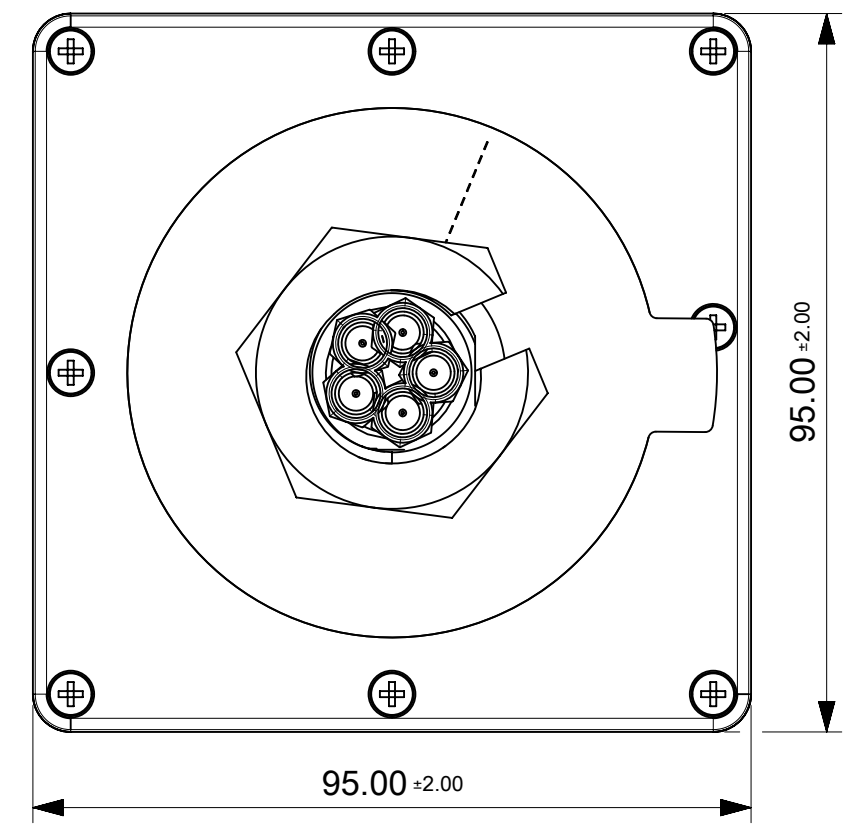
TOP SIDE



SIDE VIEW



BOTTOM SIDE



CABLE INFORMATION		
ITEM	REMARK	PRINT TEXT
1	Ø2.8±0.15	GNSS
2	Ø2.8±0.15	WIF1
3	Ø2.8±0.15	LTE2
4	Ø2.8±0.15	LTE1
5	Ø2.8±0.15	WIF12

FUNCTIONAL SYMBOLS FA = 0 FE = 0 FE = 0	THIS DRAWING CONTAINS INFORMATION THAT IS PROPRIETARY TO MOLEX ELECTRONIC TECHNOLOGIES, LLC AND SHOULD NOT BE USED WITHOUT WRITTEN PERMISSION		CURRENT REV DESC:		molex
	DIMENSION UNITS	SCALE	EC NO: 726397		
	mm	1:1	DRWN: VINCEJ3 2022/10/28		BOTTOM FEED 5 IN 1 ANTENNA PRO
	GENERAL TOLERANCES (UNLESS SPECIFIED)		CHK'D: HORACM1 2022/10/28		
	ANGULAR TOL ± 2.0°		APPR: HORACM1 2022/10/28		PRODUCT CUSTOMER DRAWING
	4 PLACES ± 0.3		INITIAL REVISION:		
	3 PLACES ± 0.5		DRWN: VINCEJ3 2022/10/28		DOCUMENT NUMBER 2205731000
	2 PLACES ± 1.0		APPR: HORACM1 2022/10/28		
	1 PLACE ± 2.0		MATERIAL NUMBER 2205731000		DOC TYPE PSD
	0 PLACES ± 3.0		CUSTOMER GENERAL MARKET		
DIVISIONAL SYMBOLS	DRAFT WHERE APPLICABLE MUST REMAIN WITHIN DIMENSIONS		THIRD ANGLE PROJECTION	DRAWING A3-SIZE	SERIES 220573
					SHEET NUMBER 2 OF 2