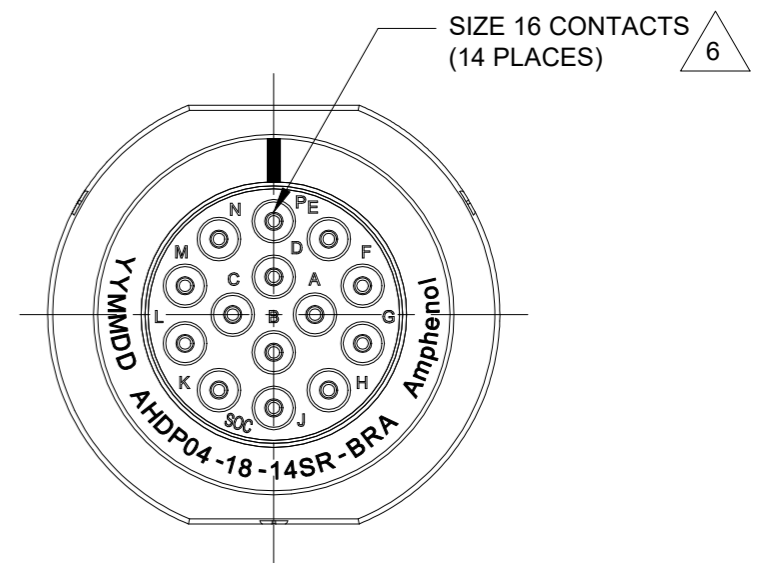
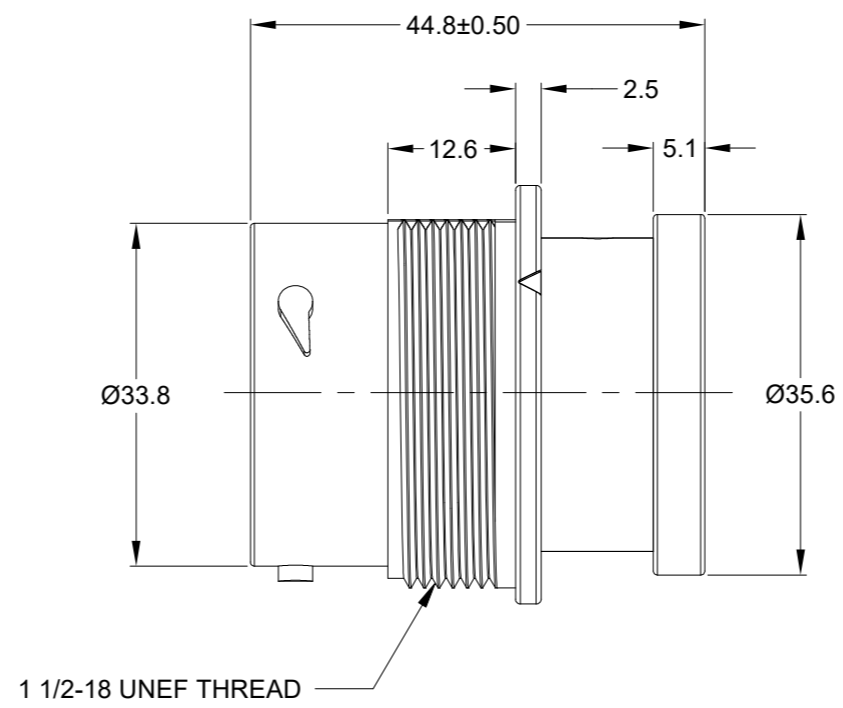
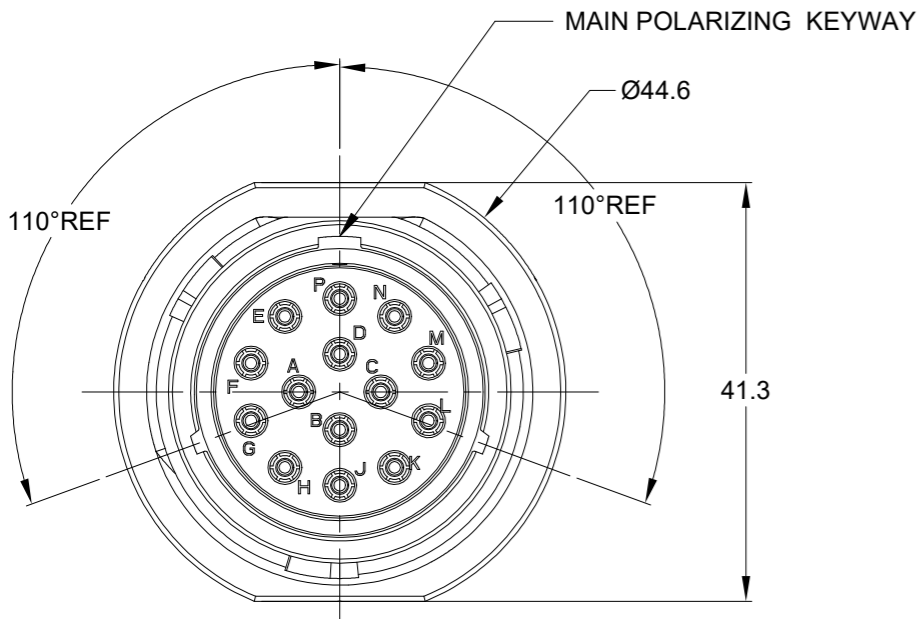


| REVISIONS | | | | | |
|-----------|-----|---------------------|-----------|------|-------|
| REV | ECO | DESCRIPTION | DATE | BY | APPR |
| A1 | - | RELEASE NEW DRAWING | 29/MAR/22 | MILO | TOMMY |

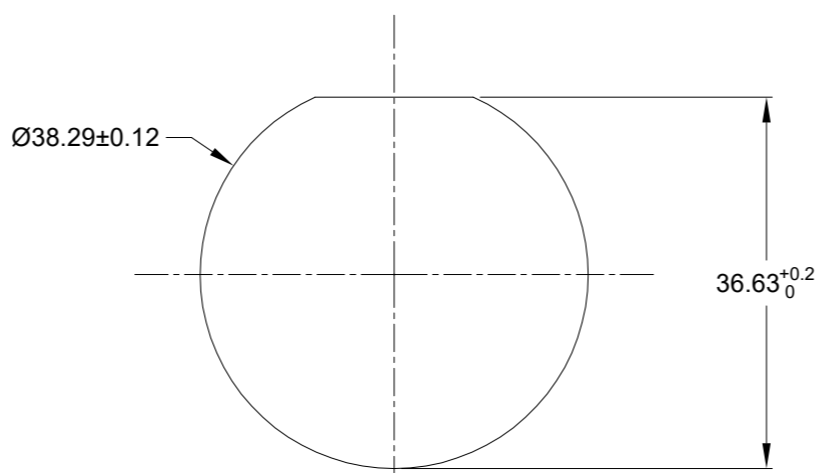


NOTES: UNLESS OTHERWISE SPECIFIED

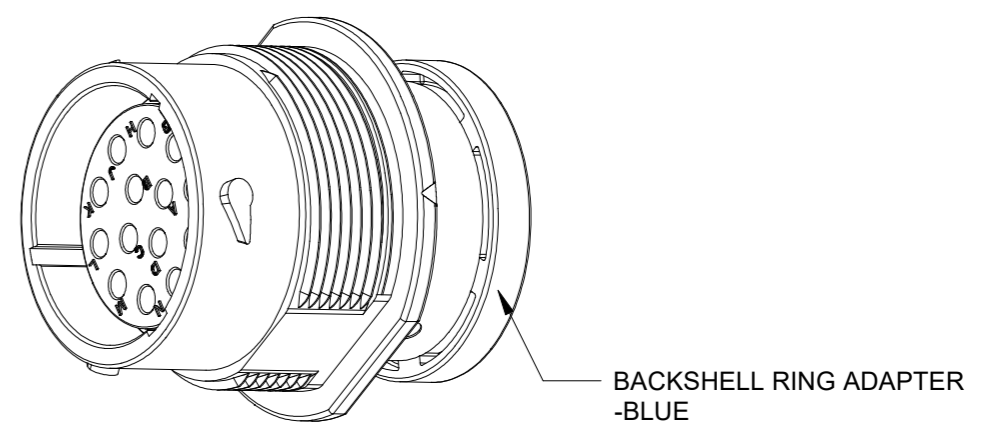
- MATERIAL:
HOUSING: THERMOPLASTIC; BLACK
SEAL: SILICONE RUBBER
- MODIFICATIONS: BACKSHELL RING ADAPTER (BRA);
REDUCED DIA. WIRE SEAL
- SPECIFICATIONS:
3.1 OPERATING TEMPERATURE: -55°C TO +125°C.
3.2 DIELECTRIC WITHSTANDING VOLTAGE: LESS THAN 2 MILLIAMPS CURRENT LEAKAGE @ 1500 VOLTS AC.
3.3 INSULATION RESISTANCE: 1000 MEGOHM MIN @ 25°C.
3.4 MOISTURE RESISTANCE:
IP68(IM OF WATER FOR A PERIOD OF 24 HOURS, MATED CONDITION);
IP69K(MATED CONDITION).
3.5 MATING CYCLE DURABILITY: 100 CYCLES
3.6 RoHS COMPLIANT
- MATING PART: AHDP06-18-14P* (* = SEAL TYPE)
- ALL DIMENSIONS ARE FOR REFERENCE USE ONLY.

△ CONTACT SIZE AND WIRE RANGE:

| CONTACT SIZE | MIN. INSUL O.D. | MAX. INSUL O.D. | TYPICAL WIRE RANGE | CURRENT RATING |
|--------------|------------------|-------------------|-------------------------------------|----------------|
| 16 | 1.35 mm (.053in) | 3.05 mm (.120 in) | 14-20 AWG (2.0-0.5mm ²) | 13 AMPS |



RECOMMENDED PANEL MOUNTING HOLE
RECOMMENDED PANEL THICKNESS: 1.6 TO 4.7MM



| | | | |
|----------|--------------------|-------------|-------------------------|
| QUANTITY | AHDPO4-18-14SR-BRA | DESCRIPTION | REF: HDP24-18-14SE-L017 |
| | PART NUMBER | | ITEM |

| MATERIALS LIST | | | |
|---|--|-------------------------------------|--|
| UNLESS OTHERWISE SPECIFIED | SIGNATURES | DATE | |
| 1) All dimensions are in metric(mm). 2) Tolerances are as follows: 1 PL DEC ±0.30 2 PL DEC ±0.15 3 PL DEC ±0.08 | DRAWN: MILO CHECKED: SULLEN ENGINEER: APPROVAL: TOMMY | 29/MAR/22 30/MAR/22 31/MAR/22 | Sine Systems - www.amphenol-sine.com 44724 Morley Drive Clinton Township, MI 48036 |
| 3) Note reference = △ | CUSTOMER: | | |
| MATERIAL SPECIFICATIONS: WEIGHT: 41.9g | THIS DRAWING IS SUPPLIED FOR INFORMATION ONLY. DESIGN FEATURES, SPECIFICATIONS AND PERFORMANCE DATA SHOWN HEREON ARE THE PROPERTY OF THE AMPHENOL CORPORATION. NO RIGHTS OF REPRODUCTION ARE IMPLIED. ALL DIMENSIONS ARE SUBJECT TO NORMAL MANUFACTURING VARIATIONS. | | |
| PROCESS SPECIFICATIONS: | SIZE | TYPE | DWG NO. |
| NEXT ASSY: | B | C- | AHDPO4-18-14SR-BRA |
| | SCALE: NONE | DURAMATE | REVISION A1 |
| | SHEET 1 | OF 1 | |

TITLE: 14POS, RECEPTACLE SOCKET, SIZE 18, RD SEAL, BRA, DURAMATE AHDP
DWG NO: AHDPO4-18-14SR-BRA
REV: A1
SH: 1
OF: 1