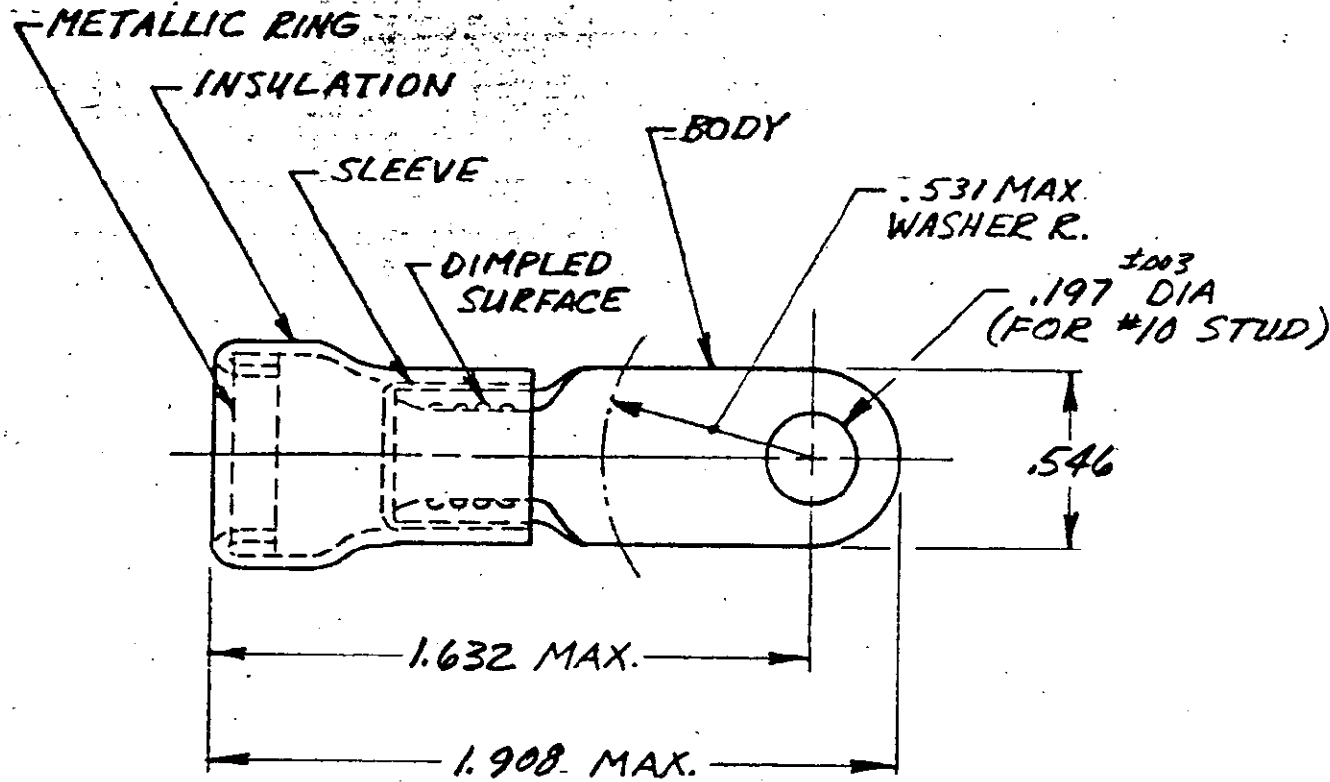


© COPYRIGHT 1953 BY AMP INCORPORATED, HARRISBURG, PA.
 ALL INTERNATIONAL RIGHTS RESERVED. AMP INCORPORATED PRODUCTS
 COVERED BY U. S. AND FOREIGN PATENTS AND/OR PATENTS PENDING.

REVISIONS						
P	F	ZONE	LTR	DESCRIPTION	DATE	APPROVED
✓	✓		B	REDRAWN & REV. PER EN P-7000	10/1/78	JTW
✓	✓		C	REV G-4680	5-6-88	JT
			D	OBS 1-1 PER 0720-0939-96	5/96	DKS DMS



FOR .436 MAX. WIRE INS. DIA.
 TONGUE MATERIAL THK. = .048 ± .003

1	WIRE TERMINAL	322052 OBSOLETE	BODY: COPPER (90-C-576) TIN PL (MIL-T-10727) INSULATION: PVC COLOR: METALLIC RING: STEEL (90-S-898) CASTING: A108 SLEEVE: COPPER (90-C-576)	322052
QTY.	DESCRIPTION	PART No ON TAPE	MATERIALS & FINISH	PART NO
UNLESS OTHERWISE SPECIFIED DIMENSIONS ARE IN INCHES. TOLERANCES ON: DECIMALS ± .008 ANGLES ± 5°		CONTRACT NO	AMP INCORPORATED Harrisburg, Pa.	
MATERIAL SEE TABLE		DR R.E. Brown 10/23/78 CHK JTW 10/24/78		
FINISH SEE TABLE		DSGN APPD J.H. Bynshaw 10/24/78 OTHER APPD	SIZE B	CODE IDENT NO 00779
			DRAWING NO 322052	SHEET 1 OF 1
			SCALE N.T.S.	