

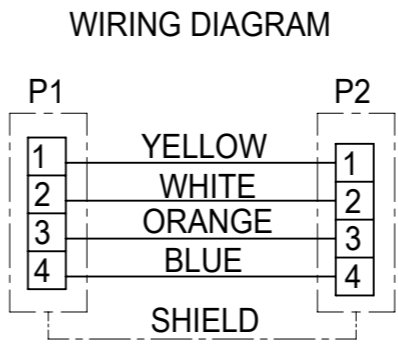
ADDITIONAL CABLE PARAMETERS

| PHYSICAL CHARACTERISTICS: | |
|---------------------------|--|
| CONDUCTOR PAIR SIZE | #22 (7 X #30) BARE COPPER ALLOY |
| WIRE CROSS SECTION | 0.34mm ² (NOM.) |
| INSULATION TYPE | POLYOLEFIN INSULATION |
| FOIL SHIELD | PLASTIC/ALUMINIUM FOIL WITH FOIL OUT |
| BRAID SHIELD | TINNED COPPER BRAID WITH MIN. 85% COVERAGE |
| OUTSIDE DIAMETER | Ø 6.8mm (.267") |
| JACKET INSULATION | GREEN PUR |
| PROFINET CABLE STYLE | TYPE C |

| ENVIRONMENTAL CHARACTERISTICS: | |
|--------------------------------|---------------|
| FLAME RESISTANCE | FT2 |
| AGENCY CERTIFICATIONS | UL AND CSA |
| OPERATION TEMPERATURE | -20°C TO 60°C |
| STORAGE TEMPERATURE | -40°C TO 80°C |
| HALOGEN FREE | IEC 60754-1 |
| SILICONE FREE | YES |
| CFC-FREE | YES |

| MECHANICAL CHARACTERISTICS FOR C-TRACK APPLICATIONS: | |
|--|-------------------|
| MIN. BENDING RADIUS | 15xCABLE DIAMETER |
| OPERATING WAY | 5M OF TRAVEL |

IMPRINT: E172949 AWM STYLE 20549 AWM
 I A/B 80°C 300V FT2 - 9YH(ST)C11Y INDUSTRIAL ETHERNET PROFINET
 TYPE C 2x2x22AWG/7 - RoHS "week/year"



NOTES:

- 1) MATERIAL: SEE TABLE
- 2) FINISHES: SEE TABLE
- 3) CABLE: #22/4 SHIELDED PUR
- 4) ELECTRICAL DATA:
 ACCORDING TO CAT5e ETHERNET STANDARD
 VOLTAGE RATING : 250V
 AMPERAGE RATING : 4A
 INSULATION RESISTANCE : 10⁹Ω MIN.
 MATING CYCLES : MIN. 100
- 5) ENVIRONMENTAL :
 PROTECTION : IP67 IN MATED AND LOCKED POSITION
 OPERATING TEMPERATURE : -25°C TO +85°C
- 6) WRAP LABEL IS MARKED WITH P/N, DATE CODE, VOLTAGE & AMPERAGE.
- 7) ASSEMBLY IS RoHS COMPLIANT.

BOM: (2 QTY ID CARRIER APPLICABLE, IF ENGINEERING No. HAS "H" {SEE TABLE2})

| ITEM | QTY. | DESCRIPTION | MATERIAL | FINISH/COLOR |
|------|------|------------------|--------------|--------------|
| 7 | 2 | ID CARRIER | PVC | TRANSPARENT |
| 6 | 1 | LABEL 50x69.8 | VINYL | WHITE |
| 5 | 2 | INSERT | PUR | BLACK |
| 4 | 8 | PIN CONTACT | COPPER ALLOY | GOLD PLATED |
| 3 | 2 | M12 COUPLING NUT | BRASS | Ni-PLATED |
| 2 | - | OVERMOLD | PUR | BLACK |
| 1 | 1 | CABLE | PUR JACKET | GREEN |

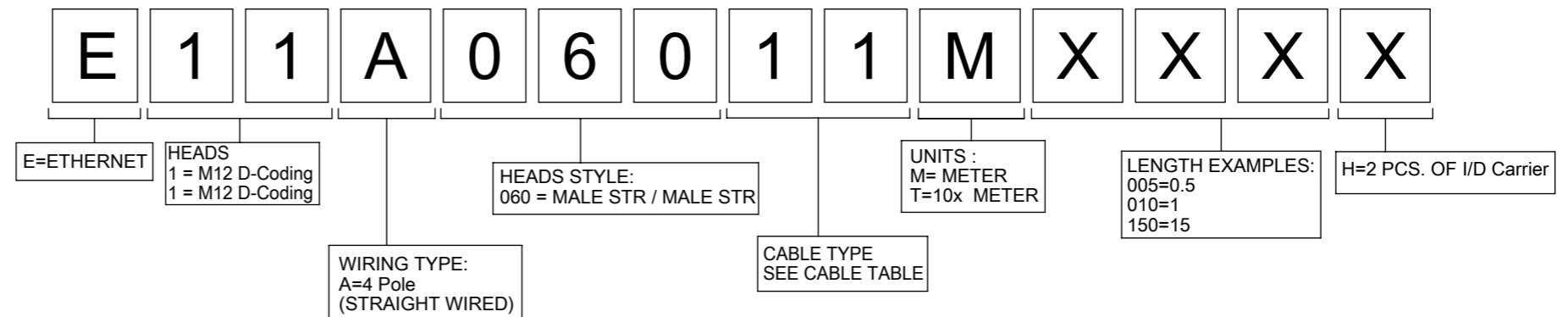
| | | | | | | | | |
|--|---|--|---------------------------|--------------------------|---------------|----------------------------------|---|----------------------------|
| FUNCTIONAL SYMBOLS √A = 0 √E = 0 √V = 0 | THIS DRAWING CONTAINS INFORMATION THAT IS PROPRIETARY TO MOLEX ELECTRONIC TECHNOLOGIES, LLC AND SHOULD NOT BE USED WITHOUT WRITTEN PERMISSION | SCALE INCH/MM 1:1 | CURRENT REV DESC: | | | molex | | |
| | GENERAL TOLERANCES (UNLESS SPECIFIED) | EC NO: 672185 | | | | | | |
| | ANGULAR TOL ± 0.5° | 4 PLACES ± | DRWN: SSM 2021/06/28 | PRODUCT CUSTOMER DRAWING | | | | |
| | 3 PLACES ± | 2 PLACES ± 0.13 | CHK'D: RSILLER 2021/09/20 | | | | DOCUMENT NUMBER SD-120108-041 | |
| DIVISIONAL SYMBOLS | 1 PLACE ± 0.25 | APPR: RSILLER 2021/09/20 | DOC TYPE PSD | DOC PART 001 | REVISION G | | | |
| 0 PLACES ± | DRAFT WHERE APPLICABLE MUST REMAIN WITHIN DIMENSIONS | INITIAL REVISION: DRWN: BRUPERT 2011/11/23 APPR: JFMURPHY 2012/04/17 | SHEET NUMBER 1 OF 2 | SERIES A3-SIZE 120108 | | MATERIAL NUMBER SEE PART LIST | | CUSTOMER GENERAL MARKET |

PART LIST

| MOLEX PN | ENGINEERING NO | L+TOL. [mm] |
|------------|----------------|-------------|
| 1201080236 | E11A06011M010 | 1000 |
| 1201080199 | E11A06011M020 | 2000 |
| 1201080237 | E11A06011M030 | 3000 |
| 1201080213 | E11A06011M040 | 4000 |
| 1201080238 | E11A06011M050 | 5000 |
| 1201080239 | E11A06011M060 | 6000 |
| 1201080240 | E11A06011M070 | 7000 |
| 1201080241 | E11A06011M080 | 8000 |
| 1201080242 | E11A06011M090 | 9000 |
| 1201080243 | E11A06011M100 | 10000 |
| 1201080244 | E11A06011M120 | 12000 |
| 1201080245 | E11A06011M140 | 14000 |
| 1201080246 | E11A06011M150 | 15000 |
| 1201080247 | E11A06011M180 | 18000 |
| 1201080248 | E11A06011M200 | 20000 |
| 1201080249 | E11A06011M240 | 24000 |
| 1201088256 | E11A06011M250 | 25000 |
| 1201080250 | E11A06011M300 | 30000 |
| 1201088257 | E11A06011M350 | 35000 |
| 1201080281 | E11A06011M400 | 40000 |
| 1201080251 | E11A06011M500 | 50000 |
| 1201080282 | E11A06011M600 | 60000 |
| 1201080283 | E11A06011M700 | 70000 |
| 1201080287 | E11A06011M750 | 75000 |
| 1201080284 | E11A06011M800 | 80000 |
| 1201080288 | E11A06011M900 | 90000 |
| 1201088201 | E11A06011T100 | 100000 |

| MOLEX PN | ENGINEERING NO | L+TOL. [mm] |
|-----------------|----------------|-------------|
| WITH ID CARRIER | | |
| 1201088267 | E11A06011M010H | 1000 |
| 1201089062 | E11A06011M020H | 2000 |
| 1201089063 | E11A06011M030H | 3000 |
| 1201089064 | E11A06011M045H | 4500 |
| 1201088268 | E11A06011M050H | 5000 |
| 1201089065 | E11A06011M060H | 6000 |
| 1201089066 | E11A06011M080H | 8000 |
| 1201088269 | E11A06011M100H | 10000 |
| 1201089067 | E11A06011M120H | 12000 |
| 1201089068 | E11A06011M130H | 13000 |
| 1201088270 | E11A06011M150H | 15000 |
| 1201089069 | E11A06011M200H | 20000 |
| 1201088271 | E11A06011M300H | 30000 |
| 1201088282 | E11A06011M400H | 40000 |
| 1201088283 | E11A06011M600H | 60000 |
| 1201088284 | E11A06011M700H | 70000 |
| 1201088285 | E11A06011M900H | 90000 |

PART No MATRIX



CABLE LENGTH TOLERANCES

| LENGTH | TOLERANCE |
|------------|------------|
| 0 m-1 m | +40 mm |
| >1 m-5 m | +60 mm |
| >5 m-10 m | +80 mm |
| >10 m-20 m | +140 mm |
| >20 m-30 m | +160 mm |
| >30 m | +1% length |

| | | | | |
|--|---|----------------------------------|----------------------------|---|
| FUNCTIONAL SYMBOLS ∇/A = 0 ∇/E = 0 ∇/V = 0 | THIS DRAWING CONTAINS INFORMATION THAT IS PROPRIETARY TO MOLEX ELECTRONIC TECHNOLOGIES, LLC AND SHOULD NOT BE USED WITHOUT WRITTEN PERMISSION | CURRENT REV DESC: | | molex |
| | DIMENSION UNITS INCH/MM | SCALE 1:1 | EC NO: 672185 | |
| DIVISIONAL SYMBOLS | GENERAL TOLERANCES (UNLESS SPECIFIED) | 4 PLACES ± | 2021/06/28 | PRODUCT CUSTOMER DRAWING |
| | ANGULAR TOL ± 0.5° | 3 PLACES ± | 2021/09/20 | |
| | 2 PLACES ± 0.13 | 2 PLACES ± 0.13 | 2021/09/20 | DOCUMENT NUMBER SD-120108-041 |
| | 1 PLACE ± 0.25 | 1 PLACE ± 0.25 | 2011/11/23 | DOC TYPE PSD |
| | 0 PLACES ± | 0 PLACES ± | 2012/04/17 | DOC PART 001 |
| DRAFT WHERE APPLICABLE MUST REMAIN WITHIN DIMENSIONS | THIRD ANGLE PROJECTION | DRAWING A3-SIZE | SERIES 120108 | REVISION G |
| | | MATERIAL NUMBER SEE PART LIST | CUSTOMER GENERAL MARKET | SHEET NUMBER 2 OF 2 |