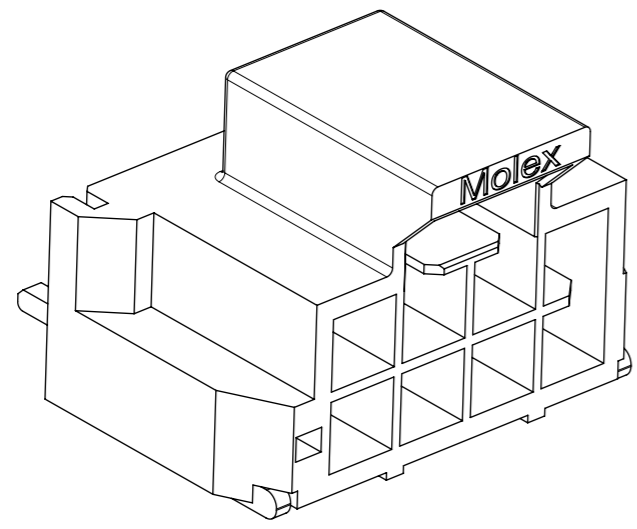
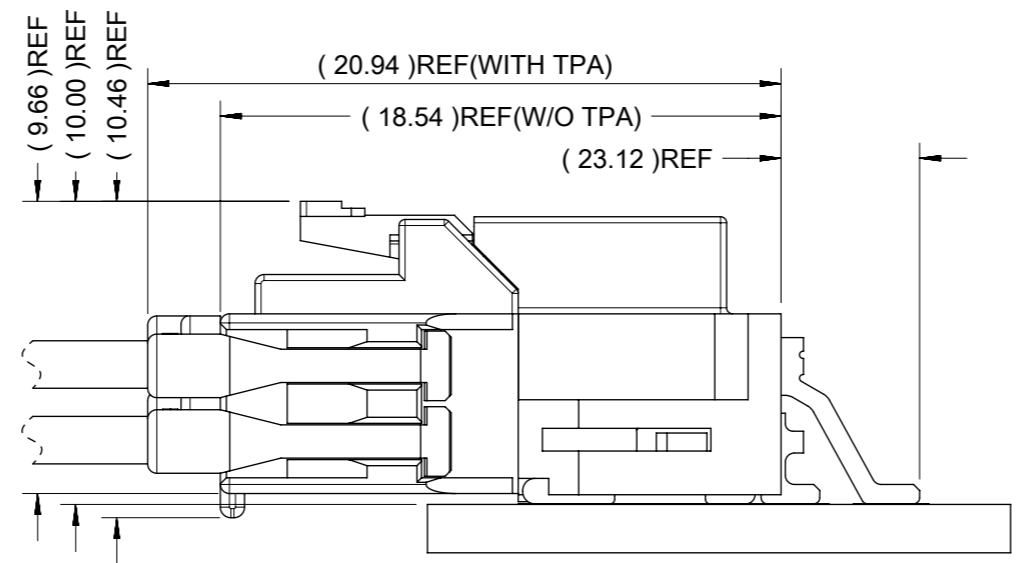


RECOMMENDED PCB LAYOUT (CONNECTOR SIDE VIEW)
THICKNESS=1.6mm MIN. TOLERANCE: ±0.05



THIS DRAWING CONTAINS INFORMATION THAT IS PROPRIETARY TO MOLEX ELECTRONIC TECHNOLOGIES, LLC AND SHOULD NOT BE USED WITHOUT WRITTEN PERMISSION									
EC NO: 625587 DRWN: GLLI CHK'D: YXZHENG APPR: YXZHENG	2019/10/14	GENERAL TOLERANCES (UNLESS SPECIFIED)		DIMENSION UNITS	SCALE				
	2019/10/15	ANGULAR TOL ± 3.0 °		mm	5:1				
	2019/10/15	4 PLACES	±	DRWN BY	DATE	SD DRAWING FOR NANO-FIT SMT HEADER POWER CONNECTOR			
		3 PLACES	±	GLLI	2019/10/14				
		2 PLACES	± 0.2	CHK'D BY	DATE	PRODUCT CUSTOMER DRAWING			
	1 PLACE	± 0.3	YXZHENG	2019/10/15					
	0 PLACES	±	APPR BY	DATE	SERIES	MATERIAL NUMBER	CUSTOMER		
			YXZHENG	2019/10/15	105405	SEE CHART IN SHEET 2	GENERAL MARKET		
			DRAFT WHERE APPLICABLE MUST REMAIN WITHIN DIMENSIONS		DRAWING SIZE	THIRD ANGLE PROJECTION			
					A3				
						DOCUMENT NUMBER	DOC TYPE	DOC PART	SHEET NUMBER
						1054059000-SD	PSD	000	1 OF 3

	9	8	7	6	5	4	3	2	1
	PART NUMBER	DIM. A	DIM. B	DIM. C	DIM. D	CKT SIZE	PLATING	LUBE	
E	105405-9104	8.74	3.82	2.50	7.04	4	TIN		
	105405-9106	11.24	5.07	5.00	9.54	6			
	105405-9108	13.74	6.32	7.50	12.04	8			
	105405-9110	16.24	7.57	10.00	14.54	10			
	105405-9112	18.74	8.82	12.50	17.04	12			
	105405-9114	21.24	10.07	15.00	19.54	14			
	105405-9116	23.74	11.32	17.50	22.04	16			
	105405-9204	8.74	3.82	2.50	7.04	4			
	105405-9206	11.24	5.07	5.00	9.54	6			
	105405-9208	13.74	6.32	7.50	12.04	8			
	105405-9210	16.24	7.57	10.00	14.54	10			
	105405-9212	18.74	8.82	12.50	17.04	12			
	105405-9214	21.24	10.07	15.00	19.54	14			
	105405-9216	23.74	11.32	17.50	22.04	16			
D	105405-9304	8.74	3.82	2.50	7.04	4	GOLD 0.76		
	105405-9306	11.24	5.07	5.00	9.54	6			
	105405-9308	13.74	6.32	7.50	12.04	8			
	105405-9310	16.24	7.57	10.00	14.54	10			
	105405-9312	18.74	8.82	12.50	17.04	12			
	105405-9314	21.24	10.07	15.00	19.54	14			
	105405-9316	23.74	11.32	17.50	22.04	16			
	105405-9404	8.74	3.82	2.50	7.04	4			
	105405-9406	11.24	5.07	5.00	9.54	6			
	105405-9408	13.74	6.32	7.50	12.04	8			
	105405-9410	16.24	7.57	10.00	14.54	10			
	105405-9412	18.74	8.82	12.50	17.04	12			
	105405-9414	21.24	10.07	15.00	19.54	14			
C	105405-9416	23.74	11.32	17.50	22.04	16	GOLD 0.76	YES	
COLOR: BLACK									



PART NUMBER	PACKING DRAWING
105405-XX04	PK-105405-001
105405-XX06	PK-105405-002
105405-XX08	PK-105405-003
105405-XX10	
105405-XX12	PK-105405-004
105405-XX14	
105405-XX16	
105405-XX16	

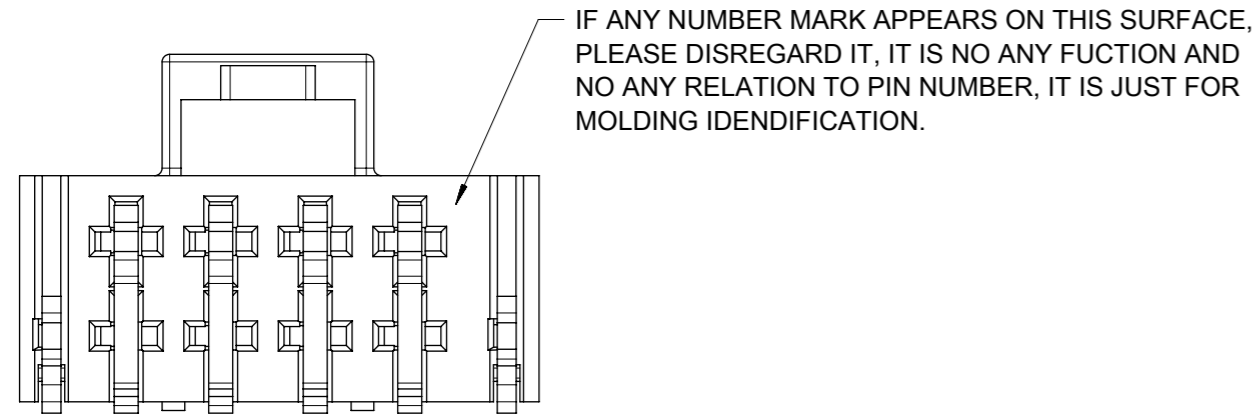
	9	8	7	6	5	4	3	2	1
	PART NUMBER	DIM. A	DIM. B	DIM. C	DIM. D	CKT SIZE	PLATING	LUBE	
	105405-9504	8.74	3.82	2.50	7.04	4	TIN		
	105405-9506	11.24	5.07	5.00	9.54	6			
	105405-9508	13.74	6.32	7.50	12.04	8			
	105405-9510	16.24	7.57	10.00	14.54	10			
	105405-9512	18.74	8.82	12.50	17.04	12			
	105405-9514	21.24	10.07	15.00	19.54	14			
	105405-9516	23.74	11.32	17.50	22.04	16			
	105405-9604	8.74	3.82	2.50	7.04	4			
	105405-9606	11.24	5.07	5.00	9.54	6			
	105405-9608	13.74	6.32	7.50	12.04	8			
	105405-9610	16.24	7.57	10.00	14.54	10			
	105405-9612	18.74	8.82	12.50	17.04	12			
	105405-9614	21.24	10.07	15.00	19.54	14			
	105405-9616	23.74	11.32	17.50	22.04	16			
	105405-9704	8.74	3.82	2.50	7.04	4			
	105405-9706	11.24	5.07	5.00	9.54	6			
	105405-9708	13.74	6.32	7.50	12.04	8			
	105405-9710	16.24	7.57	10.00	14.54	10			
	105405-9712	18.74	8.82	12.50	17.04	12			
	105405-9714	21.24	10.07	15.00	19.54	14			
	105405-9716	23.74	11.32	17.50	22.04	16			
	105405-9804	8.74	3.82	2.50	7.04	4			
	105405-9806	11.24	5.07	5.00	9.54	6			
	105405-9808	13.74	6.32	7.50	12.04	8			
	105405-9810	16.24	7.57	10.00	14.54	10			
	105405-9812	18.74	8.82	12.50	17.04	12			
	105405-9814	21.24	10.07	15.00	19.54	14			
	105405-9816	23.74	11.32	17.50	22.04	16			
COLOR: NATURAL									

NOTES FOR ALL PARTS

1> MATERIAL:
HOUSING: LCP. UL 94V-0.
TERMINAL: BRASS.
SOLDER CLIP: BRASS.

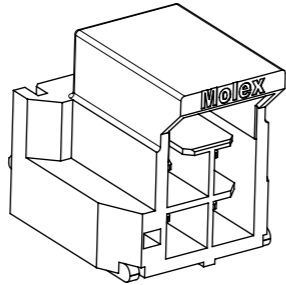
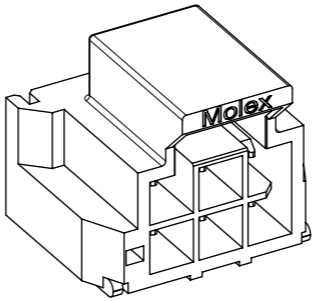
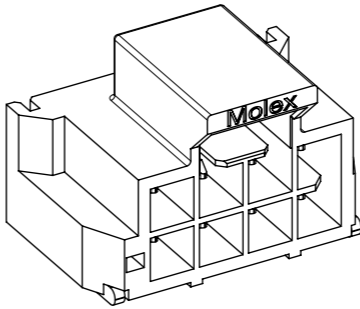
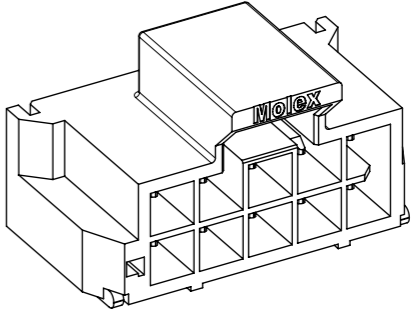
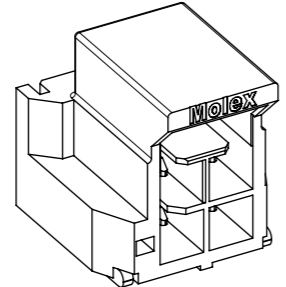
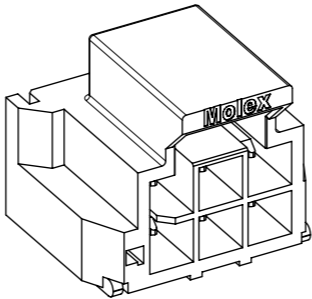
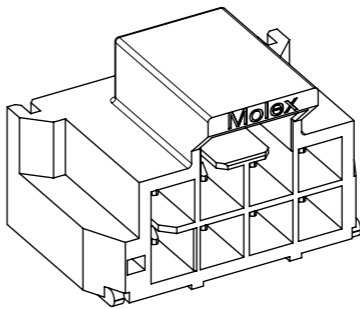
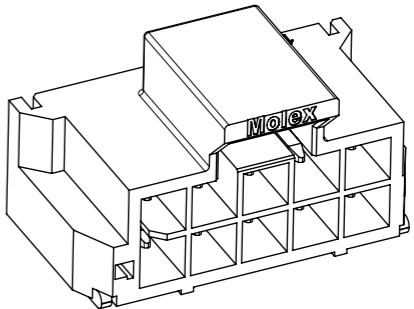
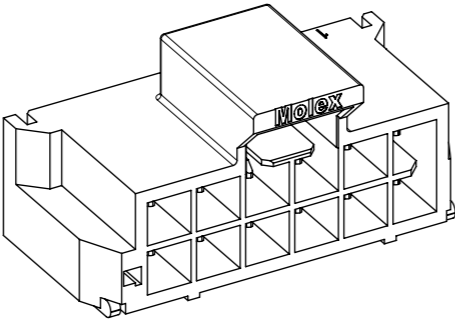
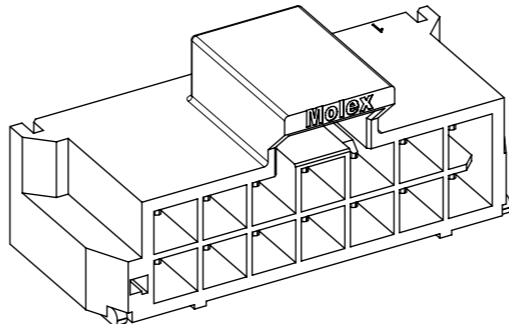
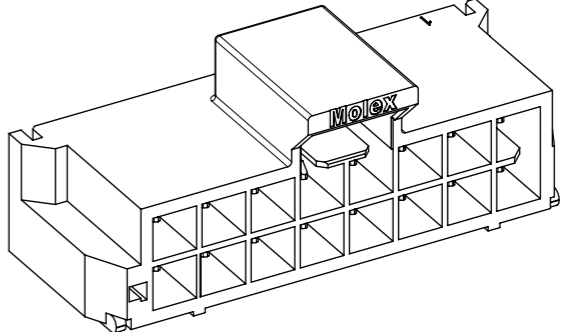
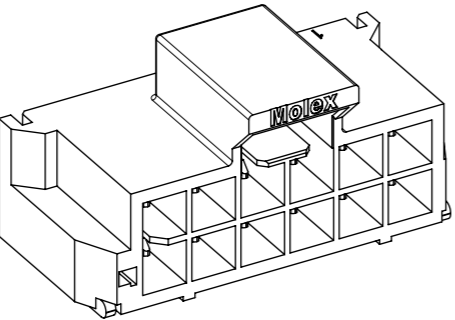
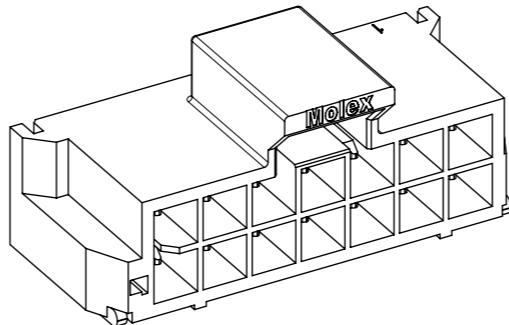
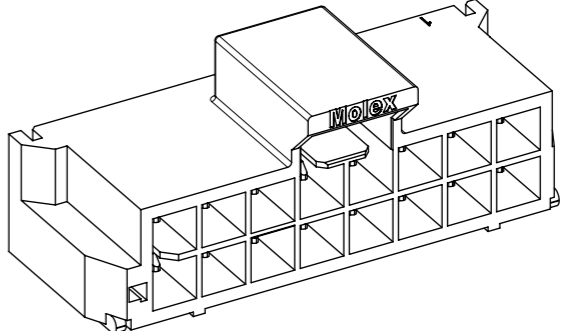
2> PLATING FINISHED:
TERMINAL:
CONTACT AREA:
a. REFLOWED MATTE TIN 0.76 MICRONS MIN; b. GOLD 0.38 MICRONS MIN; c. GOLD 0.76 MICRONS MIN.
SOLDER AREA: TIN 0.76 MICRONS MINIMUM.
UNDER PLATING NICKEL 1.25 MICRONS MINIMUM.
SOLDER CLIP: TIN 2.5 MICRONS MINIMUM; UNDER PLATING NICKEL 1.25 MICRONS MINIMUM.

3> PRODUCT SPECIFICATION: PS-105405-001.
4> PACKAGE: REEL, OTHER INFORMATION REFER TO CHAT.
5> ALL COMPONENTS AND PRODUCT COMPLIANT TO RoHS DIRECTIVE 2011/65/EU AND ELV DIRECTIVE 2000/53/EC.
6> PRODUCT MATE WITH SERIES OF 105308(RECEPTACLE), 105300(CRIMP TERMINAL).
7> PARTS CONFORM TO CLASS 'B' REQUIREMENTS OF COSMETIC SPECIFICATION PS-45499-002.


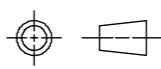


THIS DRAWING CONTAINS INFORMATION THAT IS PROPRIETARY TO MOLEX ELECTRONIC TECHNOLOGIES, LLC AND SHOULD NOT BE USED WITHOUT WRITTEN PERMISSION

EC NO: 625587 DRWN: GLLI CHK'D: YXZHENG APPR: YXZHENG	2019/10/14	GENERAL TOLERANCES (UNLESS SPECIFIED) ANGULAR TOL ± 3.0 °	DIMENSION UNITS	SCALE			
	2019/10/15		mm	5:1			
	2019/10/15	4 PLACES ±	DRWN BY	DATE		SD DRAWING FOR NANO-FIT SMT HEADER POWER CONNECTOR	
		3 PLACES ±	GLLI	2019/10/14			
		2 PLACES ± 0.2	CHK'D BY	DATE		PRODUCT CUSTOMER DRAWING	
	1 PLACE ± 0.3	APPR BY	DATE				
	0 PLACES ±	YXZHENG	2019/10/15				
	DRAFT WHERE APPLICABLE MUST REMAIN WITHIN DIMENSIONS	DRAWING SIZE	THIRD ANGLE PROJECTION	SERIES	MATERIAL NUMBER	CUSTOMER	
		A3		105405	SEE CHART	GENERAL MARKET	
				DOCUMENT NUMBER	DOC TYPE	DOC PART	SHEET NUMBER
				1054059000-SD	PSD	000	2 OF 3

		4 CKT	6 CKT	8 CKT	10 CKT
E	BLACK				
D	NATURAL				
		12 CKT	14 CKT	16 CKT	
C	BLACK				
B	NATURAL				

THIS DRAWING CONTAINS INFORMATION THAT IS PROPRIETARY TO MOLEX ELECTRONIC TECHNOLOGIES, LLC AND SHOULD NOT BE USED WITHOUT WRITTEN PERMISSION

2019/10/14 2019/10/15 2019/10/15	GENERAL TOLERANCES (UNLESS SPECIFIED)		DIMENSION UNITS	SCALE	
	ANGULAR TOL ± 3.0 °		mm	3:1	
	4 PLACES ±		DRWN BY	DATE	
	3 PLACES ±		GLLI	2019/10/14	
EC NO: 625587 DRWN: GLLI CHK'D: YXZHENG APPR: YXZHENG	2 PLACES ± 0.2		CHK'D BY	DATE	SD DRAWING FOR NANO-FIT SMT HEADER POWER CONNECTOR
	1 PLACE ± 0.3		APPR BY	DATE	
	0 PLACES ±		YXZHENG	2019/10/15	
	DRAFT WHERE APPLICABLE MUST REMAIN WITHIN DIMENSIONS		DRAWING SIZE	THIRD ANGLE PROJECTION	
A	REV		A3		PRODUCT CUSTOMER DRAWING SERIES: 105405 MATERIAL NUMBER: SEE CHART IN SHEET 2 CUSTOMER: GENERAL MARKET
RELEASE STATUS: P1		RELEASE DATE: 2019/10/15	06:04:48	DOCUMENT NUMBER: 1054059000-SD DOC TYPE: PSD DOC PART: 000 SHEET NUMBER: 3 OF 3	