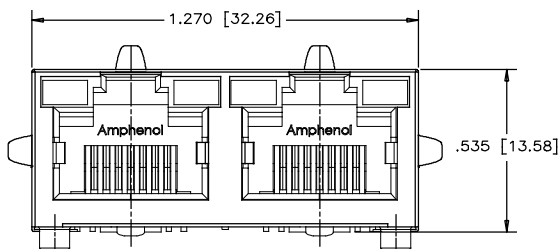
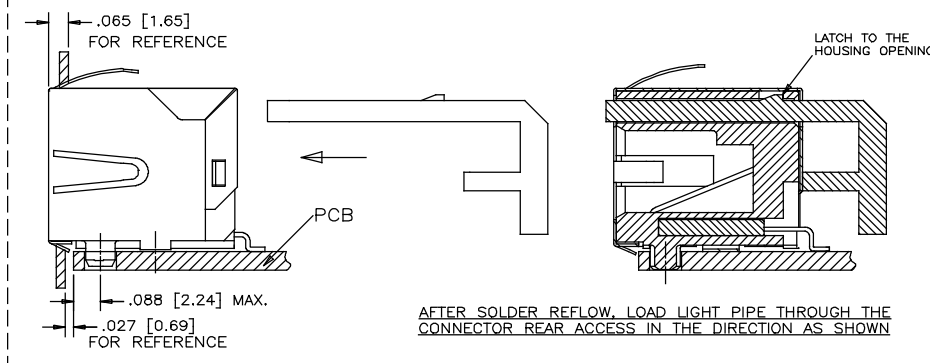


TOP VIEW

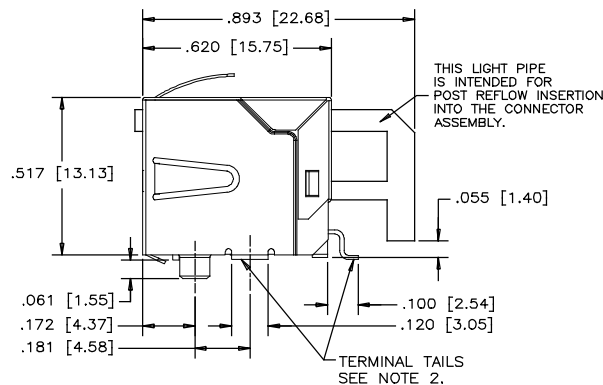


FRONT VIEW

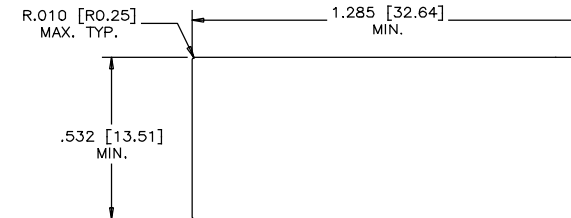


AFTER SOLDER REFLOW, LOAD LIGHT PIPE THROUGH THE CONNECTOR REAR ACCESS IN THE DIRECTION AS SHOWN

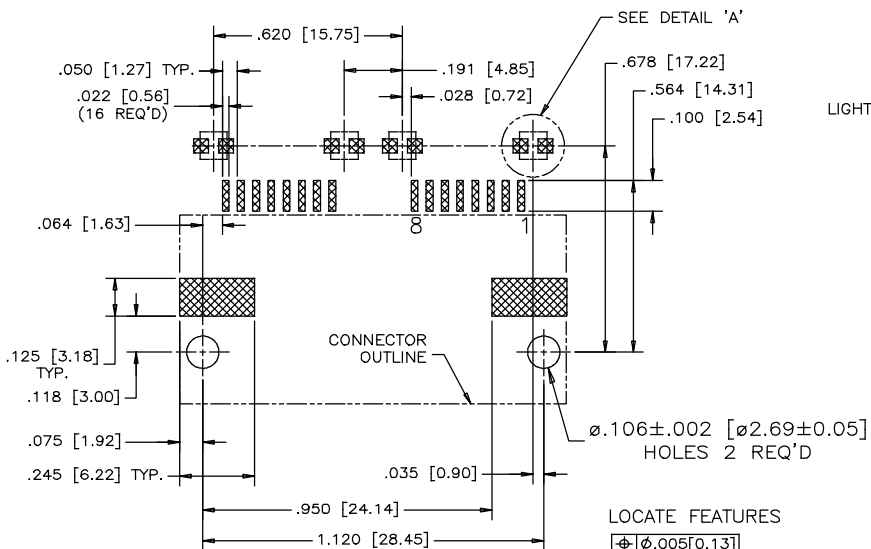
REVISIONS			
REV	DESCRIPTION, ECN, EAR NO.	DATE	APP'D
D	UPDATED DRAWING	MAR12/15	L.CHAN
E	FIX ERROR OF PLATING SPEC	AUG12/15	L.CHAN
F	CORRECT DIMENSION	JAN18/16	L.CHAN
G	CHANGE DRAWING FORMATE	MAY11/16	L.CHAN



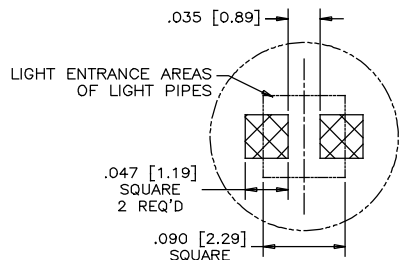
SIDE VIEW



RECOMMENDED PANEL CUTOUT



RECOMMENDED P.C.B. LAYOUT
(COMPONENT SIDE OF BOARD)



DETAIL 'A'
(ENLARGED)
SMT LED SOLDER PAD
(SMT LED TO BE PROVIDED
BY THE CUSTOMER)

1. MATERIALS:

HOUSING: ENGINEERING THERMOPLASTIC FLAMMABILITY RATING UL 94V-0 COLOR: BLACK

CONTACTS: PHOSPHOR BRONZE
PLATING: 20 μ" [0.5 MICRONS] MIN. GOLD ON MATING SURFACES. 50 μ" [1.27 MICRONS] MIN. NICKEL UNDERPLATE. 100 μ" [2.54 MICRONS] MIN. MATTE TIN ON CONTACT TAILS.

SHIELD: COPPER ALLOY PLATED TIN ALLOY

LIGHT PIPE: CLEAR POLYCARBONATE RATED UL 94V-0.

2. COPLANARITY SPECIFICATION:
WITH THE MODULAR JACK SITTING ON A LEVEL SURFACE, THE MAXIMUM GAP BETWEEN THE LEVEL SURFACE OF SHIELD TAB AND ALL TERMINAL TAILS IS .004 [0.10].

AMPHENOL PART NUMBER: RJSSE-5381-02

LOCATE FEATURES

⊕ ⌀.005 [0.13]

POSITION DIMENSIONS ARE BASIC

UNLESS SPECIFIED OTHERWISE	DRAWN	J.OU	OCT18/07
	CHECKED	MT.CHAN	OCT18/07
PRIMARY UNITS INCH	M.E. APP'D		
SECONDARY UNITS MILLIMETER	Q.A. APP'D		
REFERENCE IN PARENTHESES	DWG APP'D		
1 DECIMAL PLACE ±0.025	ENG. REL. NO.		
2 DECIMAL PLACE ±0.020	REF.		
3 DECIMAL PLACE ±0.015			
ANGULAR DEGREES ±1°	THIRD ANGLE PROJECTION	DO NOT SCALE DRAWING	

Amphenol Canada Corp. www.amphenolcanada.com	
2 PORT, SURFACE MOUNT, RJ45 ,MODULAR JACK, 8 POSITION, 8 CONTACTS,SHIELDED, LIGHT PIPES -ROHS COMPLIANT	
DWG NO.	P-RJSSE-5381-02
CODE ID NO. 03554	DWG SIZE: C SCALE: N/A SHEET 1 OF 1