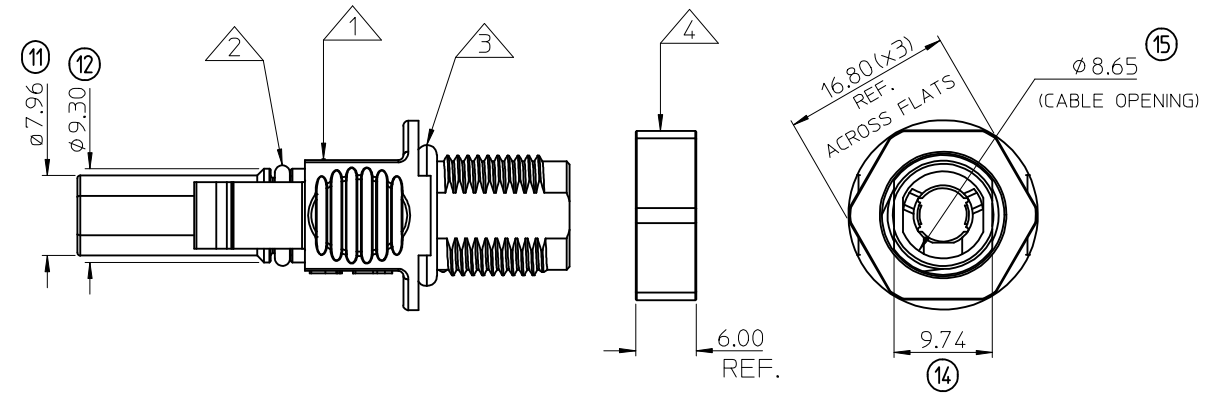


CONTACT USED: SEE SD-93303-001



- NOTES:
1. MATERIALS: SEE CHART
 2. FINISHES: SEE CHART
 3. PRODUCT SPECIFICATION: PS-93301-001
 4. PACKAGING SPECIFICATION: PK-93301-001
 5. MATES WITH: 130244-1202/1204
 6. ASSEMBLY IS ROHS COMPLIANT
 7. ASSEMBLY IS DELIVERED WITH PANEL NUT LOOSE IN BAG.
 8. FOR DUSTCAPS PLEASE REFER TO SD-93301-009

LAST INSPECTION No:17
INSPECTION No'S REMOVED: 5 9 13

ITEM QTY	DESCRIPTION	MATERIAL	FINISH
4 1	PANEL NUT	POLYCARBONATE(PC)	BLACK
3 1	O-RING PANEL SEAL	SILICONE	DARK GREY
2 1	O-RING SEAL	SILICONE	DARK GREY
1 1	SOCKET HOUSING	POLYCARBONATE(PC)	BLACK

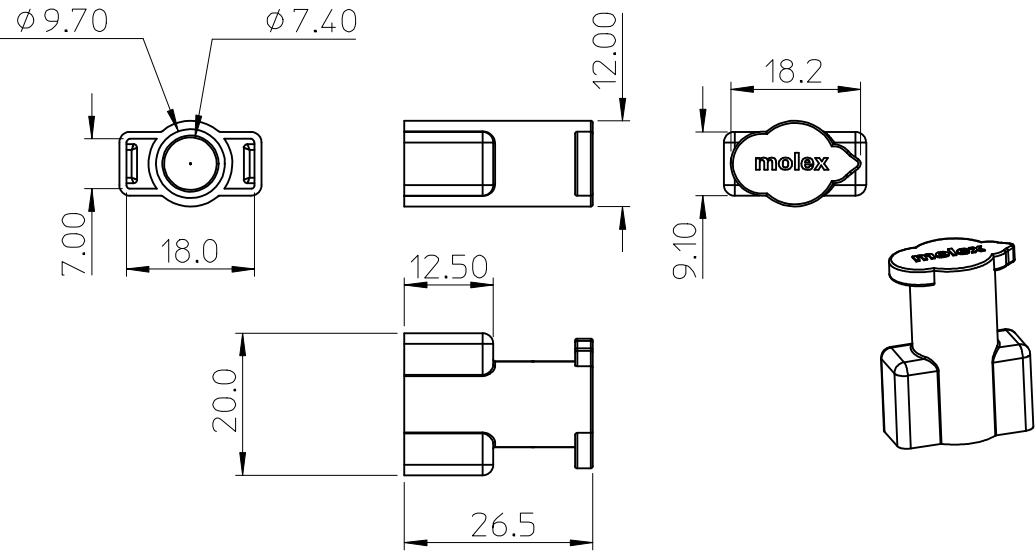
F.P.I.R. MODS	DESCRIPTION
EC NO: IPG2012-0274	
DRW:DBYRNES 2011/09/20	
CHKD:SMCGREEVY 2012/11/29	
APPR:STURIFFIN 2013/03/05	
A	REV

QUALITY SYMBOLS	GENERAL TOLERANCES (UNLESS SPECIFIED)
▽=0	mm INCH
∇=0	4 PLACES ± --- ± ---
	3 PLACES ± --- ± ---
	2 PLACES ± 0.15 ± ---
	1 PLACE ± 0.25 ± ---
	ANGULAR ± 2 °
	DRAFT WHERE APPLICABLE MUST REMAIN WITHIN DIMENSIONS

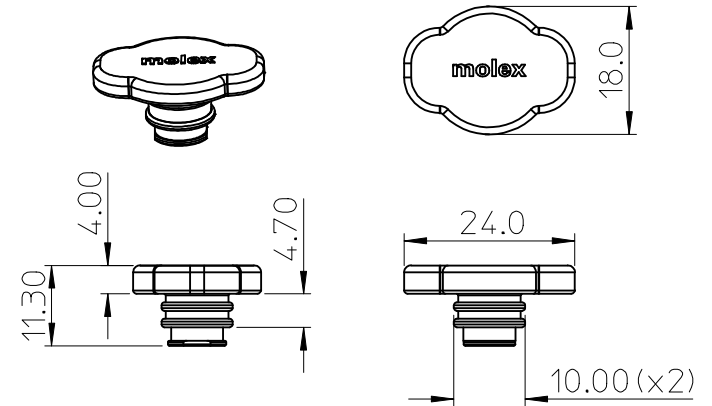
DIMENSION STYLE		SCALE	DESIGN UNITS	THIRD ANGLE PROJECTION
MM ONLY		2:1	METRIC	☉ □
DRAWN BY	DATE	TITLE		
DBYRNES	2011/06/22	SOLARSPEC PANEL MOUNT DC SOCKET ASSY CONNECTOR		
CHECKED BY	DATE	14 - 10 AWG		
SMCGREEVY	2011/08/16	MOLEX INCORPORATED		
APPROVED BY	DATE	DOCUMENT NO.		
EFOLAN	2011/08/26	SD-93301-002		
MATERIAL NO.		SHEET NO.		
933010101		1 OF 1		

DRAWN BY		DATE	TITLE	
DBYRNES		2011/06/22	SOLARSPEC PANEL MOUNT DC SOCKET ASSY CONNECTOR	
CHECKED BY		DATE	14 - 10 AWG	
SMCGREEVY		2011/08/16	MOLEX INCORPORATED	
APPROVED BY		DATE	DOCUMENT NO.	
EFOLAN		2011/08/26	SD-93301-002	
MATERIAL NO.		SHEET NO.		
933010101		1 OF 1		

93301-9001



93301-9002



NOTE'S

1. MATERIAL - SILICONE NE-7150
2. PARTS MUST BE RoHS COMPLIANT.
3. SUITABLE FOR USE WITH MOLEX SERIES 93301 & 130244 SOLARSPEC CONNECTORS.
4. PACKAGING SPECIFICATION: SEE CHART.

PART No.	DESCRIPTION	PKG SPEC
93301-9001	FEMALE SOCKET DUST CAP.	PK-93301-011
93301-9002	MALE PIN DUSTCAP.	PK-93301-012

ORIGINAL RELEASE EC NO: IPG2013-0910 DRWN:DBYRNES 2012/09/18 CHKD:CKNOWLES 2012/12/14 APPR:STGRIFFIN 2012/12/14	DESCRIPTION A	QUALITY SYMBOLS	GENERAL TOLERANCES (UNLESS SPECIFIED)	DIMENSION STYLE MM ONLY	SCALE 1:1	DESIGN UNITS METRIC	THIRD ANGLE PROJECTION
		▽=0 ◻=0	mm INCH 4 PLACES ± --- ± --- 3 PLACES ± --- ± --- 2 PLACES ± 0.25 ± --- 1 PLACE ± 0.38 ± --- 0 PLACE ± --- ± ---	DRAWN BY DATE DBYRNES 2012/09/18 CHECKED BY DATE CKNOWLES 2012/12/14 APPROVED BY DATE STGRIFFIN 2012/12/14	TITLE	93301 SERIES SOLARSPEC DUSTCAPS	
		ANGULAR ± 2 °	MATERIAL NO.	DOCUMENT NO.		SHEET NO.	
		DRAFT WHERE APPLICABLE MUST REMAIN WITHIN DIMENSIONS	SEE CHART	SD-93301-009		1 OF 1	
		THIS DRAWING CONTAINS INFORMATION THAT IS PROPRIETARY TO MOLEX INCORPORATED AND SHOULD NOT BE USED WITHOUT WRITTEN PERMISSION					