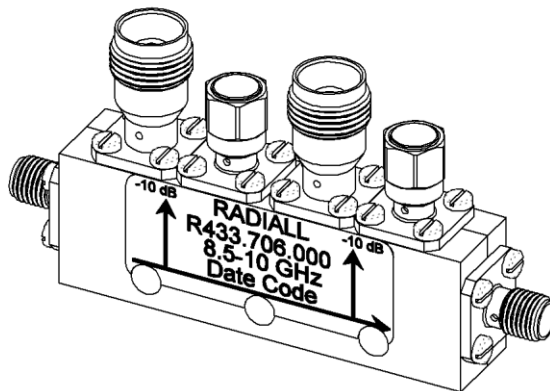
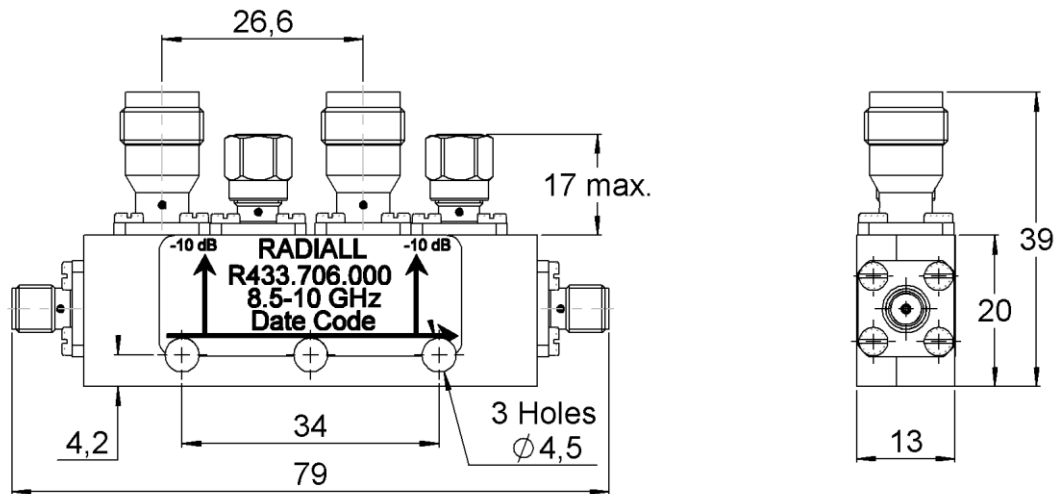


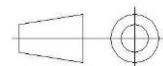
PAGE 1/2	ISSUE 09-12-19A	SERIES COUPLER	PART NUMBER <b>R433706000</b>
----------	-----------------	-------------------	-------------------------------

Scale 1 : 1



All dimensions are in mm. Tolerances according ISO 2768 m-H

Weight **74,2600** g  
Specification



PAGE 2/2	ISSUE <b>09-12-19A</b>	SERIES <b>COUPLER</b>	PART NUMBER <b>R433706000</b>
----------	------------------------	--------------------------	-------------------------------

### **ELECTRICAL CHARACTERISTICS**

Frequency operating range :	8.5 – 10 GHz
Impedance :	50 Ω
VSWR : - Main Line	1.35 max.
- Coupled Line	1.35 max.
Nominal Coupling :	10 dB
Coupling Precision :	± 0.5 dB
Directivity :	20 dB mini
Insertion loss :	1.5 dB max.
Frequency Sensitivity :	± 0.2 dB
Average Power at 25°C	25W
Peak Power at 25°C	1500W

### **MECHANICAL CHARACTERISTICS**

Connector type :	SMA and TNC female per MIL-C 39012
Coaxial Termination :	SMA, 50 Ω, 1W

### **ENVIRONMENTAL CHARACTERISTICS**

Operating temperature :	-35°C / +70°C
Storage temperature :	-40°C / +90°C