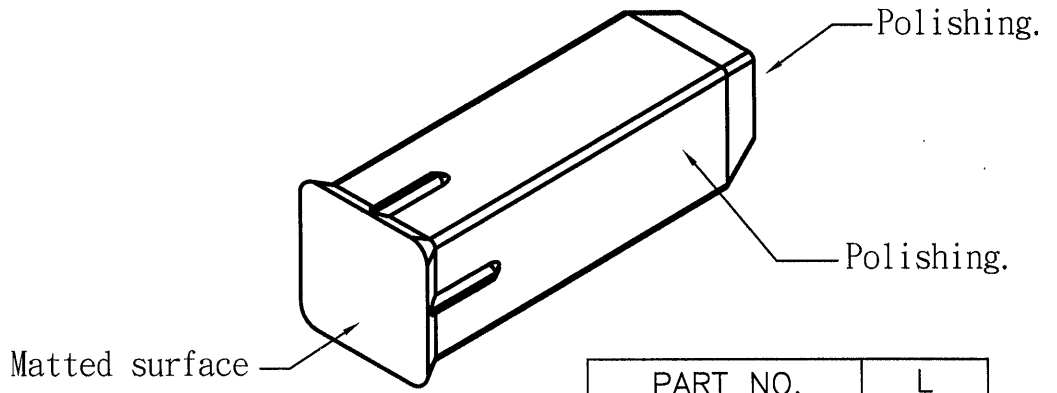
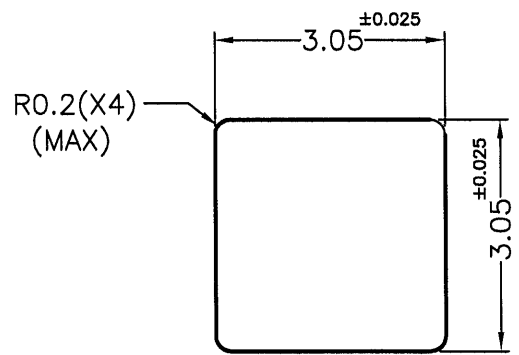
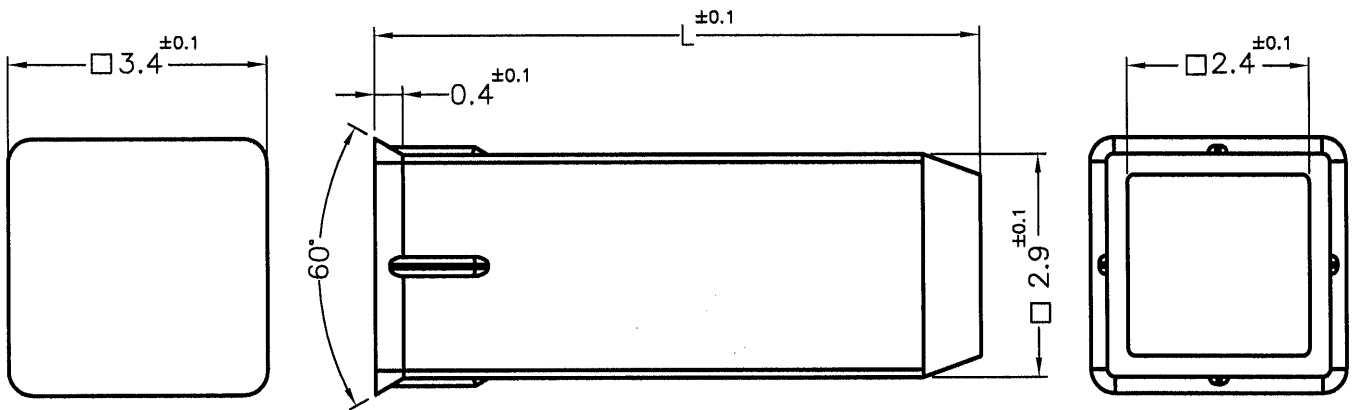


REVISIONS			
REV	DESCRIPTION	DATE	BY





PART NO.	L
LEMD2-3V0	3.0
LEMD2-8V0	8.0



MOUNTING HOLE

NOTE:MADE OF EQUIVALENT MATERIAL.
使用同等材質

 <p>康揚企業股份有限公司 KANG YANG HARDWARE ENTERPRISE CO., LTD. 康揚塑膠(東莞)有限公司 KANG YANG PLASTIC(DONG GUAN) CO., LTD. 康哲電腦配件(吳江)有限公司 KANG CHE COMPUTER COMPONENTS(WUJIANG) CO., LTD.</p>				TITLE	LIGHT PIPE	SPEC. DWG.	
				MATERIAL	PC	DATE	2016.08.05
				FINISH		DRAWN	T.C
PART NUMBER	SEE ABOVE	DRAWING NUMBER	LEMD2-HV0	COLOR	TRANSPARENT	CHECK	
SIZE	A4	SCALE	NONE	UNIT	mm	REV	A
				UNLESS OTHERWISE SPECIFIED TOLERANCE	SEE ABOVE	APPROVED	