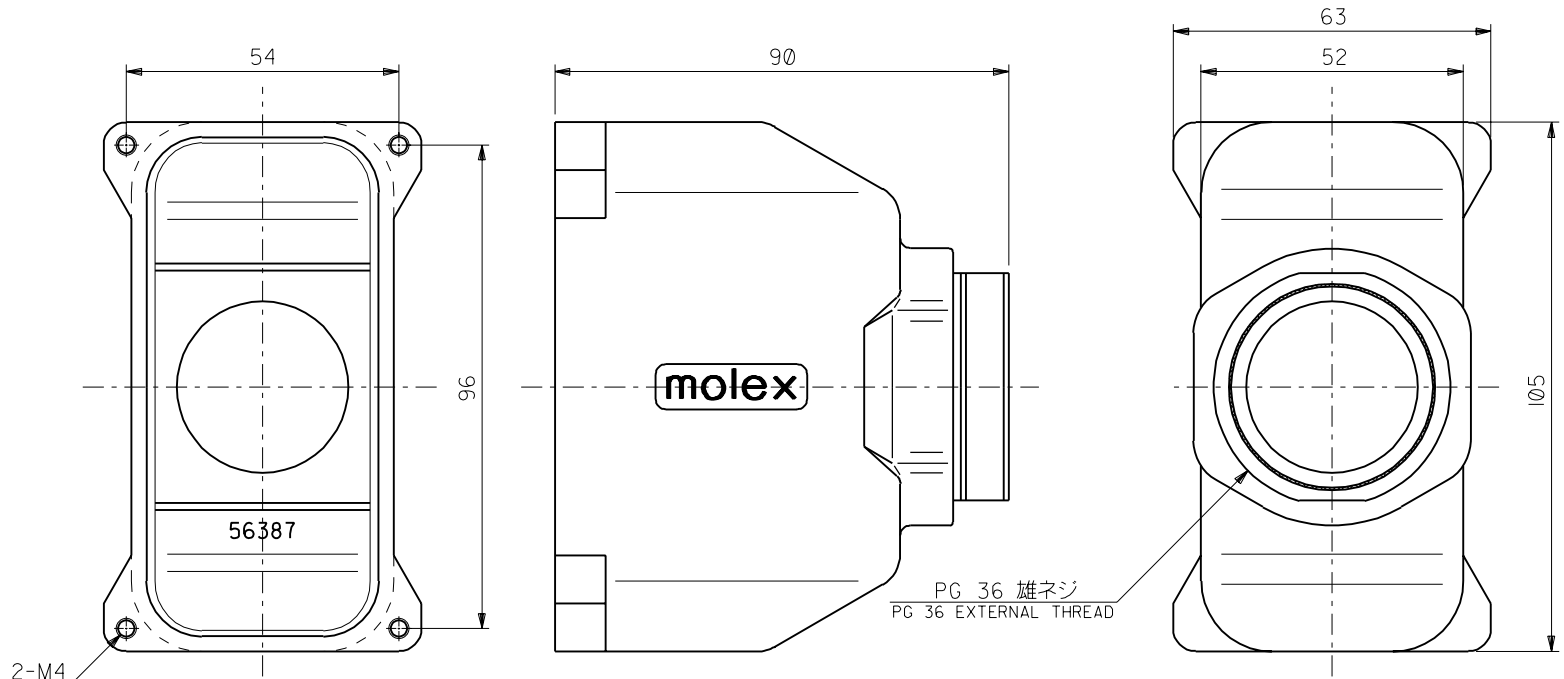


DWG. NO. SD-56387-002



- 注)  
NOTES
- 適用リセプタクルシェルアッセンブリ : 58719-\*\*\*\*  
APPLICABLE RECEPTACLE SHELL ASS'Y : 58719-\*\*\*\*
  - 適用エンドベルキャップセット : 58866-\*\*\*\*  
APPLICABLE END BELL CAP SET : 58866-\*\*\*\*
  - 適用取り付けねじ (リセプタクルシェルアッセンブリ) : M4×10  
APPLICABLE SCREW (RECEPTACLE SHELL ASS'Y) : M4×10

56387-0000	56387-0*00
MATERIAL No.	MODEL No.

DO NOT SCALE DRAWING

EC NO. DRWN: CHK: APPR:	EC NO. DRWN: CHK: APPR:	EC NO. DRWN: CHK: APPR:	EC NO. DRWN: CHK: APPR:	EC NO. DRWN: CHK: APPR:	RELEASED '01/01/22 EC NO. JD2001-0972 DRWN: S.AKIYAMA CHK: J.MIYAZAWA APPR: H.IKESUGI	MATERIAL 材料 #	GENERAL TOLERANCES: (UNLESS SPECIFIED) 一般公差 10 UNDER 未満 #0.2 10 OVER 30 UNDER 以上 未満 #0.25 30 OVER 以上 #0.3 ANGLE 角度 #3°	SCALE 1-1 DESIGN UNITS #mm □INCH DRAWN BY & DATE S. Akiyama '01/01/22 CHECKED BY & DATE H. Masawa '01/01/22 APPROVED BY & DATE H. Masawa '01/01/22 CAD FILE NAME 56387002.S01	DIMENSIONS: <input type="checkbox"/> mm <input type="checkbox"/> INCH <input checked="" type="checkbox"/> mm ONLY	THIRD ANGLE PROJECTION SHT REV REVISION ON CAD ONLY	TITLE: POWER CONN. 48P W TO W TYPE COVER MOLEX INCORPORATED	MATERIAL NO. SEE CHART DRAWING NO. SD-56387-002 SHEET NO. 1 OF 1
0 REV INS. RANGE 被覆外径 #						THIS DRAWING CONTAINS INFORMATION THAT IS PROPRIETARY TO MOLEX INCORPORATED AND SHOULD NOT BE USED WITHOUT WRITTEN PERMISSION.						SIZE B